

TECNOVIDEO

CCTV SYSTEMS AND ACCESSORIES

VSPT250HD SERIES

STAINLESS STEEL PAN & TILT UNIT

SAFE AREA

AISI316L STAINLESS STEEL CONSTRUCTION
FOR USE IN HIGHLY CORROSIVE ENVIRONMENTS
EASY INSTALLATION AND MAINTENANCE
MAXIMUM LOAD 50 KG
WEATHERPROOF STANDARD IP66/IP67
SUITABLE FOR THIRD PARTY CAMERA HOUSINGS



VSPT250HD PAN & TILT UNIT

TECHNICAL SPECIFICATIONS

GENERAL & MECHANICAL

Dimensions	See drawings next page
Operating Temperature	-20° +75°C (-4° +167° F)
Construction	AISI316L Stainless Steel
Finish	Electro-polished
Mounting	4x Ø11 on 220 PCD
Cable entries	2 M25x1,5 cable entry
Pan Angle	340° (+/-170°)
Pan Speed	0 – 10°/second
Pan Torque	150 Nm
Tilt Angle	180° (+/-90°)
Tilt Speed	0 – 4°/second
Tilt Torque	250 Nm
Rotation angle	Electronically adjustable
Backlash	<0,1°
Max preset accuracy	0,01°
Maximum load	50 kg
Control protocol	Pelco D (via RS485)
Weight	
Model	
VSPT250HD	Unit: 41kg Package: 44kg

ELECTRICAL

Supply voltage	24V~, 230V~ (+/-10%)
Power consumption	80W

CERTIFICATIONS

Ingress Protection (EN 60529)	IP66/IP67
EMC	EN 61000-6-3:2007; EN 50130-4:1995 + A1:1998 + A2:2003
LVD	EN 60950-1:2006 + A11:2009
RoHS	2011/65/EU
WEEE	2012/19/EU

MODELS

VSPT250HD/24	Standalone Pan & Tilt unit. Supply voltage: 24V~
VSPT250HD/230	Standalone Pan & Tilt unit. Supply voltage: 230V~

MOUNTING ACCESSORIES

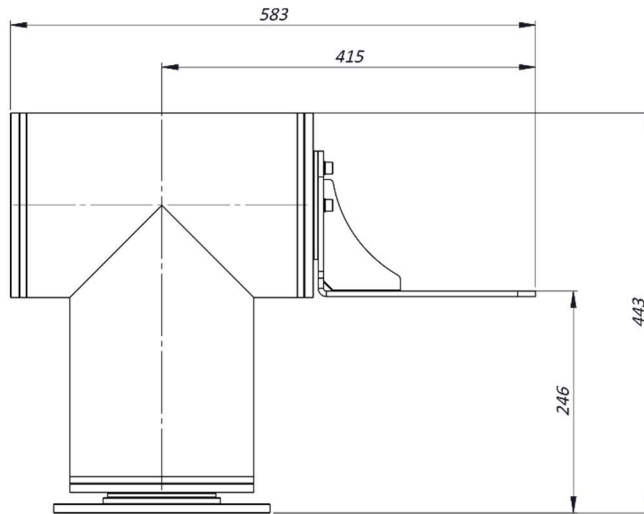
SSBK250HD	Wall mounting bracket
------------------	-----------------------

ACCESSORIES AND SPARE PARTS

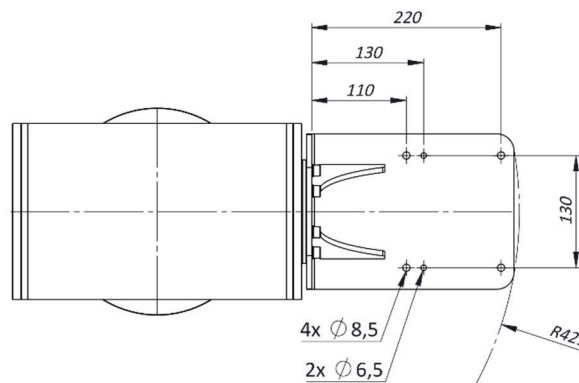
RX250DC EVO	Telemetry controller for VSPT250HD
--------------------	------------------------------------

DIMENSIONS

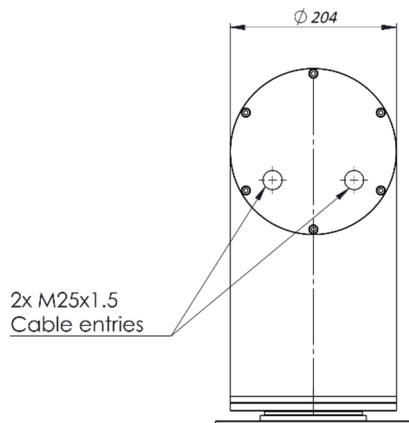
FRONT VIEW



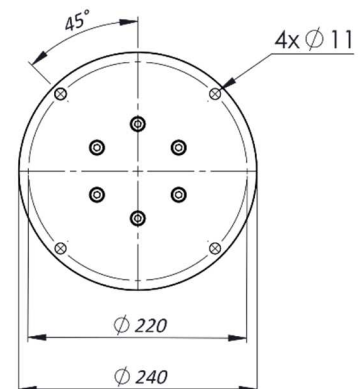
TOP VIEW



CABLE ENTRIES



MOUNTING PATTERN



The unit cannot be installed upside-down nor horizontally

Dimensions in millimetres - Tolerances according QMS - Design and products specifications subject to change without notice - rev. 20200713