

NEXT PTZ WITH AXIS

INNOVATIVE EXPLOSIONPROOF PTZ CAMERA STATION

HAZARDOUS AREA

- **INNOVATIVE PRODUCT, BEST IN CLASS TECHNOLOGY**
- CLASS1/DIV1 EXPLOSIONPROOF PTZ FOR HAZARDOUS LOCATIONS
- AISI316L STAINLESS STEEL CONSTRUCTION
- POWERED BY AXIS Q1715, DAY/NIGHT FULL HD, 21X OPTICAL ZOOM
- EDGE RECORDING
- INTEGRATED WINDOW WIPER
- VERY LOW POWER CONSUMPTION
- EASY MAINTENANCE
- IP68/69, NEMA 4X
- OPTIONAL BUILT-IN FIBER MEDIA CONVERTER
- OPTIONAL BUILT-IN IP OVER COAX CONVERTER
- OPTIONAL BUILT-IN 120VAC POWER SUPPLY



TECHNICAL SPECIFICATIONS

GENERAL & MECHANICAL

Dimensions	See dimensions drawings
Operating Temperature	CANADA: -40°C +60°C, +75°C peak (-40°F +140°F, +167°F peak) USA: -25°C +60°C, +75°C peak (-13°F +140°F, +167°F peak)
Construction	AISI316L Stainless Steel
Finish	Electro-polished
Mounting	4x Ø11 on 195 PCD
Cable entries	1x M25x1,5 or 3/4in (adapter) (second cable entry available on demand)
Wiper	Yes
Pan Angle	360° (continuous rotation)
Pan Speed	0 – 40°/second
Pan Torque	20Nm (limited with safety device)
Tilt Angle	180° (+/-90°)
Tilt Speed	0 – 20°/second
Tilt Torque	20Nm (limited with safety device)
Rotation angle	Electronically adjustable limit switches
Backlash	<0,1°
Max preset accuracy	0,04°
Control protocol	Pelco D (RS485)
Weight	Unit: 68lb / Package: 79lb

ELECTRICAL

Temperature Climatization	
- Camera Housing	T[°C] ON = 54 ±7°F (12 ± 4°C) T[°C] OFF = 68°F ± 5°F (20 ± 3°C)
- Gear motors	Electronically controlled de-icing
Available voltages	24VAC, 120VAC (+/-10%) 24VDC available on request
Power consumption	•10W min (stationary and heaters/wiper off) •85W Operating (no heaters) •130W MAX (low temperature operation)

CERTIFICATIONS

Ingress Protection	IP66/IP67/IP68/IP69 (EN 60529), NEMA 4X
IK Classification	IK10 on all sides except for the front glass, which is rated IK08
Rating	Class I, Division 1, Groups A, B, C and D T6/T5/T4 -50°C ≤ Tamb ≤ +60°C/75°C/80°C (only for Canada) Class I, Division 1, Groups B, C and D T5/T4 -25°C ≤ Tamb ≤ +60°C/75°C/80°C (only for US) Class II/III, Division 1, Groups E, F and G T5/T4 -40°C ≤ Tamb ≤ +60°C/80°C (for US/Canada) Class I Zone 1, AEx db IIC T6/T5/T4 Gb Ta=-50°C to +60°C/+75°C/+80°C Class I Zone 21, AEx tb IIIC T85°C/T100°C/T135°C Gb Ta=-50°C to +60°C/+75°C/+80°C
North American Standards	FM 3600; FM 3615; FM 3616; FM 3810; ANSI/UL 50E; ANSI/UL 60079-0; ANSI/UL 60079-1; ANSI/UL 60079-31; ANSI/IEC 60529; ANSI/UL 61010-1 CSA C22.2 No. 0.4; CSA C22.2 No. 0.5; CSA C22.2 No. 25; CSA C22.2 No. 30; CSA C22.2 No. 94; CSA C22.2 No. 60079-0; CSA C22.2 No. 60079-1; CSA C22.2 No. 60079-31; CSA C22.2 No. 60529; CSA C22.2 No. 61010-1
EMC	EN 55035; EN/IEC 61000-6-4; EN/IEC 61000-3-2; EN/IEC 61000-3-3; EN/IEC 61000-6-2; CISPR-32; CISPR-35
LVD	EN/IEC 62368-1
RoHS	2011/65/EU + 2015/863/EU (RoHS 3)
WEEE	2012/19/EU

VIDEO/CAMERA

Sensor	1/2.8" progressive scan CMOS
Resolution	1920x1080
Compression	H.264 (MPEG-4 Parte 10/AVC), H.265 (MPEG-H parte 2/HEVC), MJPEG
Streaming	Multiple, individually configurable streams in H.264, H.265 and Motion JPEG Axis Zipstream technology in H.264 and H.265 Controllable frame rate and bandwidth VBR/ABR/MBR H.264/H.265

INNOVATIVE EXPLOSIONPROOF PTZ CAMERA STATION

Frame Rate	up to 60fps
Sensitivity	Min color: 0.1 lux at 50 IRE F1.5, Min B/W: 0.02 lux at 50 IRE F1.5
Shutter Speed	1/66500s to 2s
Optical Filter	Automatically removable infrared-cut filter
White Balance	Automatic
Dynamic range	WDR
Lens	21x Autofocus Optical zoom, 4-84.6 mm, F1.6-F4.5
FOV	Horizontal: 76° (Wide), 3.6° (Tele) Vertical: 42° (Wide), 2.2° (Tele)
Analytics	Object classes: humans, vehicles (types: cars, buses, trucks, bikes). Trigger conditions: line crossing, object in area, Up to 10 scenarios, Metadata visualized with color-coded bounding boxes, Polygon include/exclude areas, Perspective configuration, ONVIF Motion Alarm event
Image settings	Saturation, contrast, brightness, sharpness, Forensic WDR: up to 120 dB depending on scene, white balance, day/night threshold, tone mapping, local contrast, EIS, exposure mode, exposure zones, defogging, compression, rotation: auto, 0°, 90°, 180°, 270° including Corridor Format, dynamic text and image overlays, polygon privacy mask, mirroring of images. Scene profiles: forensic, vivid, traffic overview
Event Triggers	Device status: above operating temperature, above or below operating temperature, below operating temperature, IP address removed, network lost, new IP address, ring power overcurrent detection, storage failure, system ready, within operating temperature, shock detection Edge storage: recording ongoing, storage disruption. I/O: digital input, manual trigger, virtual input MQTT subscribe. Scheduled and recurring: scheduled event. Video: average bitrate degradation, day-night mode, live stream open, tampering
Edge Recording	microSD/microSDHC/microSDXC slot
Iris	P-Iris

(*) for more updated information pls visit original web site of camera manufacturer

NETWORK

Interface	10BASE-T/100BASE-TX/1000BASE-T
Security	Password protection, IP address filtering, HTTPSa encryption, IEEE 802.1x (EAP-TLS) network access control, digest authentication, user access log, centralized certificate management, brute force delay protection, signed firmware, secure boot, Axis Edge Vault, Axis device ID, secure keystore (CCEAL4 certified), TPM (FIPS 140-2 certified)
ONVIF	ONVIF profile S/T/G/M
Protocols	Pv4, IPv6 USGv6, ICMPv4/ICMPv6, HTTP, HTTPSa, HTTP/2, TLSa, QoS Layer 3 DiffServ, FTP, SFTP, CIFS/SMB, SMTP, mDNS (Bonjour), UPnP®, SNMP v1/v2c/v3 (MIB-II), DNS/DNSv6, DDNS, NTP, RTSP, RTP, SRTP, TCP, UDP, IGMPv1/v2/v3, RTCP, DHCPv4/v6, SOCKS, SSH, SIP, LLDP, CDP, MQTT v3.1.1, Syslog, Link-Local address (ZeroConf)

(*) for more updated information pls visit original web site of camera manufacturer

FIBER MEDIA CONVERTER

Interface	100 Base-FX/1000BASE-X
Cabling	Singlemode (9/125 µm) /two fibers/SC connector
Maximum Distance	20km
Wavelength	1310 nm

IP OVER COAXIAL CONVERTER

Interface	10/100 Base-TX over Coaxial Cable
Bandwidth	Up to 95Mbps downlink/uplink
Maximum Distance	1800m
Technology	Broadband over Power Lines (BPL)
Interference Prevention	IEEE 1901-2010 Inter-System Protocol ISP

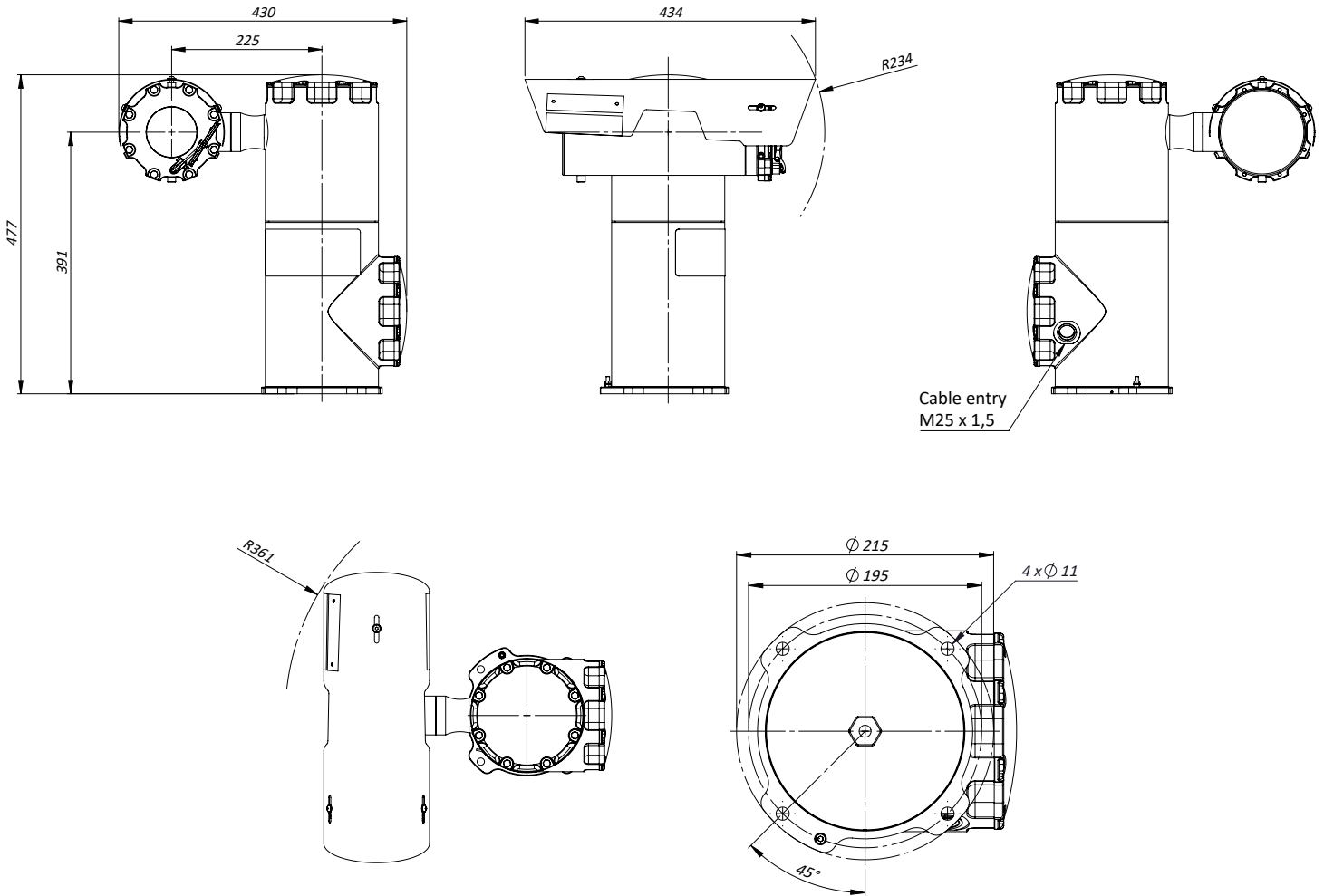
MODELS

TXPUS1TX01-IP-S	New Generation Explosionproof PTZ IP camera station, Axis 21x, 24VAC
TXPUS2TX01-IP-S	New Generation Explosionproof PTZ IP camera station, Axis 21x, 120VAC
TXPUS1TX01-SM-S	New Generation Explosionproof PTZ IP camera station, Axis 21x. SM FO Media converter, 24VAC
TXPUS2TX01-SM-S	New Generation Explosionproof PTZ IP camera station, Axis 21x. SM FO Media converter, 120VAC
TXPUS1TX01-CX-S	New Generation Explosionproof PTZ IP camera station, Axis 21x. IP over COAXIAL converter, 24VAC
TXPUS2TX01-CX-S	New Generation Explosionproof PTZ IP camera station, Axis 21x. IP over COAXIAL converter, 120VAC

ACCESSORIES

SSBK-L	Wall mounting bracket
---------------	-----------------------

DIMENSIONS



*This is only an example of integration of AXIS camera in Tecnovideo products.
AXIS Trademark and company logos, marks, product names and emblems are registered trademarks and belong to AXIS Corporation.*

Dimensions in millimetres - Tolerances according QMS - Design and products specifications subject to change without notice - rev. 20240917