

- **INNOVATIVE PRODUCT, BEST IN CLASS TECHNOLOGY**
- CLASS1/DIV1 EXPLOSIONPROOF PTZ FOR HAZARDOUS LOCATIONS
- AISI316L STAINLESS STEEL CONSTRUCTION
- 4K (8MP), H.265, 22X AUTOFOCUS OPTICAL ZOOM
- EIS ELECTRONIC IMAGE STABILIZER
- EDGE RECORDING
- INTEGRATED WINDOW WIPER
- VERY LOW POWER CONSUMPTION
- EASY MAINTENANCE
- IP68/69, NEMA 4X
- OPTIONAL BUILT-IN FIBER MEDIA CONVERTER
- OPTIONAL BUILT-IN IP OVER COAX CONVERTER
- OPTIONAL BUILT-IN 120VAC POWER SUPPLY
- CYBER SECURITY FEATURES
- NDAA COMPLIANT



TECHNICAL SPECIFICATIONS

GENERAL & MECHANICAL

Dimensions	See dimensions drawings
Operating Temperature	CANADA: -50°C +60°C, +75°C peak (-58°F +140°F, +167°F peak) USA: -25°C +60°C, +75°C peak (-13°F +140°F, +167°F peak)
Construction	AISI316L Stainless Steel
Finish	Electro-polished
Mounting	4x Ø11 on 195 PCD
Cable entries	1x M25x1,5 or 3/4in (adapter) (second cable entry available on demand)
Wiper	Yes
Pan Angle	360° (continuous rotation)
Pan Speed	0 – 40°/second
Pan Torque	20Nm (limited with safety device)
Tilt Angle	180° (+/-90°)
Tilt Speed	0 – 20°/second
Tilt Torque	20Nm (limited with safety device)
Rotation angle	Electronically adjustable limit switches
Backlash	<0,1°
Max preset accuracy	0,04°
Control protocol	Pelco D (RS485)
Weight	Unit: 68lb / Package: 79lb

ELECTRICAL

Temperature Climatization	
- Camera Housing	T[°C] ON = 54 ±7°F (12 ± 4°C) T[°C] OFF = 68°F ± 5°F (20 ± 3°C)
- Gear motors	Electronically controlled de-icing
Available voltages	24VAC, 120VAC (+/-10%) 24VDC available on request
Power consumption	•10W min (stationary and heaters/wiper off) •85W Operating (no heaters) •130W MAX (low temperature operation)

CERTIFICATIONS

Ingress Protection	IP66/IP67/IP68/IP69 (EN 60529), NEMA 4X
IK Classification	IK10 on all sides except for the front glass, which is rated IK08
Rating	Class I, Division 1, Groups A, B, C and D T6/T5/T4 -50°C ≤ Tamb ≤ +60°C/75°C/80°C (only for Canada) Class I, Division 1, Groups B, C and D T6/T5/T4 -25°C ≤ Tamb ≤ +60°C/75°C/80°C (only for US) Class II/III, Division 1, Groups E, F and G T6/T5/T4 -50°C ≤ Tamb ≤ +60°C/75°C/80°C (for US/Canada) Class 1 Zone 1 AEx/Ex db IIC T6/T5/T4 Gb -50°C ≤ Tamb ≤ +60°C/75°C/80°C Zone 21 AEx/Ex tb IIIC T85°C/T100°C/T135°C Db -50°C ≤ Tamb ≤ +60°C/75°C/80°C
Vibrations and Shock	EN/IEC 60068-2-6; EN/IEC 60068-2-27; DNV-CG-0339
North American Standards	FM 3600; FM 3615; FM 3616; FM 3810 ANSI/UL 50E; ANSI/UL 60079-0; ANSI/UL 60079-1; ANSI/UL 60079-31; ANSI/IEC 60529; ANSI/UL 61010-1 CSA C22.2 No. 0.4; CSA C22.2 No. 0.5; CSA C22.2 No. 25; CSA C22.2 No. 30; CSA C22.2 No. 94.2; CSA C22.2 No. 60079-0; CSA C22.2 No. 60079-1; CSA C22.2 No. 60079-31; CSA C22.2 No. 60529; CSA C22.2 No. 61010-1
EMC	EN 55032; EN 55035; EN/IEC 61000-6-2; EN/IEC 61000-6-4; EN/IEC 61000-3-2; EN/IEC 61000-3-3; CISPR-32; CISPR-35; DNV-CG-0339
LVD	EN/IEC 62368-1
FCC	FCC part 15B
RoHS	2011/65/EU + 2015/863/EU (RoHS 3)
WEEE	2012/19/EU

INNOVATIVE EXPLOSIONPROOF PTZ CAMERA STATION

VIDEO/CAMERA

Sensor	1/1.8" Sony Progressive CMOS, 8MP
Resolution	- Up to 3864x2180, 4K (H.264/H.265) - Up to 1920x1080, 2MP (MJPEG)
Compression	H.265/H.264/MJPEG
Streaming	Up to 4 configurable streams
Frame Rate	- 2MP: 60fps (WDR off), 30 fps (WDR on) - 4K: 30fps (H.264/H.265)
Sensitivity	Color: 0.04 lux, B/W: 0.002 lux
Shutter Speed	1 to 1/10000 s
Optical Filter	Automatically removable IR-cut filter
White Balance	Contrast White Balance
Dynamic range	WDR/HDR
Lens	22x Optical Zoom Auto Focus, 10x Digital, focal Length 6.4-138.5 mm
FOV	Horizontal: 64° (Wide), 3° (Tele) Vertical: 37° (Wide), 2° (Tele)
Analytics	Motion Detection/Tampering. OPTIONAL: intrusion detection, wrong direction, object removal, sabotage, loitering, stopped vehicle, object counting
Image settings	Color, Brightness, Sharpness, Contrast, White Balance, Exposure control, 2D/3D Noise Reduction
Event Triggers	External Input, Analytics, Network Failure Detection, Periodical Event, Manual Trigger
Event Actions	External Output Activation
Edge Recording	Micro SD/SDHC/SDXC (card not provided)
Network Storage	Support for recording to NAS
SNR	>50dB
Noise Reduction	3D Motion Compensated Noise Reduction
Iris	P-Iris, Auto-Iris
Image Stabilization	EIS

NETWORK

Interface	100BASE-TX/1000BASE-T or 100BASE-FX/1000BASE-X (fiber)
Security	User Authentication/ HTTPS/ IP Filter/ IEEE 802.1x/SNMPv3
ONVIF	ONVIF profile S/T/G/M
Protocols	IPv4/v6, TCP, UDP, RTP, RTSP, HTTP, HTTPS, ICMP, FTP, SMTP, DHCP, PPPoE, UPnP, IGMP, SNMP, QoS, ARP, NTP

FIBER MEDIA CONVERTER

Interface	100 Base-FX/1000BASE-X
Cabling	Singlemode (9/125 μm) /two fibers/SC connector
Maximum Distance	20km
Wavelength	1310 nm

IP OVER COAXIAL CONVERTER

Interface	10/100 Base-TX over Coaxial Cable
Bandwidth	Up to 95Mbps downlink/uplink
Maximum Distance	1800m
Technology	Broadband over Power Lines (BPL)
Interference Prevention	IEEE 1901-2010 Inter-System Protocol ISP

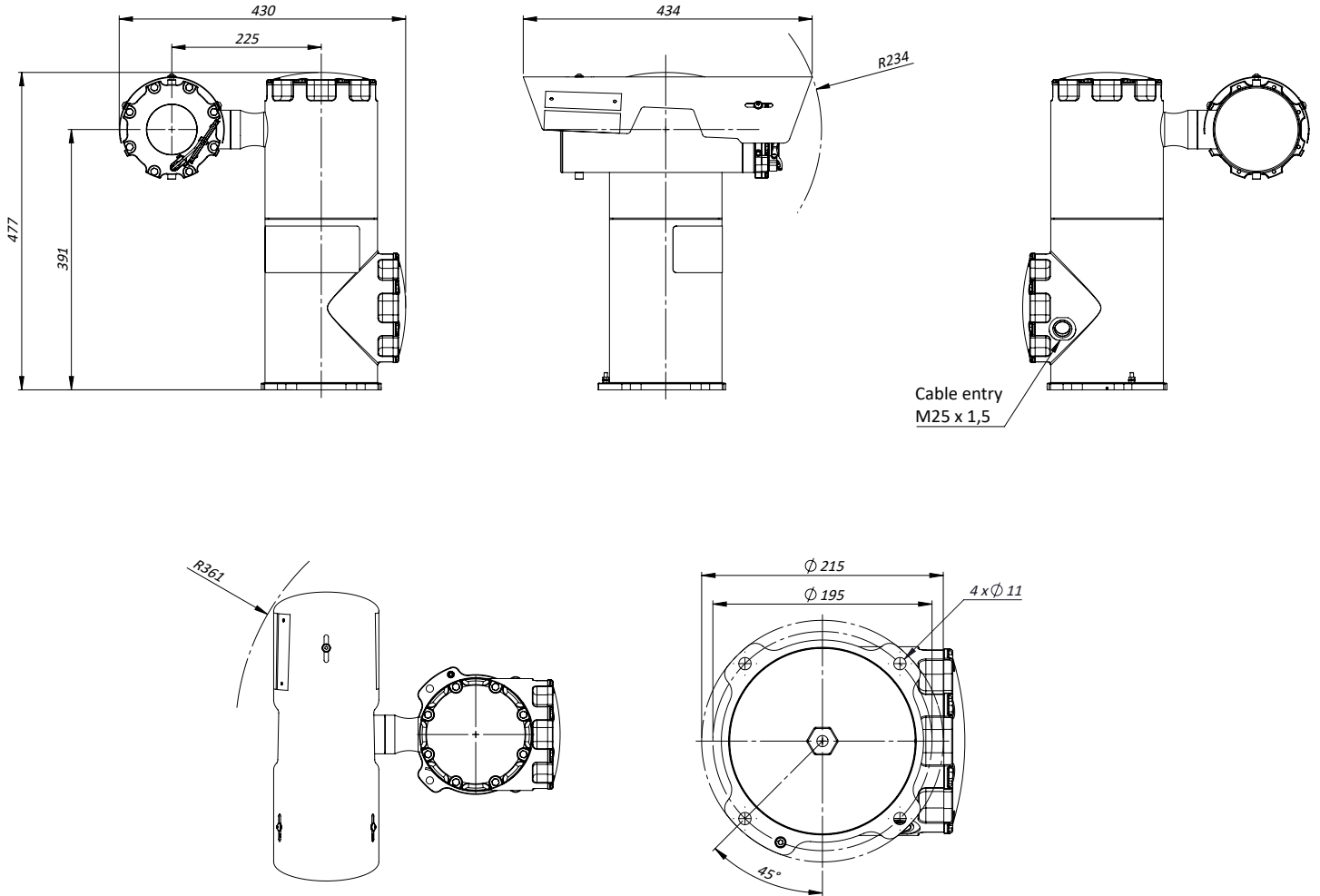
MODELS

TXPUS1TV4-IP-S	New Generation Explosionproof PTZ IP camera station 4K 22x, 24VAC
TXPUS2TV4-IP-S	New Generation Explosionproof PTZ IP camera station 4K 22x, 120VAC
TXPUS1TV4-SM-S	New Generation Explosionproof PTZ IP camera station 4K 22x. SM FO Media converter, 24VAC
TXPUS2TV4-SM-S	New Generation Explosionproof PTZ IP camera station 4K 22x. SM FO Media converter, 120VAC
TXPUS1TV4-CX-S	New Generation Explosionproof PTZ IP camera station 4K 22x. IP over COAXIAL converter, 24VAC
TXPUS2TV4-CX-S	New Generation Explosionproof PTZ IP camera station 4K 22x. IP over COAXIAL converter, 120VAC

ACCESSORIES

SSBK-L	Wall mounting bracket
---------------	-----------------------

DIMENSIONS



Dimensions in millimetres - Tolerances according QMS - Design and products specifications subject to change without notice - rev. 20250217