

NEXT THERMAL PTZ CAMERA HOUSING

INNOVATIVE EXPLOSIONPROOF THERMAL PTZ

HAZARDOUS AREA

- **INNOVATIVE PRODUCT, BEST IN CLASS TECHNOLOGY**
- CLASS1/DIV1 EXPLOSIONPROOF PTZ FOR HAZARDOUS LOCATIONS
- AISI316L STAINLESS STEEL CONSTRUCTION
- CERTIFICATION TEMPERATURE -76°F +176°F (-60°C + 80°C)
- GERMANIUM OR SAPPHIRE WINDOWS
- SUITABLE FOR MWIR OR LWIR THERMAL CAMERAS
- VERY LOW POWER CONSUMPTION
- EASY MAINTENANCE
- GRIDLESS OPTION (PATENTED)
- IP68/69, NEMA 4X
- OPTIONAL BUILT-IN FIBER MEDIA CONVERTER
- OPTIONAL BUILT-IN IP OVER COAXIAL CONVERTER
- OPTIONAL BUILT-IN 120VAC POWER SUPPLY



TECHNICAL SPECIFICATIONS

GENERAL & MECHANICAL

Dimensions	See dimensions drawings
Operating Temperature	-60° +60°C, +75°C peak (-76°F +140°F, +167°F peak)
Construction	AISI316L Stainless Steel
Finish	Electro-polished
Window	Germanium HC coated 50mm or Sapphire 50mm
Mounting	4x Ø11 on 195 PCD
Cable entries	1x M25x1,5 or 3/4in (adapter) (second cable entry available on demand)
Wiper	No
Pan Angle	360° (continuous rotation)
Pan Speed	0 – 40°/second
Pan Torque	20Nm (limited with safety device)
Tilt Angle	180° (+/-90°)
Tilt Speed	0 – 20°/second
Tilt Torque	20Nm (limited with safety device)
Rotation angle	Electronically adjustable limit switches
Backlash	<0,1°
Max preset accuracy	0,04°
Control protocol	Pelco D (RS485)
Weight	Unit: 68lb / Package: 79lb

ELECTRICAL

Temperature Climatization	
- Camera Housing	T1[°C] ON = 54 ±7°F (12 ± 4°C) T1[°C] OFF = 68°F ± 5°F (20 ± 3°C)
- Gear motors	Electronically controlled de-icing
Available voltages	24VAC, 120VAC (+/-10%) 24VDC available on request
Power consumption	10W min (stationary and de-icing/heater/wiper off), 130W MAX

CERTIFICATIONS

Ingress Protection	EN 60529 (IP68/IP69), NEMA 4X
Rating	Class I, Division 1, Groups A, B, C and D T5/T4 -50°C ≤ Tamb ≤ +60°C/80°C (only for Canada) Class I, Division 1, Groups B, C and D T5/T4 -25°C ≤ Tamb ≤ +60°C/80°C (for US/Canada) Class II/III, Division 1, Groups E, F and G T5/T4 -40°C ≤ Tamb ≤ +60°C/80°C (for US/Canada)
North American Standards	FM Class 3615; FM Class 3810; ANSI/UL 61010-1; ANSI/UL 60079-0; ANSI/UL 60079-1; ANSI/ISA 60079-31; ANSI/UL 50E; ANSI/IEC 60529 CSA C22.2 No. 0.4; CSA C22.2 No. 0.5; CAN/CSA C22.2 No. 61010-1; CAN/CSA-C22.2 No. 60079-0; CAN/CSA-C22.2 No. 60079-1; CAN/CSA-C22.2 No. 60079-31; CSA C22.2 No. 94.2; CAN/CSA C22.2 No. 60529
EMC	EN 55035; EN/IEC 61000-6-4; EN/IEC 61000-3-2; EN/IEC 61000-3-3; EN/IEC 61000-6-2; CISPR-32; CISPR-35
LVD	EN/IEC 62368-1
RoHS	2011/65/EU + 2015/863/EU (RoHS 3)
WEEE	2012/19/EU

FIBER MEDIA CONVERTER

Interface	100 Base-FX/1000BASE-X
Cabling	Singlemode (9/125 μm) /two fibers/SC connector
Maximum Distance	20km
Wavelength	1310 nm

INNOVATIVE EXPLOSIONPROOF PTZ THERMAL

IP OVER COAXIAL CONVERTER

Interface	10/100 Base-TX over Coaxial Cable
Bandwidth	Up to 95Mbps downlink/uplink
Maximum Distance	1800m
Technology	Broadband over Power Lines (BPL)
Interference Prevention	IEEE 1901-2010 Inter-System Protocol ISP

MODELS

TXPUS1IR-IP-S	New Generation Explosionproof Thermal PTZ camera housing, 24VAC
TXPUS2IR-IP-S	New Generation Explosionproof Thermal PTZ camera housing, 120VAC
TXPUS1IR-SM-S	New Generation Explosionproof Thermal PTZ camera housing, SM FO Media Converter, 24VAC
TXPUS2IR-SM-S	New Generation Explosionproof Thermal PTZ camera housing, SM FO Media Converter, 120VAC

-for IP over COAXIAL converter replace the suffix "SM" with "CX"

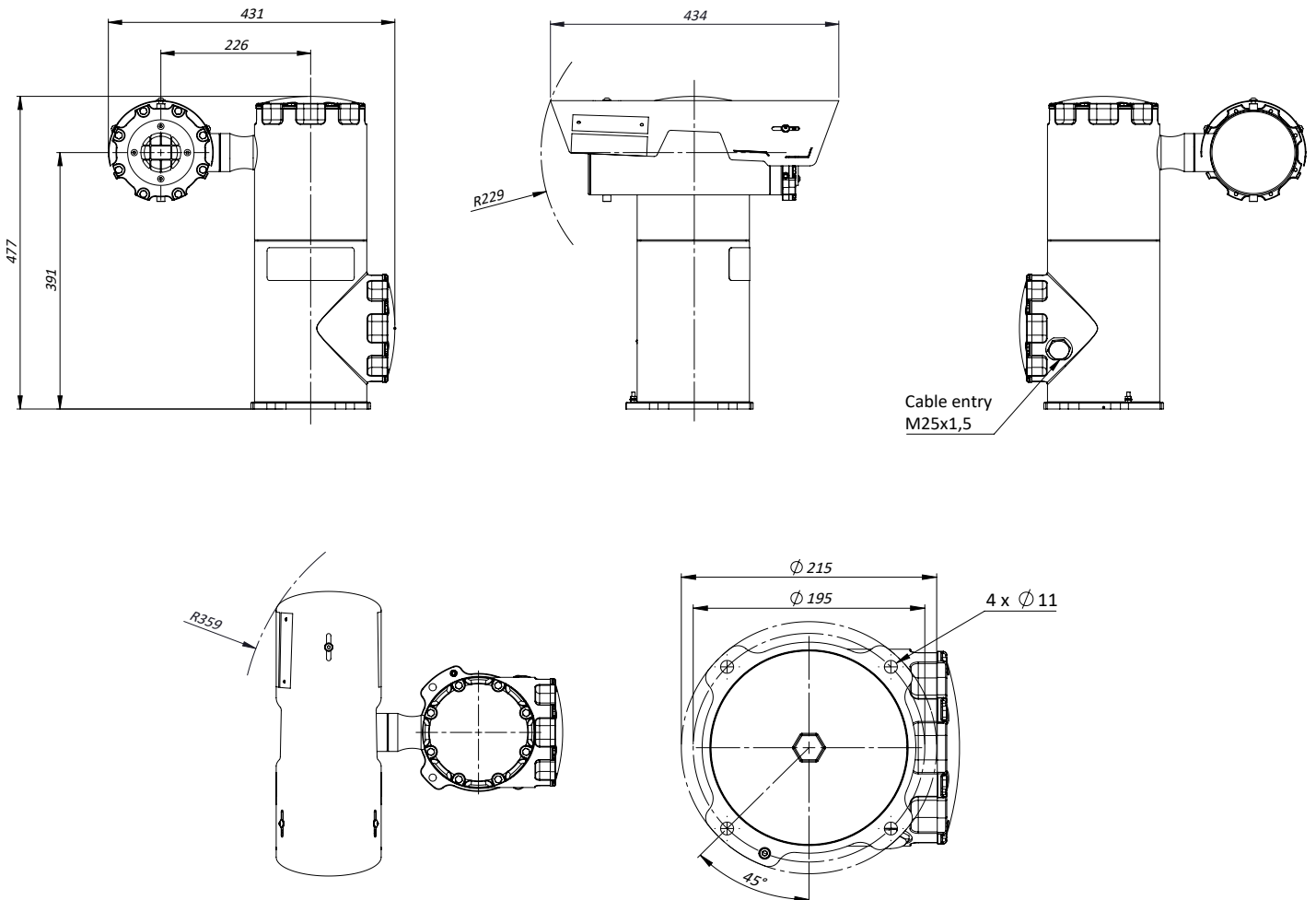
OPTIONS: add xxx at the end:

- if not specified it's Germanium 50mm with grid
- gridless Germanium 50mm option = 001
- gridless Sapphire 50mm option = 003
- gridless window for Narcissus effect, Sapphire = 006

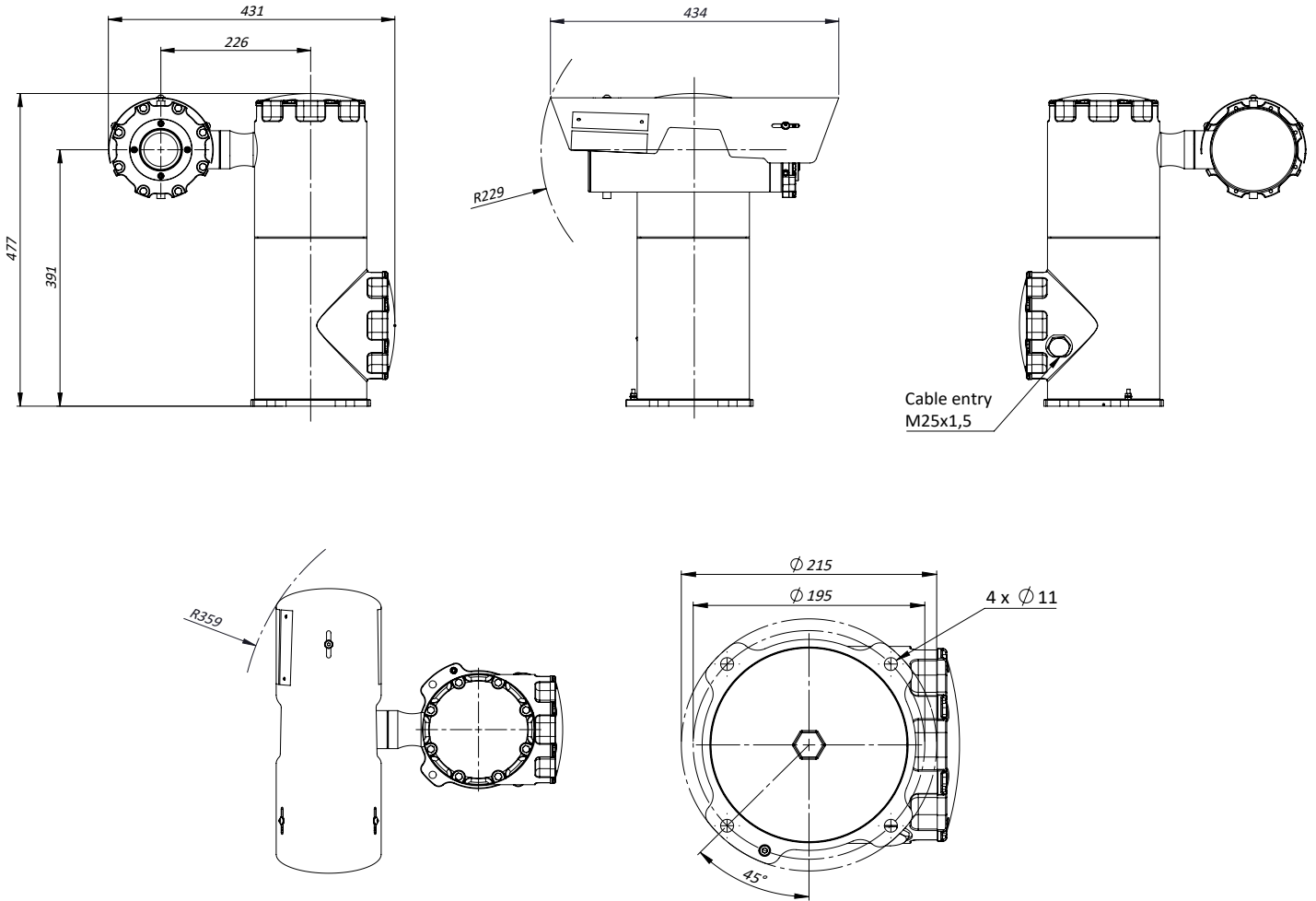
ACCESSORIES

SSBK-L	Wall mounting bracket
---------------	-----------------------

DIMENSIONS



DIMENSIONS (GRIDLESS VERSION)



MAX INTERNAL USABLE AREA

Model	Max internal dimensions [mm]	Max usable internal diameter [mm]
TXP-IR-5	80x80x180	96