

NEXT DUAL DAY/NIGHT & THERMAL PTZ CAMERA

INNOVATIVE EXPLOSIONPROOF DAY/NIGHT AND THERMAL PTZ CAMERA STATION

HAZARDOUS AREA

- **INNOVATIVE PRODUCT, BEST IN CLASS TECHNOLOGY**
- CLASS1/DIV1 EXPLOSIONPROOF PTZ FOR HAZARDOUS LOCATIONS
- AISI316L STAINLESS STEEL CONSTRUCTION
- VISIBLE: 3MP, H.265, 40X AUTOFOCUS OPTICAL ZOOM
- THERMAL: 640X512 RESOLUTION, 9HZ OR 25HZ, LWIR
- DUAL INDEPENDENT VISIBLE AND THERMAL VIDEO STREAMS
- WIDE RANGE OF THERMAL LENSES
- EIS ELECTRONIC IMAGE STABILIZER (VISIBLE)
- INTEGRATED WINDOW WIPER (VISIBLE)
- VERY LOW POWER CONSUMPTION
- EASY MAINTENANCE
- IP68/69, NEMA 4X
- OPTIONAL BUILT-IN FIBER MEDIA CONVERTER
- OPTIONAL BUILT-IN 120VAC POWER SUPPLY



TECHNICAL SPECIFICATIONS

GENERAL & MECHANICAL

Dimensions	See dimensions drawings
Operating Temperature	CANADA: -50°C +60°C, +75°C peak (-58°F +140°F, +167°F peak) USA: -25°C +60°C, +75°C peak (-13°F +140°F, +167°F peak)
Construction	AISI316L Stainless Steel
Finish	Electro-polished
Window	Germanium HC coated 50mm (Thermal)
Mounting	4x Ø11 on 195 PCD
Cable entries	1x M25x1,5 or 3/4in (adapter) (second cable entry available on demand)
Wiper	Yes (visible)
Pan Angle	360° (continuous rotation)
Pan Speed	0 – 40°/second
Pan Torque	20Nm (limited with safety device)
Tilt Angle	180° (+/-90°)
Tilt Speed	0 – 20°/second
Tilt Torque	20Nm (limited with safety device)
Rotation angle	Electronically adjustable limit switches
Backlash	<0,1°
Max preset accuracy	0,04°
Control protocol	Pelco D (RS485)
Weight	Unit: 88lb / Package: 99lb

ELECTRICAL

Temperature Climatization	
- Camera Housing	T[°C] ON = 54 ±7°F (12 ±4°C) T[°C] OFF = 68°F ± 5°F (20 ± 3°C)
- Gear motors	Electronically controlled de-icing
Available voltages	24VAC, 120VAC (+/-10%) 24VDC available on request
Power consumption	•12W min (stationary and heaters/wiper off) •87W Operating (no heaters) •170W MAX (low temperature operation)

CERTIFICATIONS

Ingress Protection	IP66/IP67/IP68/IP69 (EN 60529), NEMA 4X
IK Classification	IK10 on all sides except for the front glass, which is rated IK08
Rating	Class I, Division 1, Groups A, B, C and D T6/T5/T4 -50°C ≤ Tamb ≤ +60°C/75°C/80°C (only for Canada) Class I, Division 1, Groups B, C and D T5/T4 -25°C ≤ Tamb ≤ +60°C/75°C/80°C (only for US) Class II/III, Division 1, Groups E, F and G T5/T4 -40°C ≤ Tamb ≤ +60°C/80°C (for US/Canada) Class I Zone 1, AEx db IIC T6/T5/T4 Gb Ta=-50°C to +60°C/+75°C/+80°C Class I Zone 21, AEx tb IIIC T85°C/T100°C/T135°C Gb Ta=-50°C to +60°C/+75°C/+80°C
North American Standards	FM 3600; FM 3615; FM 3616; FM 3810; ANSI/UL 50E; ANSI/UL 60079-0; ANSI/UL 60079-1; ANSI/UL 60079-31; ANSI/IEC 60529; ANSI/UL 61010-1 CSA C22.2 No. 0.4; CSA C22.2 No. 0.5; CSA C22.2 No. 25; CSA C22.2 No. 30; CSA C22.2 No. 94; CSA C22.2 No. 60079-0; CSA C22.2 No. 60079-1; CSA C22.2 No. 60079-31; CSA C22.2 No. 60529; CSA C22.2 No. 61010-1
EMC	EN 55035; EN/IEC 61000-6-4; EN/IEC 61000-3-2; EN/IEC 61000-3-3; EN/IEC 61000-6-2; CISPR-32; CISPR-35
LVD	EN/IEC 62368-1
RoHS	2011/65/EU + 2015/863/EU (RoHS 3)
WEEE	2012/19/EU

CAMERA (DAY/NIGHT)

Sensor	1/2.8" Progressive CMOS, 3MP
Resolution	- Up to 2065x1553, 3MP (H.264/H.265) - Up to 1920x1080, 2MP (MJPEG)
Compression	H.265/H.264/MJPEG
Streaming	Up to 4 configurable streams
Frame Rate	- 2MP: 60fps (WDR off), 30 fps (WDR on) - 3MP: 30fps (H.264/H.265)
Sensitivity	Color: 0.04 lux, B/W: 0.002 lux
Shutter Speed	1 to 1/10000 s
Optical Filter	Automatically removable IR-cut filter

White Balance	Contrast White Balance
Dynamic range	WDR/HDR
Lens	40x Autofocus Optical Zoom, 10x Digital Zoom, 4.3-170mm, F1.6
FOV	Horizontal: 63.7° (Wide), 1.7° (Tele) Vertical: 49.2° (Wide), 1.3° (Tele)
Analytics	Motion Detection/Tampering. OPTIONAL: intrusion detection, wrong direction, object removal, sabotage, loitering, stopped vehicle, object counting
Image settings	Color, Brightness, Sharpness, Contrast, White Balance, Exposure control, 2D/3D Noise Reduction
Event Triggers	External Input, Analytics, Network Failure Detection, Periodical Event, Manual Trigger
Event Actions	External Output Activation
Edge Recording	Micro SD/SDHC/SDXC (card not provided)
Network Storage	Support for recording to NAS
SNR	>50dB
Noise Reduction	3D Motion Compensated Noise Reduction
Iris	P-Iris, Auto-Iris
Image Stabilization	EIS

CAMERA (THERMAL)

Sensor	VOx Microbolometer, 12µm, uncooled
Resolution	640x512 pixels
Spectral Band	LWIR 8-14µm
Compression	H.264, MJPEG
Frame Rate	9Hz (9fps) or 25Hz (25fps)
Focus Settings	Fixed manual focus, minimum focus distance
Sensitivity	≤50mK@25°, F/1.0
Shutter type	NUC
Fire Detection	Yes
Image settings	Black hot, White hot, Color Palette (18 types)
Event Actions	Recording/Capture/Sending mail/PTZ linkage/Alarm output
Analytics	Line intrusion, cross-border, and region intrusion
Alarm Trigger	Network disconnection, IP address conflict, full memory, memory error, illegal access and abnormal detection
Edge Recording	Yes
Gain	- Digital Filter and Imaging Denoising - Digital Detail Enhancement

Lens	FOV (HxV)	Min Focus Distance
	640x512	
9.1mm	48.6°x38.6°, F1.0	0.5m
13mm	32.9°x26.6°, F1.0	0.5m
19mm	22.9°x18.4°, F1.0	0.5m
25mm	17.4°x14.0°, F1.0	1m
35mm	12.5°x10.0°, F1.0	1.5m
55mm	8.6°x6.4°, F1.0	2m

NETWORK

Interface	100BASE-TX or 100BASE-FX/1000BASE-X (fiber)
Security	- User Authentication/ HTTPS/ IP Filter/ IEEE 802.1x/SNMPv3 (visible) - User Authentication/HTTPS (thermal)
ONVIF	ONVIF profile G/S/T/M (visible), ONVIF S (thermal)
Protocols	- ARP, PPPoE, IPv4/v6, ICMP, IGMP, QoS, TCP, UDP, DHCP, UPnP, SNMP, SMTP, RTP, RTSP, HTTP, HTTPS, FTP, NTP, DDNS (visible) - TCP, UDP, RTP, RTSP, RTCP, HTTP, HTTPS, ICMP, FTP, SMTP, DHCP, IGMP, QoS, NTP, DNS (thermal)

FIBER MEDIA CONVERTER

Interface	100 Base-FX/1000BASE-X
Cabling	Singlemode (9/125 µm) /two fibers/SC connector
Maximum Distance	20km
Wavelength	1310 nm

MODELS

TXPUSD1TV2-Tlxx-IP-S	New Generation Explosionproof DUAL PTZ IP camera station, 24VAC
TXPUSD2TV2-Tlxx-IP-S	New Generation Explosionproof DUAL PTZ IP camera station, 120VAC
TXPUSD1TV2-Tlxx-SM-S	New Generation Explosionproof DUAL PTZ IP camera station, SM FO Media Converter, 24VAC
TXPUSD2TV2-Tlxx-SM-S	New Generation Explosionproof DUAL PTZ IP camera station, SM FO Media Converter, 120VAC

(+) Gridless version available on request

To order the required camera configuration, please replace "Tlxx" with the TI number indicated in the table below

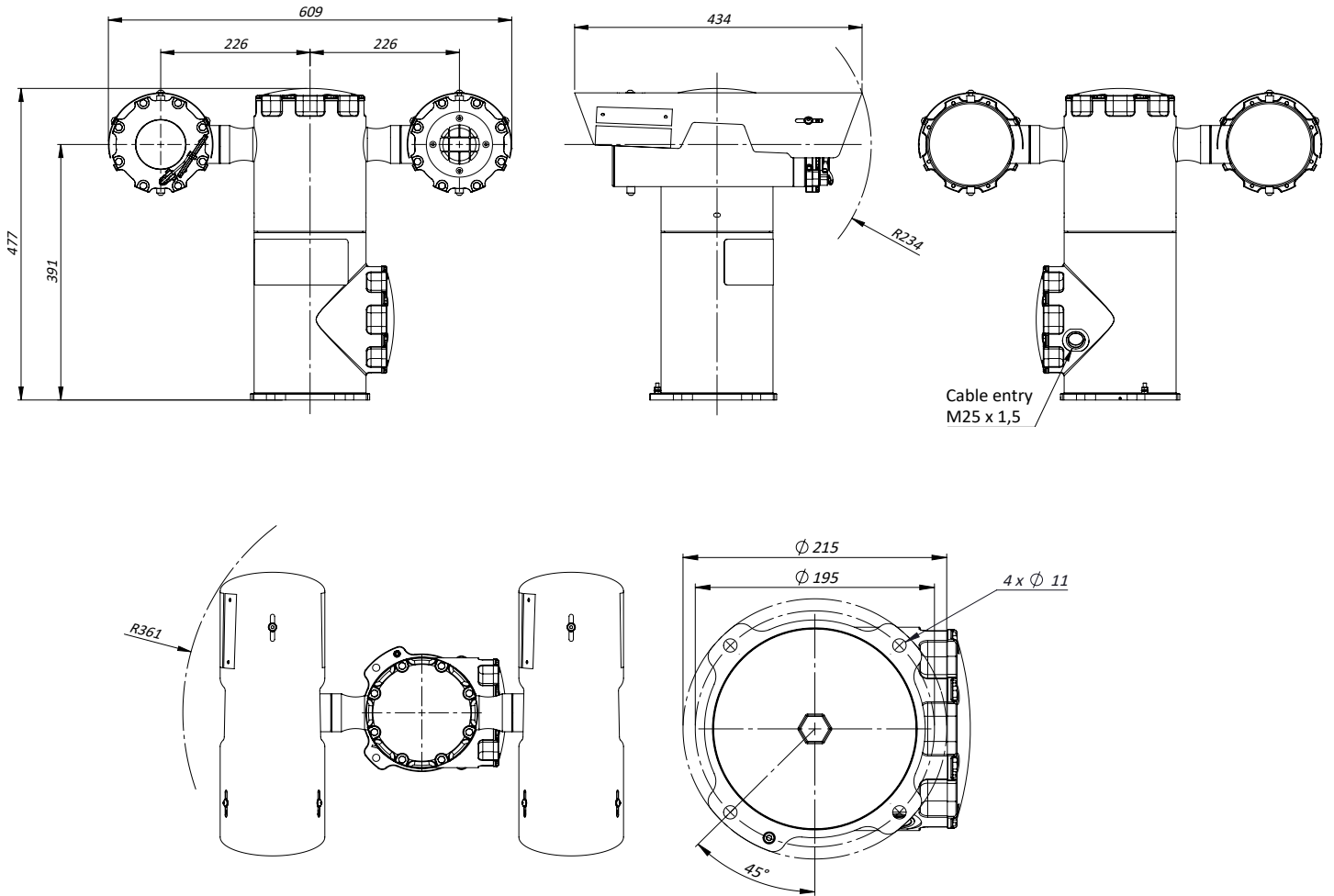
CAMERA MODEL SELECTION (TIXX)

	640x512	
	9Hz	25Hz
9.1mm	TI22	TI32
13mm	TI23	TI33
19mm	TI24	TI34
25mm	TI25	TI35
35mm	TI26	TI36
55mm	TI27	TI37

ACCESSORIES

SSBK-L	Wall mounting bracket
---------------	-----------------------

DIMENSIONS



Dimensions in millimetres - Tolerances according QMS - Design and products specifications subject to change without notice - rev. 20250228