

TECNOVIDEO

CCTV SYSTEMS AND ACCESSORIES

NEXT PTZ 3MP IRLED

INNOVATIVE EXPLOSIONPROOF PTZ CAMERA STATION WITH IR LED

HAZARDOUS AREA

- **INNOVATIVE PRODUCT, BEST IN CLASS TECHNOLOGY**
- ATEX/IECEX/UKCA/INMETRO EXPLOSIONPROOF PTZ FOR HAZARDOUS LOCATIONS
- AISI316L STAINLESS STEEL CONSTRUCTION
- CERTIFICATION TEMPERATURE -60°C +60°C
- 3MP, H.265, 33X AUTOFOCUS OPTICAL ZOOM
- EIS ELECTRONIC IMAGE STABILIZER
- EDGE RECORDING
- IR LED ILLUMINATOR
- INTEGRATED WINDOW WIPER
- VERY LOW POWER CONSUMPTION
- EASY MAINTENANCE
- IP66/67/68/69, NEMA 4X
- OPTIONAL BUILT-IN FIBER MEDIA CONVERTER
- OPTIONAL BUILT-IN IP OVER COAX CONVERTER
- OPTIONAL BUILT-IN 120VAC OR 230VAC POWER SUPPLY
- H2-READY
- CYBER SECURITY FEATURES
- NDAA COMPLIANT



TECHNICAL SPECIFICATIONS

GENERAL & MECHANICAL

Dimensions	See dimensions drawings
Operating Temperature	-60°C +60°C (-76°F +140°F)
Construction	AISI316L Stainless Steel
Finish	Electro-polished
Mounting	4x Ø11 on 195 PCD
Cable entries	1x M25x1,5 (second cable entry available on demand)
Wiper	Yes (camera)
Pan Angle	360° (continuous rotation)
Pan Speed	0 – 40°/second
Pan Torque	20Nm (limited with safety device)
Tilt Angle	180° (+/-90°)
Tilt Speed	0 – 20°/second
Tilt Torque	20Nm (limited with safety device)
Rotation angle	Electronically adjustable limit switches
Backlash	<0,1°
Max preset accuracy	0,04°
Control protocol	Pelco D (RS485)
Weight	Unit: 39kg / Package: 44kg

ELECTRICAL

Temperature Climatization	
- Camera Housing	T[°C] ON = 12 ± 4°C, T[°C] OFF = 20 ± 3°C
- Gear motors	Electronically controlled de-icing
Available voltages	24VAC, 120VAC, 230VAC (+/-10%) 24VDC available on request
Power consumption	10W min (stationary and de-icing/heater/ wiper/illuminator off), 155W MAX

CERTIFICATIONS

Ingress Protection	EN 60529 (IP66/IP67/IP68/IP69), NEMA 4X
---------------------------	---

Rating	II 2 G Ex db IIC T5/4 Gb -60°C ≤ Tamb ≤ +40/60°C II 2 D Ex tb IIIC T100/135°C Db -60°C ≤ Tamb ≤ +40/60°C
Vibrations and Shock	EN/IEC 60068-2-6; EN/IEC 60068-2-27; DNV-CG-0339
ATEX/UKEX Standards	EN 60079-0; EN 60079-1; EN 60079-31
IECEX Standards	IEC 60079-0; IEC 60079-1; IEC 60079-31
EMC	EN 55035; EN/IEC 61000-6-4; EN/IEC 61000-3-2; EN/ IEC 61000-3-3; EN/IEC 61000-6-2; CISPR-32; CISPR-35; DNV-CG-0339
LVD	EN/IEC 62368-1
FCC	FCC part 15B
RoHS	2011/65/EU + 2015/863/EU (RoHS 3)
WEEE	2012/19/EU
INMETRO	ABNT NBR IEC 60079-0; ABNT NBR IEC 60079-1; ABNT NBR IEC 60079-31

VIDEO/CAMERA

Sensor	1/2.8" Progressive CMOS, 3MP
Resolution	Up to 2065x1553 (3MP)
Compression	H.265/H.264/MJPEG
Streaming	Up to 4 configurable streams
Frame Rate	60fps (WDR off), 30 fps (WDR on)
Sensitivity	Color: 0.04 lux, B/W: 0.002 lux
Shutter Speed	1 to 1/10000 s
Optical Filter	Automatically removable IR-cut filter
White Balance	Contrast White Balance
Dynamic range	WDR/HDR
Lens	33x Autofocus Optical Zoom, 10x Digital Zoom, 4.6- 152mm, F1.6
Analytics	Motion Detection/Tampering, OPTIONAL: intrusion detection, wrong direction, object removal, sabotage, loitering, stopped vehicle, object counting
Image settings	Color, Brightness, Sharpness, Contrast, White Balance, Exposure control, 2D/3D Noise Reduction

www.tecnovideoocctv.com

Tecnovideo S.r.l. - Via A. De Gasperi, 3 36030 Villaverla (VI) ITALY - Tel. +39.0445.350444 - info@tecnovideoocctv.com

INNOVATIVE EXPLOSIONPROOF PTZ CAMERA STATION WITH IR LED

Event Triggers	External Input, Analytics, Network Failure Detection, Periodical Event, Manual Trigger
Event Actions	External Output Activation
Edge Recording	Micro SD/SDHC/SDXC (card not provided)
Network Storage	Support for recording to NAS
SNR	>50dB
Noise Reduction	3D Motion Compensated Noise Reduction
Iris	P-Iris, Auto-Iris
Image Stabilization	EIS

NETWORK

Interface	100BASE-TX or 100BASE-FX/1000BASE-X (fiber)
Security	User Authentication/ HTTPS/ IP Filter/ IEEE 802.1x/ SNMPv3
ONVIF	ONVIF profile G/S/T/M compliant
Protocols	IPv4/v6, TCP, UDP, RTP, RTSP, HTTP, HTTPS, ICMP, FTP, SMTP, DHCP, PPPoE, UPnP, IGMP, SNMP, QoS, ARP, NTP

LED ILLUMINATOR

LED	14x SMD LED
Wavelength	850nm
Beam patterns	15° or 34° circular beams

FIBER MEDIA CONVERTER

Interface	100 Base-FX/1000BASE-X
Cabling	Singlemode (9/125 µm) /two fibers/SC connector
Maximum Distance	20km
Wavelength	1310 nm

IP OVER COAXIAL CONVERTER

Interface	10/100 Base-TX over Coaxial Cable
Bandwidth	Up to 95Mbps downlink/uplink
Maximum Distance	1800m
Technology	Broadband over Power Lines (BPL)
Interference Prevention	IEEE 1901-2010 Inter-System Protocol ISP

MODELS

TXP1TV2-15LED-IP-S	New Generation Explosionproof PTZ IP camera station 3MP 33x, IR LED Illuminator 15° beam, 24VAC
TXP2TV2-15LED-IP-S	New Generation Explosionproof PTZ IP camera station 3MP 33x, IR LED Illuminator 15° beam, 120VAC
TXP3TV2-15LED-IP-S	New Generation Explosionproof PTZ IP camera station 3MP 33x, IR LED Illuminator 15° beam, 230VAC
TXP1TV2-15LED-SM-S	New Generation Explosionproof PTZ IP camera station 3MP 33x, IR LED Illuminator 15° beam, SM FO Media Converter, 24VAC
TXP2TV2-15LED-SM-S	New Generation Explosionproof PTZ IP camera station 3MP 33x, IR LED Illuminator 15° beam, SM FO Media Converter, 120VAC
TXP3TV2-15LED-SM-S	New Generation Explosionproof PTZ IP camera station 3MP 33x, IR LED Illuminator 15° beam, SM FO Media Converter, 230VAC
TXP1TV2-34LED-IP-S	New Generation Explosionproof PTZ IP camera station 3MP 33x, IR LED Illuminator 34° beam, 24VAC
TXP2TV2-34LED-IP-S	New Generation Explosionproof PTZ IP camera station 3MP 33x, IR LED Illuminator 34° beam, 120VAC
TXP3TV2-34LED-IP-S	New Generation Explosionproof PTZ IP camera station 3MP 33x, IR LED Illuminator 34° beam, 230VAC

TXP1TV2-34LED-SM-S	New Generation Explosionproof PTZ IP camera station 3MP 33x, IR LED Illuminator 34° beam, SM FO Media Converter, 24VAC
TXP2TV2-34LED-SM-S	New Generation Explosionproof PTZ IP camera station 3MP 33x, IR LED Illuminator 34° beam, SM FO Media Converter, 120VAC
TXP3TV2-34LED-SM-S	New Generation Explosionproof PTZ IP camera station 3MP 33x, IR LED Illuminator 34° beam, SM FO Media Converter, 230VAC

- for IP over COAXIAL converter replace the suffix "SM" with "CX"
- TXP4 is for 24VDC models

PRE-ASSEMBLED CABLE TAILS

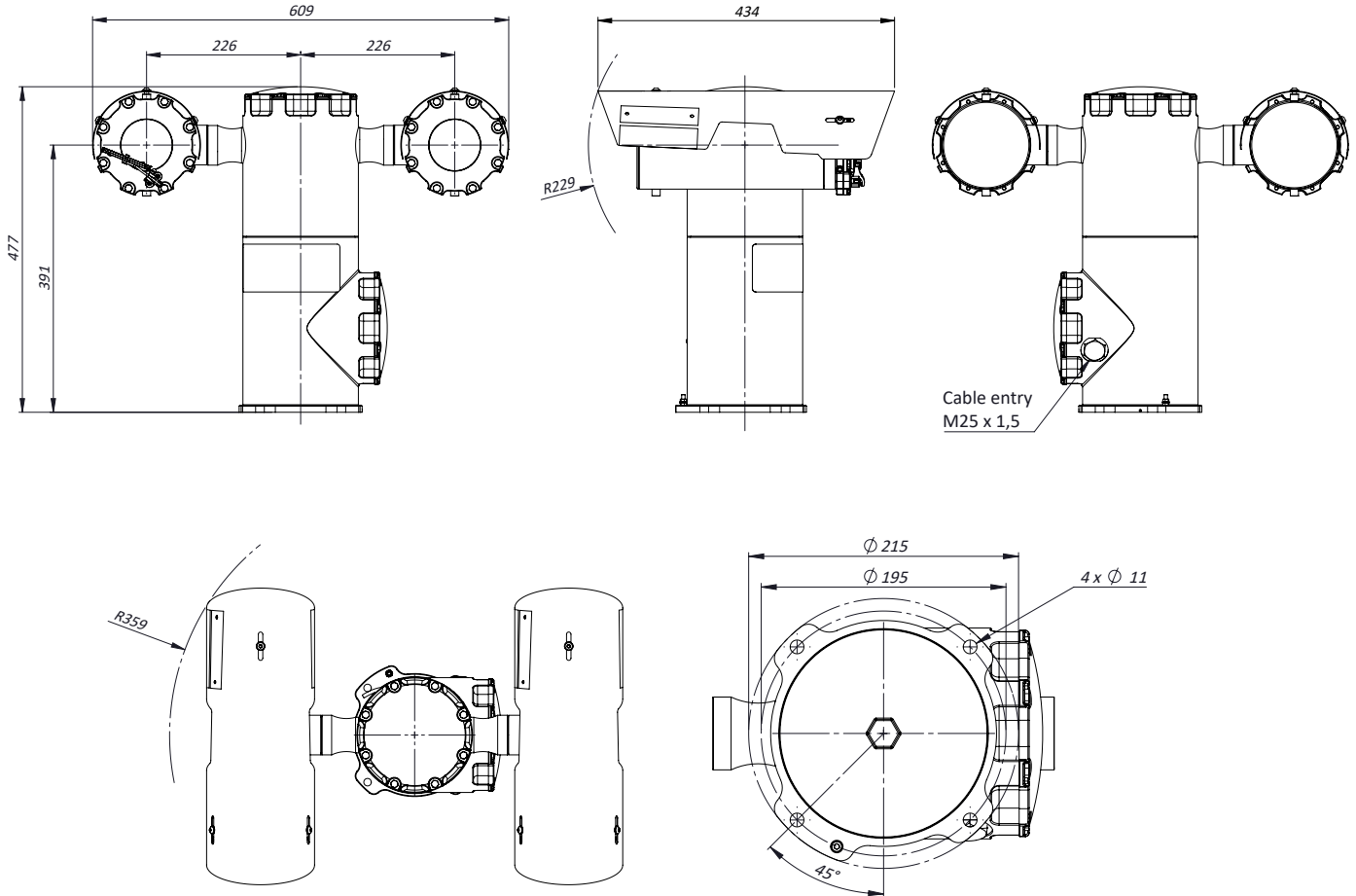
EXACCTF3-B	3 meters armoured composite cable tail (power, Ethernet, data) with 2x M25 barrier nickel plated brass glands. For PTZ camera
EXACCTF3-D	3 meters armoured composite cable tail (power, data, fiber optic) with 2x M25 barrier nickel plated brass glands. Fiber termination: SC. For PTZ camera
EXACCTF5-B	5 meters armoured composite cable tail (power, Ethernet, data) with 2x M25 barrier nickel plated brass glands. For PTZ camera
EXACCTF5-D	5 meters armoured composite cable tail (power, data, fiber optic) with 2x M25 barrier nickel plated brass glands. Fiber termination: SC. For PTZ camera
EXACCTF10-B	10 meters armoured composite cable tail (power, Ethernet, data) with 2x M25 barrier nickel plated brass glands. For PTZ camera
EXACCTF10-D	10 meters armoured composite cable tail (power, data, fiber optic) with 2x M25 barrier nickel plated brass glands. Fiber termination: SC. For PTZ camera

ACCESSORIES

SSBK-L	Wall mounting bracket
---------------	-----------------------

INNOVATIVE EXPLOSIONPROOF PTZ CAMERA STATION WITH IR LED

DIMENSIONS



Dimensions in millimetres - Tolerances according QMS - Design and products specifications subject to change without notice - rev. 20231205