

NEXT PTZ WITH HANWHA

INNOVATIVE EXPLOSIONPROOF PTZ CAMERA STATION

HAZARDOUS AREA

- **INNOVATIVE PRODUCT, BEST IN CLASS TECHNOLOGY**
- ATEX/IECEX/UKCA/INMETRO EXPLOSIONPROOF PTZ FOR HAZARDOUS LOCATIONS
- AISI316L STAINLESS STEEL CONSTRUCTION
- CERTIFICATION TEMPERATURE -60°C +80°C
- POWERED BY **WISENET XNZ-L6320**, DAY/NIGHT FULL HD, 32X OPTICAL ZOOM
- EDGE RECORDING
- INTEGRATED WINDOW WIPER
- VERY LOW POWER CONSUMPTION
- EASY MAINTENANCE
- IP66/67/68/69, NEMA 4X
- OPTIONAL BUILT-IN FIBER MEDIA CONVERTER
- OPTIONAL BUILT-IN IP OVER COAX CONVERTER
- OPTIONAL BUILT-IN 120VAC OR 230VAC POWER SUPPLY
- H2-READY



WISENET



TECHNICAL SPECIFICATIONS

GENERAL & MECHANICAL

Dimensions	See dimensions drawings
Operating Temperature	-30° +60°C, +75°C peak (-22°F +140°F, +167°F peak)
Construction	AISI316L Stainless Steel
Finish	Electro-polished
Mounting	4x Ø11 on 195 PCD
Cable entries	1x M25x1,5 (second cable entry available on demand)
Wiper	Yes
Pan Angle	360° (continuous rotation)
Pan Speed	0 – 40°/second
Pan Torque	20Nm (limited with safety device)
Tilt Angle	180° (+/-90°)
Tilt Speed	0 – 20°/second
Tilt Torque	20Nm (limited with safety device)
Rotation angle	Electronically adjustable limit switches
Backlash	<0,1°
Max preset accuracy	0,04°
Control protocol	Pelco D (RS485)
Weight	Unit: 31kg / Package: 36kg

ELECTRICAL

Temperature Climatization	
- Camera Housing	T[°C] ON = 12 ± 4°C, T[°C] OFF = 20 ± 3°C
- Gear motors	Electronically controlled de-icing
Available voltages	24VAC, 120VAC, 230VAC (+/-10%) 24VDC available on request
Power consumption	•10W min (stationary and heaters/wiper off) •85W Operating (no heaters) •130W MAX (low temperature operation)

CERTIFICATIONS

Ingress Protection	EN 60529 (IP66/IP67/IP68/IP69), NEMA 4X
IK Classification	IK10 on all sides except for the front window, which is rated IK08
Rating	II 2 G Ex db IIC T6/5/4 Gb -60°C ≤ Tamb ≤ +60/75/80°C II 2 D Ex tb IIIC T85/100/135°C Db -60°C ≤ Tamb ≤ +60/75/80°C
ATEX/UKEX Standards	EN 60079-0; EN 60079-1; EN 60079-31
IECEX Standards	IEC 60079-0; IEC 60079-1; IEC 60079-31
INMETRO	ABNT NBR IEC 60079-0; ABNT NBR IEC 60079-1; ABNT NBR IEC 60079-31
EMC	EN 55035; EN/IEC 61000-6-4; EN/IEC 61000-3-2; EN/IEC 61000-3-3; EN/IEC 61000-6-2; CISPR-32; CISPR-35
LVD	EN/IEC 62368-1
RoHS	2011/65/EU + 2015/863/EU (RoHS 3)
WEEE	2012/19/EU

VIDEO/CAMERA

Sensor	1/2.8" 2MP CMOS
Resolution	1920x1080
Compression	H.265/H.264: Main/Baseline/High, MJPEG
Streaming	Unicast(20 users) / Multicast Multiple streaming(Up to 10 profiles)
Frame Rate	H.265/H.264 : Max. 60fps/50fps(60Hz/50Hz)
Sensitivity	Color: 0.05 lux(F1.6, 1/30sec) B/W: 0.005 lux(F1.6, 1/30sec)
Shutter Speed	Minimum / Maximum / Anti flicker (2~1/12,000sec)
White Balance	ATW / AWC / Manual / Indoor / Outdoor
Dynamic range	WDR
Lens	32x Autofocus Optical Zoom, 4.44-142.6mm, F1.6(Wide) - F4.4(Tele)
FOV	Horizontal: 64.66° (Wide), 2.29° (Tele) Vertical: 38.08° (Wide), 1.30° (Tele)

INNOVATIVE EXPLOSIONPROOF PTZ CAMERA STATION

Analytics	Defocus detection, Directional detection, Fog detection, Face detection, Motion detection, Digital auto tracking, Appear/Disappear, Enter/Exit, Loitering, Tampering, Virtual line
Event Triggers	Analytics, Network disconnect, Alarm input
Edge Recording	Micro SD/SDHC/SDXC 1slot 256GB
Network Storage	NAS
Noise Reduction	SSNR V
Iris	DC auto iris
Selectable Functions	Analytics, Tamper Detection, Objects in Area, Object Loitering, Objects Crossing Beam, Object Appears or Enters Area, Direction Violated

(*) for more updated information pls visit original web site of camera manufacturer

NETWORK

Interface	RJ-45(10/100BASE-T)
Security	HTTPS(SSL) Login Authentication, Digest Login Authentication, IP Address Filtering, User access Log, 802.1X Authentication (EAP-TLS, EAP-LEAP)
ONVIF	ONVIF Profile S/G/T
Protocols	IPv4, IPv6, TCP/IP, UDP/IP, RTP(UDP), RTP(TCP), RTCP, RTSP, NTP, HTTP, HTTPS, SSL/TLS, DHCP, FTP, SMTP, ICMP, IGMP, SNMPv1/v2c/v3(MIB-2), ARP, DNS, DDNS, QoS, PIM-SM, UPnP, Bonjour, LLDP, SRTSP

(*) for more updated information pls visit original web site of camera manufacturer

FIBER MEDIA CONVERTER

Interface	100 Base-FX/1000BASE-X
Cabling	Singlemode (9/125 μm) /two fibers/SC connector
Maximum Distance	20km
Wavelength	1310 nm

IP OVER COAXIAL CONVERTER

Interface	10/100 Base-TX over Coaxial Cable
Bandwidth	Up to 95Mbps downlink/uplink
Maximum Distance	1800m
Technology	Broadband over Power Lines (BPL)
Interference Prevention	IEEE 1901-2010 Inter-System Protocol ISP

MODELS

TXP1TH02-IP-S	New Generation Explosionproof PTZ IP camera station, Wisenet 32x, 24VAC
TXP2TH02-IP-S	New Generation Explosionproof PTZ IP camera station, Wisenet 32x, 120VAC
TXP3TH02-IP-S	New Generation Explosionproof PTZ IP camera station, Wisenet 32x, 230VAC
TXP1TH02-SM-S	New Generation Explosionproof PTZ IP camera station, Wisenet 32x. SM FO Media converter, 24VAC
TXP2TH02-SM-S	New Generation Explosionproof PTZ IP camera station, Wisenet 32x. SM FO Media converter, 120VAC
TXP3TH02-SM-S	New Generation Explosionproof PTZ IP camera station, Wisenet 32x. SM FO Media converter, 230VAC
TXP1TH02-CX-S	New Generation Explosionproof PTZ IP camera station, Wisenet 32x. IP over COAXIAL converter, 24VAC
TXP2TH02-CX-S	New Generation Explosionproof PTZ IP camera station, Wisenet 32x. IP over COAXIAL converter, 120VAC
TXP3TH02-CX-S	New Generation Explosionproof PTZ IP camera station, Wisenet 32x. IP over COAXIAL converter, 230VAC

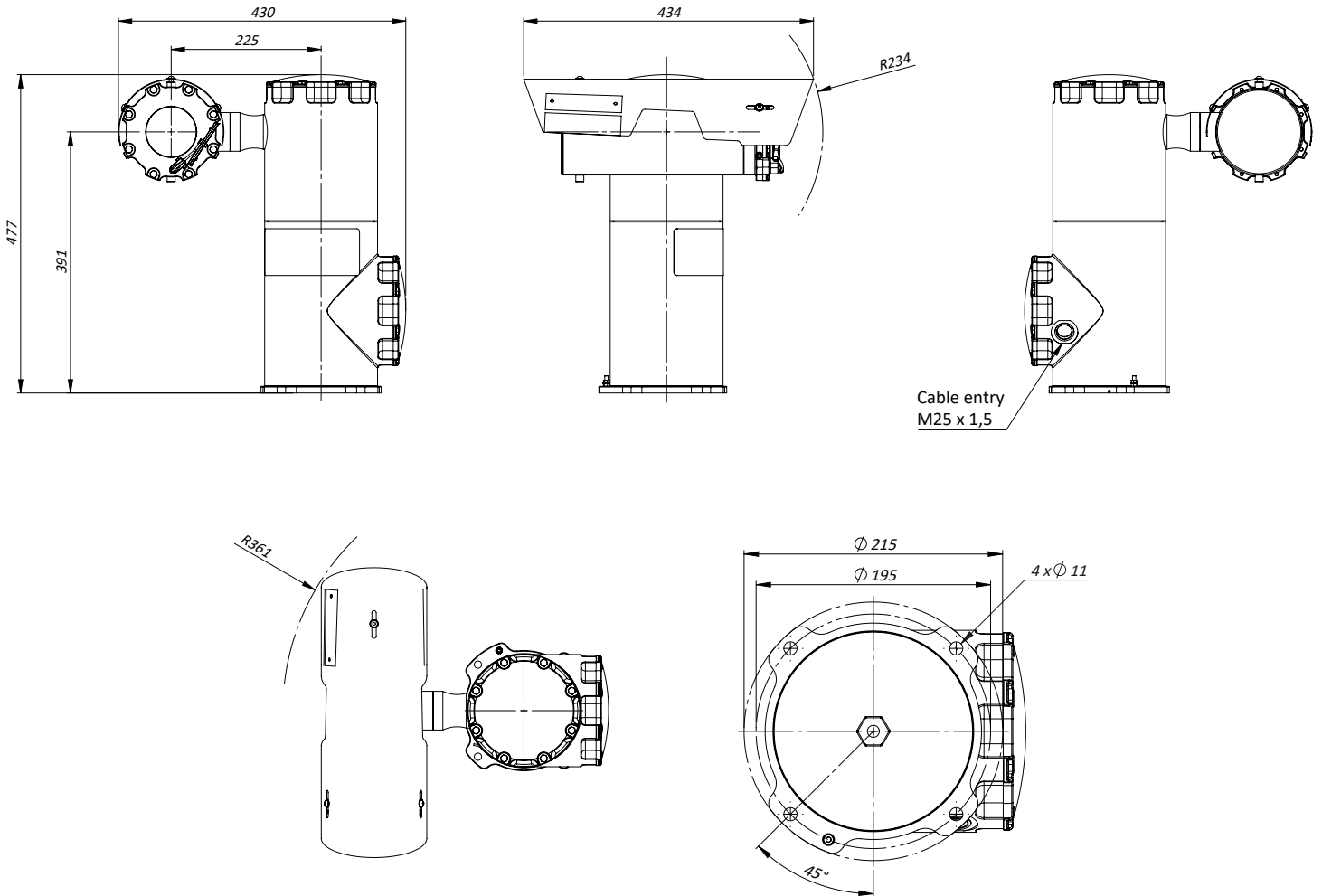
PRE-ASSEMBLED CABLE TAILS

EXACCTF3-B	3 meters armoured composite cable tail (power, Ethernet, data) with 2x M25 barrier nickel plated brass glands. For PTZ camera
EXACCTF3-D	3 meters armoured composite cable tail (power, data, fiber optic) with 2x M25 barrier nickel plated brass glands. Fiber termination: SC. For PTZ camera
EXACCTF5-B	5 meters armoured composite cable tail (power, Ethernet, data) with 2x M25 barrier nickel plated brass glands. For PTZ camera
EXACCTF5-D	5 meters armoured composite cable tail (power, data, fiber optic) with 2x M25 barrier nickel plated brass glands. Fiber termination: SC. For PTZ camera
EXACCTF10-B	10 meters armoured composite cable tail (power, Ethernet, data) with 2x M25 barrier nickel plated brass glands. For PTZ camera
EXACCTF10-D	10 meters armoured composite cable tail (power, data, fiber optic) with 2x M25 barrier nickel plated brass glands. Fiber termination: SC. For PTZ camera

ACCESSORIES

SSBK-L	Wall mounting bracket
---------------	-----------------------

DIMENSIONS



*This is only an example of integration of Wisenet camera in Tecnovideo products.
Hanwha Trademark and company logos, marks, product names and emblems are registered trademarks and belong to Hanwha Corporation.*

Dimensions in millimetres - Tolerances according QMS - Design and products specifications subject to change without notice - rev. 20241108