

NEXT THERMAL PTZ CAMERA HOUSING

INNOVATIVE EXPLOSIONPROOF THERMAL PTZ CAMERA HOUSING

HAZARDOUS AREA

- **INNOVATIVE PRODUCT, BEST IN CLASS TECHNOLOGY**
- ATEX/IECEX/UKCA/INMETRO EXPLOSIONPROOF THERMAL CAMERA FOR HAZARDOUS LOCATIONS
- AISI316L STAINLESS STEEL CONSTRUCTION
- CERTIFICATION TEMPERATURE -60°C +80°C
- GERMANIUM OR SAPPHIRE WINDOW
- SUITABLE FOR MWIR OR LWIR CAMERAS
- VERY LOW POWER CONSUMPTION
- EASY MAINTENANCE
- GRIDLESS OPTION AVAILABLE (PATENTED)
- IP66/67/68/69, NEMA 4X
- OPTIONAL BUILT-IN FIBER MEDIA CONVERTER
- OPTIONAL BUILT-IN IP OVER COAXIAL CONVERTER
- OPTIONAL BUILT-IN 120VAC OR 230VAC POWER SUPPLY
- H2-READY



TECHNICAL SPECIFICATIONS

GENERAL & MECHANICAL

Dimensions	See dimensions drawings
Operating Temperature	-60° +60°C, +75°C peak (-76°F +140°F, +167°F peak)
Construction	AISI316L Stainless Steel
Finish	Electro-polished
Window	Germanium HC coated 50mm or Sapphire 50mm
Mounting	4x Ø11 on 195 PCD
Cable entries	1x M25x1,5 (second cable entry available on demand)
Wiper	No
Pan Angle	360° (continuous rotation)
Pan Speed	0 – 40°/second
Pan Torque	20Nm (limited with safety device)
Tilt Angle	180° (+/-90°)
Tilt Speed	0 – 20°/second
Tilt Torque	20Nm (limited with safety device)
Rotation angle	Electronically adjustable limit switches
Backlash	<0,1°
Max preset accuracy	0,04°
Control protocol	Pelco D (RS485)
Weight	Unit: 31Kg / Package: 36 Kg

ELECTRICAL

Temperature Climatization	
- Camera Housing	T[°C] ON = 12 ± 4°C, T[°C] OFF = 20 ± 3°C
- Gear motors	Electronically controlled de-icing
Available voltages	24VAC, 120VAC, 230VAC (+/-10%) 24VDC available on request
Power consumption	10W min (stationary and de-icing/heater/wiper off), 130W MAX

CERTIFICATIONS

Ingress Protection	EN 60529 (IP66/IP67/IP68/IP69), NEMA 4X
Rating	II 2 G Ex db IIC T6/5/4 Gb -60°C ≤ Tamb ≤ +60/75/80°C II 2 D Ex tb IIIC T85/100/135°C Db -60°C ≤ Tamb ≤ +60/75/80°C
Vibrations and Shock	EN/IEC 60068-2-6; EN/IEC 60068-2-27; DNV-CG-0339
ATEX/UKEX Standards	EN 60079-0; EN 60079-1; EN 60079-31
IECEX Standards	IEC 60079-0; IEC 60079-1; IEC 60079-31
EMC	EN 55035; EN/IEC 61000-6-4; EN/IEC 61000-3-2; EN/IEC 61000-3-3; EN/IEC 61000-6-2; CISPR-32; CISPR-35; DNV-CG-0339
LVD	EN/IEC 62368-1
FCC	FCC part 15B
RoHS	2011/65/EU + 2015/863/EU (RoHS 3)
WEEE	2012/19/EU
INMETRO	ABNT NBR IEC 60079-0; ABNT NBR IEC 60079-1; ABNT NBR IEC 60079-31

FIBER MEDIA CONVERTER

Interface	100 Base-FX/1000BASE-X
Cabling	Singlemode (9/125 μm) /two fibers/SC connector
Maximum Distance	20km
Wavelength	1310 nm

IP OVER COAXIAL CONVERTER

Interface	10/100 Base-TX over Coaxial Cable
Bandwidth	Up to 95Mbps downlink/uplink
Maximum Distance	1800m
Technology	Broadband over Power Lines (BPL)
Interference Prevention	IEEE 1901-2010 Inter-System Protocol ISP

MODELS

TXP1IR-S	New Generation Explosionproof Thermal PTZ camera housing, 24VAC
TXP2IR-S	New Generation Explosionproof Thermal PTZ camera housing, 120VAC
TXP3IR-S	New Generation Explosionproof Thermal PTZ camera housing, 230VAC
TXP1IR-S-001	New Generation Explosionproof Thermal Gridless PTZ camera housing, 24VAC
TXP2IR-S-001	New Generation Explosionproof Thermal Gridless PTZ camera housing, 120VAC
TXP3IR-S-001	New Generation Explosionproof Thermal Gridless PTZ camera housing, 230VAC

- Built-in Fiber Optic media converter or IP over COAX converter are available upon request
- For models with Gridless Sapphire window, replace suffix -001 with -003

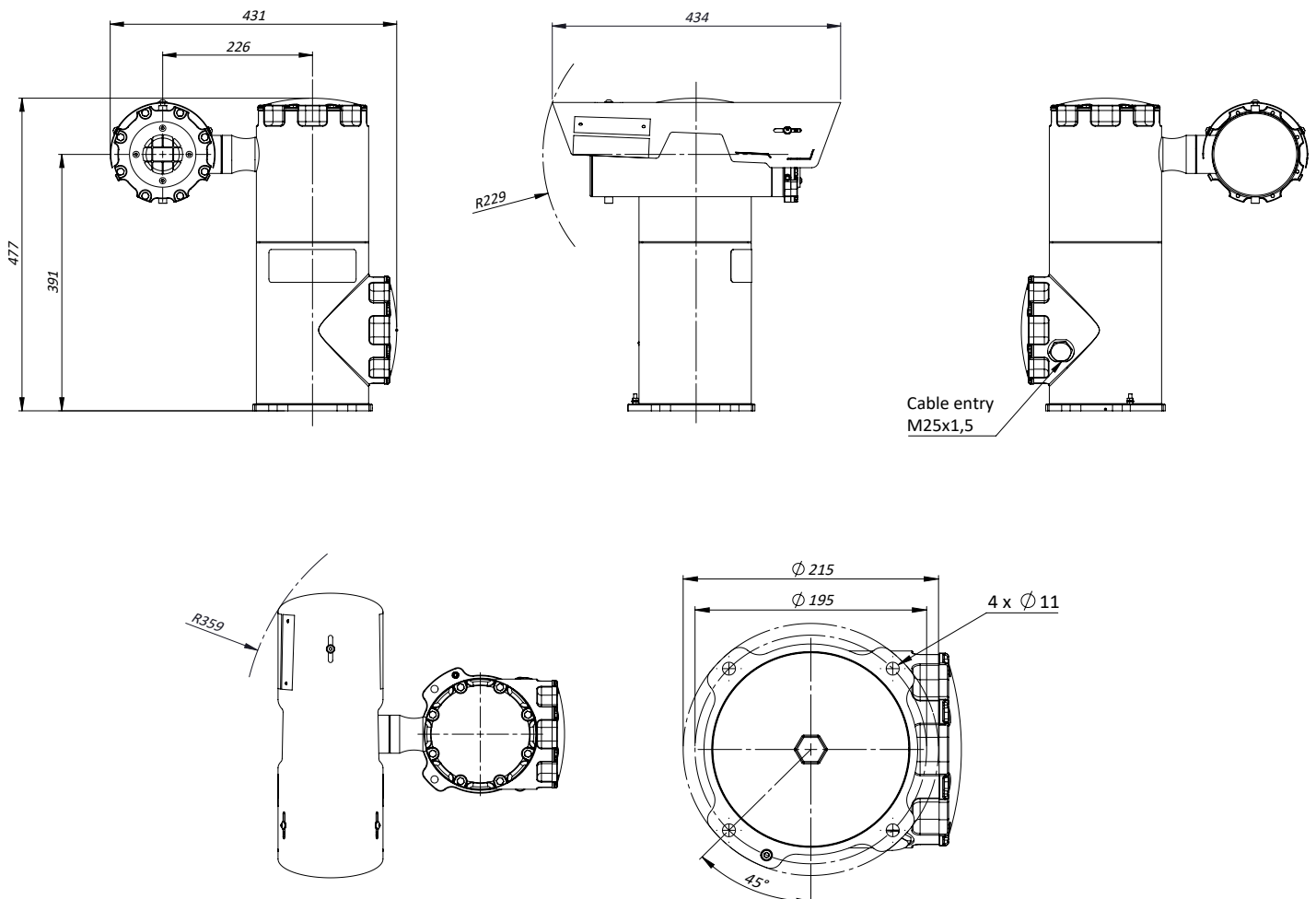
PRE-ASSEMBLED CABLE TAILS

EXACCTF3-B	3 meters armoured composite cable tail (power, Ethernet, data) with 2x M25 barrier nickel plated brass glands. For PTZ camera
EXACCTF3-D	3 meters armoured composite cable tail (power, data, fiber optic) with 2x M25 barrier nickel plated brass glands. Fiber termination: SC. For PTZ camera
EXACCTF5-B	5 meters armoured composite cable tail (power, Ethernet, data) with 2x M25 barrier nickel plated brass glands. For PTZ camera
EXACCTF5-D	5 meters armoured composite cable tail (power, data, fiber optic) with 2x M25 barrier nickel plated brass glands. Fiber termination: SC. For PTZ camera
EXACCTF10-B	10 meters armoured composite cable tail (power, Ethernet, data) with 2x M25 barrier nickel plated brass glands. For PTZ camera
EXACCTF10-D	10 meters armoured composite cable tail (power, data, fiber optic) with 2x M25 barrier nickel plated brass glands. Fiber termination: SC. For PTZ camera

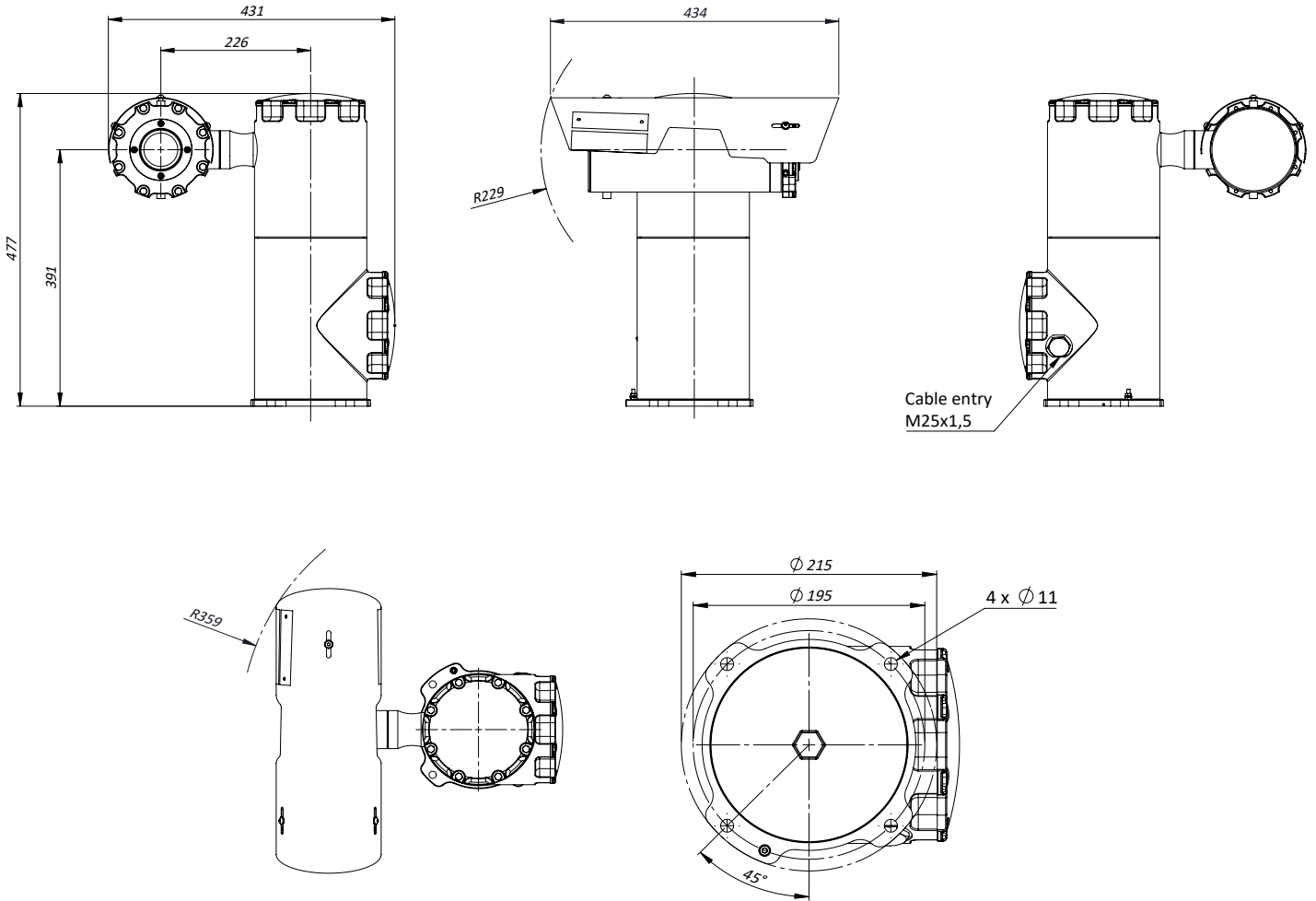
ACCESSORIES

SSBK-L	Wall mounting bracket
---------------	-----------------------

DIMENSIONS



DIMENSIONS (GRIDLESS VERSION)



MAX INTERNAL USABLE AREA

Model	Max internal dimensions [mm]	Max usable internal diameter [mm]
TXP-IR-5	80x80x180	96