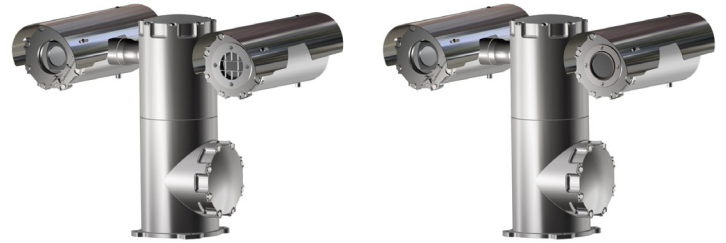


## NEXT DUAL DAY/NIGHT & THERMAL PTZ CAMERA

INNOVATIVE EXPLOSIONPROOF DAY/NIGHT AND THERMAL PTZ CAMERA STATION

HAZARDOUS AREA

- **INNOVATIVE PRODUCT, BEST IN CLASS TECHNOLOGY**
- ATEX/IECEX/UKCA/INMETRO/ECAS EX EXPLOSIONPROOF PTZ FOR HAZARDOUS LOCATIONS
- AISI316L STAINLESS STEEL CONSTRUCTION
- CERTIFICATION TEMPERATURE -60°C +80°C
- VISIBLE: 3MP, H.265, 40X AUTOFOCUS OPTICAL ZOOM
- THERMAL: 640X512 RESOLUTION, 9HZ OR 25HZ, LWIR
- DUAL INDEPENDENT VISIBLE AND THERMAL VIDEO STREAMS
- WIDE RANGE OF THERMAL LENSES
- EIS ELECTRONIC IMAGE STABILIZER (VISIBLE)
- INTEGRATED WINDOW WIPER (VISIBLE)
- VERY LOW POWER CONSUMPTION
- EASY MAINTENANCE
- IP66/67/68/69, NEMA 4X
- OPTIONAL BUILT-IN FIBER MEDIA CONVERTER
- OPTIONAL BUILT-IN 120VAC OR 230VAC POWER SUPPLY
- H2-READY



### TECHNICAL SPECIFICATIONS

#### GENERAL & MECHANICAL

<b>Dimensions</b>	See dimensions drawings
<b>Operating Temperature</b>	-60° +60°C, +75°C peak (-76°F +140°F, +167°F peak)
<b>Construction</b>	AISI316L Stainless Steel
<b>Finish</b>	Electro-polished
<b>Window</b>	Germanium HC coated 50mm (Thermal)
<b>Mounting</b>	4x Ø11 on 195 PCD
<b>Cable entries</b>	1x M25x1,5 (second cable entry available on demand)
<b>Wiper</b>	Yes (visible)
<b>Pan Angle</b>	360° (continuous rotation)
<b>Pan Speed</b>	0 – 40°/second
<b>Pan Torque</b>	20Nm (limited with safety device)
<b>Tilt Angle</b>	180° (+/-90°)
<b>Tilt Speed</b>	0 – 20°/second
<b>Tilt Torque</b>	20Nm (limited with safety device)
<b>Rotation angle</b>	Electronically adjustable limit switches
<b>Backlash</b>	<0,1°
<b>Max preset accuracy</b>	0,04°
<b>Control protocol</b>	Pelco D (RS485)
<b>Weight</b>	Unit: 40 Kg / Package: 45 Kg

#### ELECTRICAL

<b>Temperature Climatization</b>	
- Camera Housing	T[°C] ON = 12 ± 4°C, T[°C] OFF = 20 ± 3°C
- Gear motors	Electronically controlled de-icing
<b>Available voltages</b>	24VAC, 120VAC, 230VAC (+/-10%) 24VDC available on request
<b>Power consumption</b>	•12W min (stationary and heaters/wiper off) •87W Operating (no heaters) •170W MAX (low temperature operation)

#### CERTIFICATIONS

<b>Ingress Protection</b>	EN 60529 (IP66/IP67/IP68/IP69), NEMA 4X
<b>IK Classification</b>	IK10 on all sides except for the cameras front glasses, which are rated IK08
<b>Rating</b>	II 2 G Ex db IIC T6/5/4 Gb -60°C ≤ Tamb ≤ +60/75/80°C II 2 D Ex tb IIIC T85/100/135°C Db -60°C ≤ Tamb ≤ +60/75/80°C
<b>ATEX/UKEX Standards</b>	EN 60079-0; EN 60079-1; EN 60079-31
<b>IECEX Standards</b>	IEC 60079-0; IEC 60079-1; IEC 60079-31
<b>INMETRO Standards</b>	ABNT NBR IEC 60079-0; ABNT NBR IEC 60079-1; ABNT NBR IEC 60079-31
<b>ECAS Ex Standards</b>	UAE.S IEC 60079-0, UAE.S IEC 60079-1, UAE.S IEC 60079-31
<b>EMC</b>	EN 55032; EN 55035; EN/IEC 61000-3-2; EN IEC 61000-3-3; EN IEC 61000-6-2; EN IEC 61000-6-4; CISPR 32; CISPR 35
<b>LVD</b>	EN/IEC 62368-1
<b>RoHS</b>	2011/65/EU + 2015/863/EU (RoHS 3)
<b>WEEE</b>	2012/19/EU

#### CAMERA (DAY/NIGHT)

<b>Sensor</b>	1/2.8" Progressive CMOS, 3MP
<b>Resolution</b>	- Up to 2065x1553, 3MP (H.264/H.265) - Up to 1920x1080, 2MP (MJPEG)
<b>Compression</b>	H.265/H.264/MJPEG
<b>Streaming</b>	Up to 4 configurable streams
<b>Frame Rate</b>	- 2MP: 60fps (WDR off), 30 fps (WDR on) - 3MP: 30fps (H.264/H.265)
<b>Sensitivity</b>	Color: 0.04 lux, B/W: 0.002 lux
<b>Shutter Speed</b>	1 to 1/10000 s
<b>Optical Filter</b>	Automatically removable IR-cut filter
<b>White Balance</b>	Contrast White Balance
<b>Dynamic range</b>	WDR/HDR
<b>Lens</b>	40x Autofocus Optical Zoom, 10x Digital Zoom, 4.3-170mm, F1.6

<b>FOV</b>	Horizontal: 63.7° (Wide), 1.7° (Tele) Vertical: 49.2° (Wide), 1.3° (Tele)
<b>Analytics</b>	Motion Detection/Tampering. OPTIONAL: intrusion detection, wrong direction, object removal, sabotage, loitering, stopped vehicle, object counting
<b>Image settings</b>	Color, Brightness, Sharpness, Contrast, White Balance, Exposure control, 2D/3D Noise Reduction
<b>Event Triggers</b>	External Input, Analytics, Network Failure Detection, Periodical Event, Manual Trigger
<b>Event Actions</b>	External Output Activation
<b>Edge Recording</b>	Micro SD/SDHC/SDXC (card not provided)
<b>Network Storage</b>	Support for recording to NAS
<b>SNR</b>	>50dB
<b>Noise Reduction</b>	3D Motion Compensated Noise Reduction
<b>Iris</b>	P-Iris, Auto-Iris
<b>Image Stabilization</b>	EIS

## CAMERA (THERMAL)

<b>Sensor</b>	VOx Microbolometer, 12µm, uncooled
<b>Resolution</b>	640x512 pixels
<b>Spectral Band</b>	LWIR 8-14µm
<b>Compression</b>	H.264, MJPEG
<b>Frame Rate</b>	9Hz (9fps) or 25Hz (25fps)
<b>Focus Settings</b>	Fixed manual focus, minimum focus distance
<b>Sensitivity</b>	≤50mK@25°, F/1.0
<b>Shutter type</b>	NUC
<b>Fire Detection</b>	Yes
<b>Image settings</b>	Black hot, White hot, Color Palette (18 types)
<b>Event Actions</b>	Recording/Capture/Sending mail/PTZ linkage/Alarm output
<b>Analytics</b>	Line intrusion, cross-border, and region intrusion
<b>Alarm Trigger</b>	Network disconnection, IP address conflict, full memory, memory error, illegal access and abnormal detection
<b>Edge Recording</b>	Yes
<b>Gain</b>	- Digital Filter and Imaging Denoising - Digital Detail Enhancement

Lens	FOV (HxV)	Min Focus Distance
	640x512	
9.1mm	48.6°x38.6°, F1.0	0.5m
13mm	32.9°x26.6°, F1.0	0.5m
19mm	22.9°x18.4°, F1.0	0.5m
25mm	17.4°x14.0°, F1.0	1m
35mm	12.5°x10.0°, F1.0	1.5m
55mm	8.6°x6.4°, F1.0	2m

## NETWORK

<b>Interface</b>	100BASE-TX or 100BASE-FX/1000BASE-X (fiber)
<b>Security</b>	- User Authentication/ HTTPS/ IP Filter/ IEEE 802.1x/SNMPv3 (visible) - User Authentication/HTTPS (thermal)
<b>ONVIF</b>	ONVIF profile G/S/T/M (visible), ONVIF S (thermal)
<b>Protocols</b>	- ARP, PPPoE, IPv4/v6, ICMP, IGMP, QoS, TCP, UDP, DHCP, UPnP, SNMP, SMTP, RTP, RTSP, HTTP, HTTPS, FTP, NTP, DDNS (visible) - TCP, UDP, RTP, RTSP, RTCP, HTTP, HTTPS, ICMP, FTP, SMTP, DHCP, IGMP, QoS, NTP, DNS (thermal)

## FIBER MEDIA CONVERTER

<b>Interface</b>	100 Base-FX/1000BASE-X
<b>Cabling</b>	Singlemode (9/125 µm) /two fibers/SC connector
<b>Maximum Distance</b>	20km
<b>Wavelength</b>	1310 nm

## MODELS

<b>TXPD1TV2-Tlxx-IP-S</b>	New Generation Explosionproof DUAL PTZ IP camera station, 24VAC
<b>TXPD2TV2-Tlxx-IP-S</b>	New Generation Explosionproof DUAL PTZ IP camera station, 120VAC
<b>TXPD3TV2-Tlxx-IP-S</b>	New Generation Explosionproof DUAL PTZ IP camera station, 230VAC
<b>TXPD1TV2-Tlxx-SM-S</b>	New Generation Explosionproof DUAL PTZ IP camera station, SM FO Media Converter, 24VAC
<b>TXPD2TV2-Tlxx-SM-S</b>	New Generation Explosionproof DUAL PTZ IP camera station, SM FO Media Converter, 120VAC
<b>TXPD3TV2-Tlxx-SM-S</b>	New Generation Explosionproof DUAL PTZ IP camera station, SM FO Media Converter, 230VAC

(+) Gridless version available on request

To order the required camera configuration, please replace "Tlxx" with the TI number indicated in the table below

## CAMERA MODEL SELECTION (TIXX)

	640x512	
	9Hz	25Hz
9.1mm	TI22	TI32
13mm	TI23	TI33
19mm	TI24	TI34
25mm	TI25	TI35
35mm	TI26	TI36
55mm	TI27	TI37

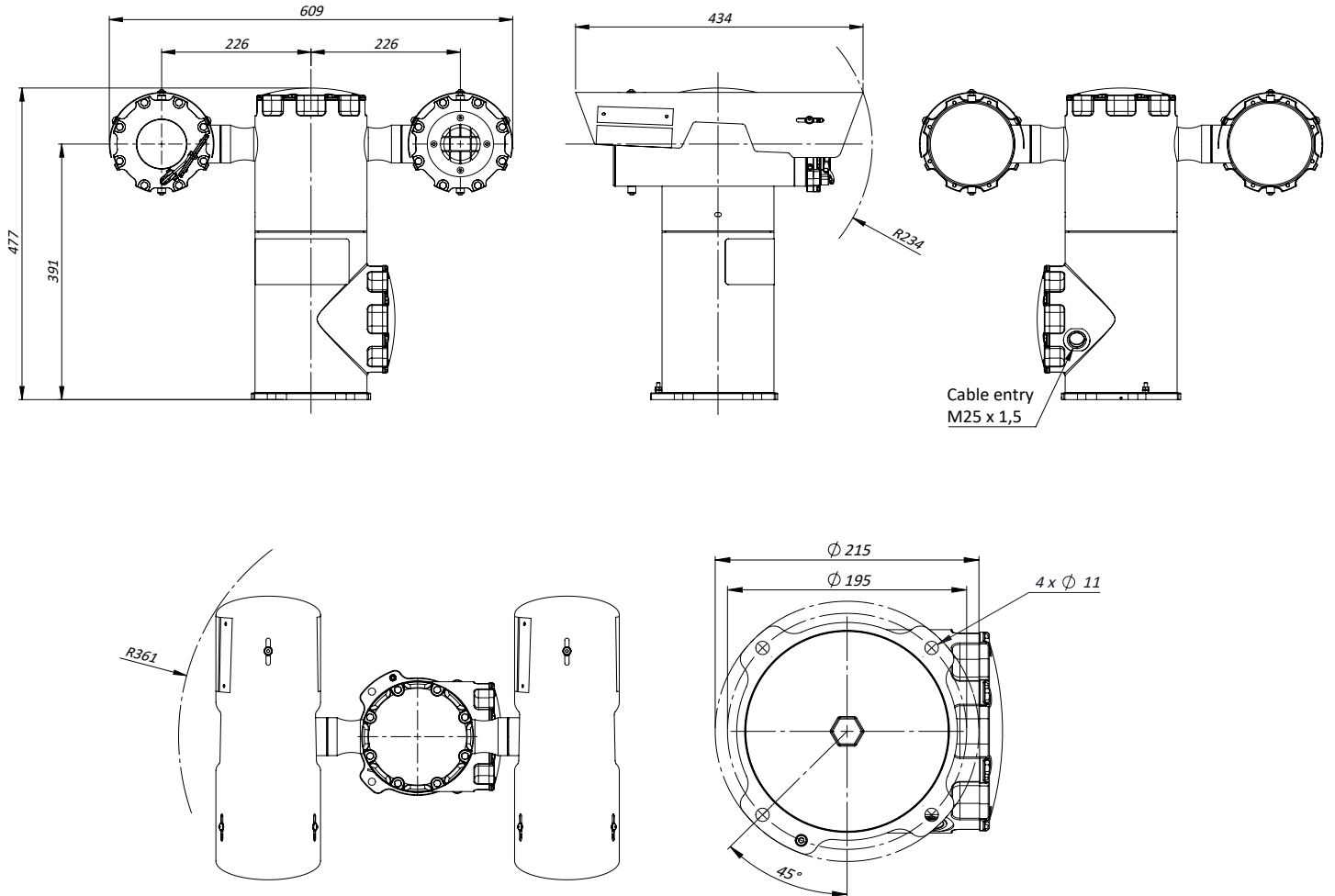
## PRE-ASSEMBLED CABLE TAILS

<b>EXACCTF3-B</b>	3 meters armoured composite cable tail (power, Ethernet, data) with 2x M25 barrier nickel plated brass glands.
<b>EXACCTF3-D</b>	3 meters armoured composite cable tail (power, data, fiber optic) with 2x M25 barrier nickel plated brass glands. Fiber termination: SC.
<b>EXACCTF5-B</b>	5 meters armoured composite cable tail (power, Ethernet, data) with 2x M25 barrier nickel plated brass glands.
<b>EXACCTF5-D</b>	5 meters armoured composite cable tail (power, data, fiber optic) with 2x M25 barrier nickel plated brass glands. Fiber termination: SC.
<b>EXACCTF10-B</b>	10 meters armoured composite cable tail (power, Ethernet, data) with 2x M25 barrier nickel plated brass glands.
<b>EXACCTF10-D</b>	10 meters armoured composite cable tail (power, data, fiber optic) with 2x M25 barrier nickel plated brass glands. Fiber termination: SC.

## ACCESSORIES

<b>SSBK-L</b>	Wall mounting bracket
---------------	-----------------------

## DIMENSIONS



Dimensions in millimetres - Tolerances according QMS - Design and products specifications subject to change without notice - rev. 20250228