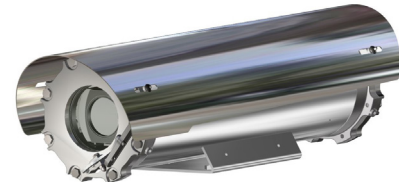


## TXFUSTX01 SERIES

INNOVATIVE EXPLOSIONPROOF NEXT FIXED CAMERA STATION

HAZARDOUS AREA



- **INNOVATIVE PRODUCT, BEST IN CLASS TECHNOLOGY**
- CLASS1/DIV1 EXPLOSIONPROOF CAMERA FOR HAZARDOUS LOCATIONS
- AISI316L STAINLESS STEEL CONSTRUCTION
- POWERED BY AXIS Q1715, DAY/NIGHT FULL HD, 21X OPTICAL ZOOM
- EDGE RECORDING
- OPTIONAL WINDOW WIPER
- IP68/69, NEMA 4X
- OPTIONAL BUILT-IN FIBER MEDIA CONVERTER
- OPTIONAL BUILT-IN IP OVER COAXIAL CONVERTER
- OPTIONAL BUILT-IN 120VAC POWER SUPPLY



### TECHNICAL SPECIFICATIONS

#### GENERAL & MECHANICAL

<b>Dimensions</b>	See dimensions drawings
<b>Operating Temperature</b>	CANADA: -40°C +60°C, +75°C peak (-40°F +140°F, +167°F peak) USA: -25°C +60°C, +75°C peak (-13°F +140°F, +167°F peak)
<b>Construction</b>	AISI316L Stainless Steel
<b>Finish</b>	Electro-polished
<b>Mounting</b>	4x M5 on 101,6 PCD 4x M6 on 90x130
<b>Cable entries</b>	2xM25x1.5 and 2x 3/4in (adapter)
<b>Wiper</b>	Optional
<b>Weight</b>	Unit: 23lb / Package: 26lb (version with wiper)

#### ELECTRICAL

<b>Temperature Climatization</b>	T[°C] ON = 54 ±7°F (12 ± 4°C) T[°C] OFF = 68°F ± 5°F (20 ± 3°C)
<b>Available voltages</b>	24VAC, 120VAC (+/-10%) 24VDC or PoE available on request
<b>Power consumption</b>	40W MAX

#### CERTIFICATIONS

<b>Ingress Protection</b>	IP66/IP67/IP68/IP69 (EN 60529), NEMA 4X
<b>IK Classification</b>	IK10 on all sides except for the front glass, which is rated IK08
<b>Rating</b>	Class I, Division 1, Groups A, B, C and D T6/T5/T4 -50°C ≤ Tamb ≤ +60°C/75°C/80°C (only for Canada) Class I, Division 1, Groups B, C and D T5/T4 -25°C ≤ Tamb ≤ +60°C/75°C/80°C (only for US) Class II/III, Division 1, Groups E, F and G T5/T4 -40°C ≤ Tamb ≤ +60°C/80°C (for US/Canada) Class I Zone 1, AEx db IIC T6/T5/T4 Gb Ta=-50°C to +60°C/+75°C/+80°C Class I Zone 21, AEx tb IIIC T85°C/T100°C/T135°C Gb Ta=-50°C to +60°C/+75°C/+80°C
<b>North American Standards</b>	FM 3600; FM 3615; FM 3616; FM 3810; ANSI/UL 50E; ANSI/UL 60079-0; ANSI/UL 60079-1; ANSI/UL 60079-31; ANSI/IEC 60529; ANSI/UL 61010-1 CSA C22.2 No. 0.4; CSA C22.2 No. 0.5; CSA C22.2 No. 25; CSA C22.2 No. 30; CSA C22.2 No. 94; CSA C22.2 No. 60079-0; CSA C22.2 No. 60079-1; CSA C22.2 No. 60079-31; CSA C22.2 No. 60529; CSA C22.2 No. 61010-1
<b>EMC</b>	EN 55032; EN 55035; EN/IEC 61000-3-2; EN/IEC 61000-3-3; EN/IEC 61000-6-2; EN/IEC 61000-6-4; CISPR-32; CISPR-35
<b>LVD</b>	EN/IEC 62368-1
<b>RoHS</b>	2011/65/EU + 2015/863/EU (RoHS 3)
<b>WEEE</b>	2012/19/EU

## INNOVATIVE EXPLOSIONPROOF NEXT FIXED CAMERA STATION

### VIDEO/CAMERA

<b>Sensor</b>	1/2.8" progressive scan CMOS
<b>Resolution</b>	1920x1080
<b>Compression</b>	H.264 (MPEG-4 Parte 10/AVC), H.265 (MPEG-H parte 2/HEVC), MJPEG
<b>Streaming</b>	Multiple, individually configurable streams in H.264, H.265 and Motion JPEG Axis Zipstream technology in H.264 and H.265 Controllable frame rate and bandwidth VBR/ABR/MBR H.264/H.265
<b>Frame Rate</b>	up to 60fps
<b>Sensitivity</b>	Min color: 0.1 lux at 50 IRE F1.5, Min B/W: 0.02 lux at 50 IRE F1.5
<b>Shutter Speed</b>	1/66500s to 2s
<b>Optical Filter</b>	Automatically removable infrared-cut filter
<b>White Balance</b>	Automatic
<b>Dynamic range</b>	WDR
<b>Lens</b>	21x Autofocus Optical zoom, 4-84.6 mm, F1.6-F4.5
<b>FOV</b>	Horizontal: 76° (Wide), 3.6° (Tele) Vertical: 42° (Wide), 2.2° (Tele)
<b>Analytics</b>	Object classes: humans, vehicles (types: cars, buses, trucks, bikes). Trigger conditions: line crossing, object in area, Up to 10 scenarios, Metadata visualized with color-coded bounding boxes, Polygon include/exclude areas, Perspective configuration, ONVIF Motion Alarm event
<b>Image settings</b>	Saturation, contrast, brightness, sharpness, Forensic WDR: up to 120 dB depending on scene, white balance, day/night threshold, tone mapping, local contrast, EIS, exposure mode, exposure zones, defogging, compression, rotation: auto, 0°, 90°, 180°, 270° including Corridor Format, dynamic text and image overlays, polygon privacy mask, mirroring of images. Scene profiles: forensic, vivid, traffic overview
<b>Event Triggers</b>	Device status: above operating temperature, above or below operating temperature, below operating temperature, IP address removed, network lost, new IP address, ring power overcurrent detection, storage failure, system ready, within operating temperature, shock detection Edge storage: recording ongoing, storage disruption. I/O: digital input, manual trigger, virtual input MQTT subscribe. Scheduled and recurring: scheduled event. Video: average bitrate degradation, day-night mode, live stream open, tampering
<b>Edge Recording</b>	microSD/microSDHC/microSDXC slot
<b>Iris</b>	P-Iris

(\*) for more updated information pls visit original web site of camera manufacturer

### NETWORK

<b>Interface</b>	10BASE-T/100BASE-TX/1000BASE-T
<b>Security</b>	Password protection, IP address filtering, HTTPSa encryption, IEEE 802.1x (EAP-TLS) network access control, digest authentication, user access log, centralized certificate management, brute force delay protection, signed firmware, secure boot, Axis Edge Vault, Axis device ID, secure keystore (CCEAL4 certified), TPM (FIPS 140-2 certified)
<b>ONVIF</b>	ONVIF profile S/T/G/M
<b>Protocols</b>	Pv4, IPv6 USGv6, ICMPv4/ICMPv6, HTTP, HTTPSa, HTTP/2, TLSa, QoS Layer 3 DiffServ, FTP, SFTP, CIFS/SMB, SMTP, mDNS (Bonjour), UPnP®, SNMP v1/v2c/v3 (MIB-II), DNS/DNSv6, DDNS, NTP, RTSP, RTP, SRTP, TCP, UDP, IGMPv1/v2/v3, RTCP, DHCPv4/v6, SOCKS, SSH, SIP, LLDP, CDP, MQTT v3.1.1, Syslog, Link-Local address (ZeroConf)

(\*) for more updated information pls visit original web site of camera manufacturer

### FIBER MEDIA CONVERTER

<b>Interface</b>	100 Base-FX/1000BASE-X
<b>Cabling</b>	Singlemode (9/125 μm) /two fibers/SC connector
<b>Maximum Distance</b>	20km
<b>Wavelength</b>	1310 nm

### IP OVER COAXIAL CONVERTER

<b>Interface</b>	10/100 Base-TX over Coaxial Cable
<b>Bandwidth</b>	Up to 95Mbps downlink/uplink
<b>Maximum Distance</b>	1800m
<b>Technology</b>	Broadband over Power Lines (BPL)
<b>Interference Prevention</b>	IEEE 1901-2010 Inter-System Protocol ISP

### MODELS

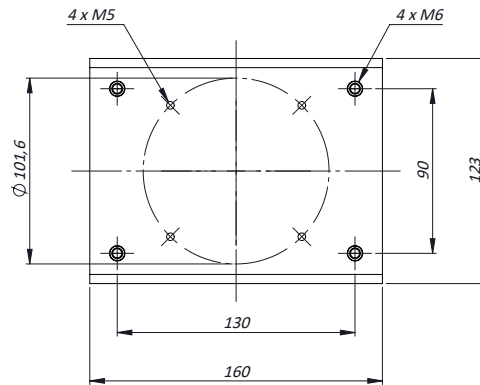
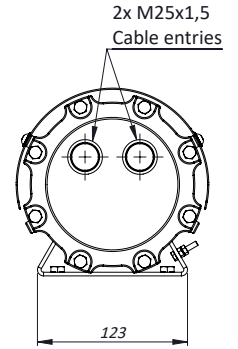
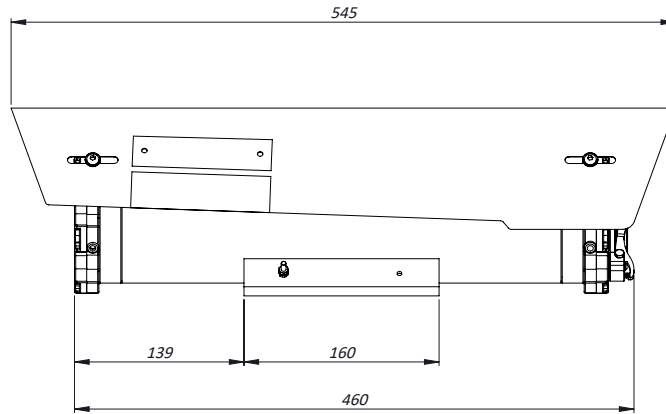
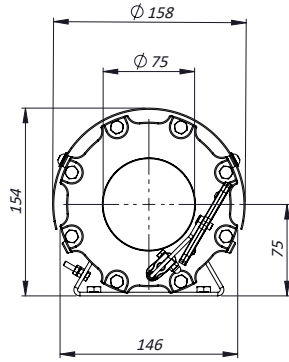
<b>TXFUS2TX01-IP-M</b>	New Generation Explosionproof FIXED IP camera station with AXIS Q1715, 120VAC
<b>TXFUS1TX01-IP-M</b>	New Generation Explosionproof FIXED IP camera station with AXIS Q1715, 24VAC
<b>TXFUS2TX01W-IP-M</b>	New Generation Explosionproof FIXED IP camera station with AXIS Q1715, wiper, 120VAC
<b>TXFUS1TX01W-IP-M</b>	New Generation Explosionproof FIXED IP camera station with AXIS Q1715, wiper, 24VAC

- for fiber media converter replace the suffix "IP" with "SM"  
- for IP over COAXIAL converter replace the suffix "IP" with "CX"  
- All the above models include sunshield and heater

### ACCESSORIES

<b>SSBK-M</b>	Wall mounting bracket
<b>SSPM-M</b>	Pole mount adapter for SSBK-M
<b>SSPTM-M</b>	Top pole mount adapter
<b>SSDM-M</b>	Adapter to pair with IR LED illuminator on a single SSBK-M bracket

## DIMENSIONS



*This is only an example of integration of AXIS camera in Tecnovideo products.  
AXIS Trademark and company logos, marks, product names and emblems are registered trademarks and belong to AXIS Corporation.*

Dimensions in millimetres - Tolerances according QMS - Design and products specifications subject to change without notice - rev. 20250423