

- **INNOVATIVE PRODUCT, BEST IN CLASS TECHNOLOGY**
- CLASS1/DIV1 EXPLOSIONPROOF THERMAL CAMERA FOR HAZARDOUS LOCATIONS
- AISI316L STAINLESS STEEL CONSTRUCTION
- CERTIFICATION TEMPERATURE -76°F +176°F
- 640X512 RESOLUTION, 9HZ OR 25HZ, LWIR
- WIDE RANGE OF FIXED LENSES
- GERMANIUM WINDOW
- IP68/69, NEMA 4X
- OPTIONAL BUILT-IN FIBER MEDIA CONVERTER
- OPTIONAL BUILT-IN IP OVER COAXIAL CONVERTER
- OPTIONAL BUILT-IN 120VAC POWER SUPPLY



TECHNICAL SPECIFICATIONS

GENERAL & MECHANICAL

Dimensions	See dimensions drawings
Operating Temperature	-60°C +60°C, +75°C peak (-76°F +140°F, +167°F peak)
Construction	AISI316L Stainless Steel
Finish	Electro-polished
Window	Germanium HC coated 50mm
Mounting	4x M5 on 101,6 PCD 4x M6 on 90x130
Cable entries	2xM25x1.5 and 2x 3/4in (adapter)
Weight	Unit: 10lb / Package: 13lb

ELECTRICAL

Temperature Climatization	T[°C] ON = 54 ± 7°F (12 ± 4°C) T[°C] OFF = 68°F ± 5°F (20 ± 3°C)
Available voltages	24VAC, 120VAC (+/-10%) 24VDC or PoE available on request
Power consumption	40W MAX

CERTIFICATIONS

Ingress Protection	EN 60529 (IP68/IP69), NEMA 4X
Rating	Class I, Division 1, Groups A, B, C and D T5/T4 -50°C ≤ Tamb ≤ +60°C/80°C (only for Canada) Class I, Division 1, Groups B, C and D T5/T4 -25°C ≤ Tamb ≤ +60°C/80°C (for US/Canada) Class II/III, Division 1, Groups E, F and G T5/T4 -40°C ≤ Tamb ≤ +60°C/80°C (for US/Canada)

North American Standards	FM Class 3615; FM Class 3810; ANSI/UL 61010-1; ANSI/UL 60079-0; ANSI/UL 60079-1; ANSI/ISA 60079-31; ANSI/UL 50E; ANSI/IEC 60529 CSA C22.2 No. 0.4; CSA C22.2 No. 0.5; CAN/CSA C22.2 No. 61010-1; CAN/CSA-C22.2 No. 60079-0; CAN/CSA-C22.2 No. 60079-1; CAN/CSA-C22.2 No. 60079-31; CSA C22.2 No. 94.2; CAN/CSA C22.2 No. 60529
EMC	EN 55035; EN/IEC 61000-6-4; EN/IEC 61000-3-2; EN/IEC 61000-3-3; EN/IEC 61000-6-2; CISPR-32; CISPR-35
LVD	EN/IEC 62368-1
RoHS	2011/65/EU + 2015/863/EU (RoHS 3)
WEEE	2012/19/EU

CAMERA (THERMAL)

Sensor	VOx Microbolometer, 12µm, uncooled
Resolution	640x512 pixels
Spectral Band	LWIR 8-14µm
Compression	H.264, MJPEG
Frame Rate	9Hz (9fps) or 25Hz (25fps)
Focus Settings	Fixed manual focus, minimum focus distance
Sensitivity	≤50mK@25°, F/1.0
Shutter type	NUC
Fire Detection	Yes
Image settings	Black hot, White hot, Color Palette (18 types)
Event Actions	Recording/Capture/Sending mail/PTZ linkage/Alarm output
Analytics	Line intrusion, cross-border, and region intrusion
Alarm Trigger	Network disconnection, IP address conflict, full memory, memory error, illegal access and abnormal detection

INNOVATIVE EXPLOSIONPROOF THERMAL CAMERA STATION

Edge Recording	Yes
Gain	- Digital Filter and Imaging Denoising - Digital Detail Enhancement

Lens	FOV (HxV)	Min Focus Distance
	640x512	
9.1mm	48.6°x38.6°, F1.0	0.5m
13mm	32.9°x26.6°, F1.0	0.5m
19mm	22.9°x18.4°, F1.0	0.5m
25mm	17.4°x14.0°, F1.0	1m
35mm	12.5°x10.0°, F1.0	1.5m
55mm	8.6°x6.4°, F1.0	2m

NETWORK

Interface	100BASE-TX or 100BASE-FX/1000BASE-X (fiber)
Security	User Authentication/HTTPS
ONVIF	ONVIF S
Protocols	TCP, UDP, RTP, RTSP, RTCP, HTTP, HTTPS, ICMP, FTP, SMTP, DHCP, IGMP, QoS, NTP, DNS

FIBER MEDIA CONVERTER

Interface	100 Base-FX/1000BASE-X
Cabling	Singlemode (9/125 μm) /two fibers/SC connector
Maximum Distance	20km
Wavelength	1310 nm

IP OVER COAXIAL CONVERTER

Interface	10/100 Base-TX over Coaxial Cable
Bandwidth	Up to 95Mbps downlink/uplink
Maximum Distance	1800m
Technology	Broadband over Power Lines (BPL)
Interference Prevention	IEEE 1901-2010 Inter-System Protocol ISP

MODELS

TXFUS2Tlxx-IP-L	New Generation Explosionproof FIXED Thermal Camera Station. With front grid, 120VAC
TXFUS1Tlxx-IP-L	New Generation Explosionproof FIXED Thermal Camera Station. With front grid, 24VAC
TXFUS2Tlxx-SM-L	New Generation Explosionproof FIXED Thermal Camera Station, SM FO media converter. With front grid, 120VAC
TXFUS1Tlxx-SM-L	New Generation Explosionproof FIXED Thermal Camera Station, SM FO media converter. With front grid, 24VAC
TXFUS2Tlxx-CX-L	New Generation Explosionproof FIXED Thermal Camera Station, IP over COAXIAL converter. With front grid, 120VAC
TXFUS1Tlxx-CX-L	New Generation Explosionproof FIXED Thermal Camera Station, IP over COAXIAL converter. With front grid, 24VAC

(+) Gridless version available on request: please add suffix -001 to the model name

To order the required camera configuration, please replace "Tlxx" with the number indicated in the table below.

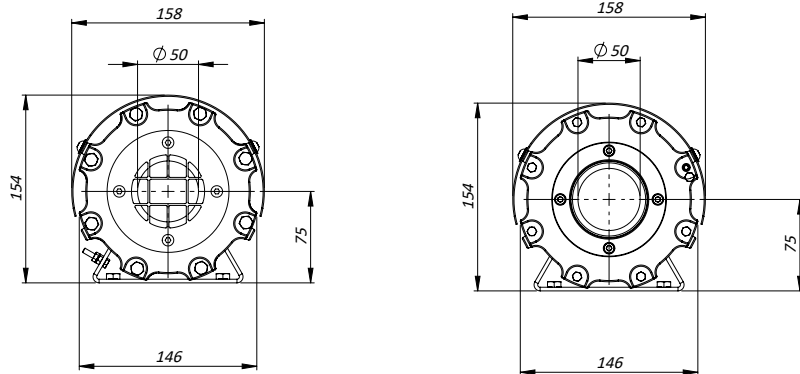
CAMERA MODEL SELECTION (Tlxx)

	640x512	
	9Hz	25Hz
9.1mm	TI22	TI32
13mm	TI23	TI33
19mm	TI24	TI34
25mm	TI25	TI35
35mm	TI26	TI36
55mm	TI27	TI37

ACCESSORIES

SSBK-M	Wall mounting bracket
SSPM-M	Pole mount adapter for SSBK-M
SSPTM-M	Top pole mount adapter

DIMENSIONS



*Gridless version

