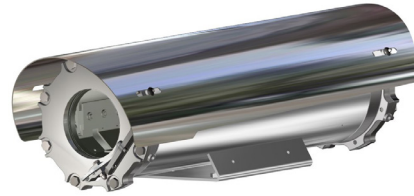


- **INNOVATIVE PRODUCT, BEST IN CLASS TECHNOLOGY**
- CLASS1/DIV1 EXPLOSIONPROOF CAMERA HOUSING FOR HAZARDOUS LOCATIONS
- AISI316L STAINLESS STEEL CONSTRUCTION
- CERTIFICATION TEMPERATURE -76°F +176°F
- OPTIONAL WINDOW WIPER
- IP68/69, NEMA 4X
- OPTIONAL BUILT-IN FIBER MEDIA CONVERTER
- OPTIONAL BUILT-IN IP OVER COAXIAL CONVERTER
- OPTIONAL BUILT-IN 120VAC POWER SUPPLY



## TECHNICAL SPECIFICATIONS

### GENERAL & MECHANICAL

<b>Dimensions</b>	See dimensions drawings
<b>Operating Temperature</b>	-60° +60°C, +75°C peak (-76°F +140°F, +167°F peak)
<b>Construction</b>	AISI316L Stainless Steel
<b>Finish</b>	Electro-polished
<b>Mounting</b>	4x M5 on 101,6 PCD 4x M6 on 90x130
<b>Cable entries</b>	2xM25x1.5 and 2x 3/4in (adapter)
<b>Wiper</b>	Optional
<b>Weight</b>	Unit: 23lb / Package: 26lb (version with wiper)

### ELECTRICAL

<b>Temperature Climatization</b>	T[°C] ON = 54 ± 7°F (12 ± 4°C) T[°C] OFF = 68°F ± 5°F (20 ± 3°C)
<b>Available voltages</b>	24VAC, 120VAC (+/-10%) 24VDC or PoE available on request
<b>Power consumption</b>	40W MAX

### CERTIFICATIONS

<b>Ingress Protection</b>	EN 60529 (IP68/IP69), NEMA 4X
<b>Rating</b>	Class I, Division 1, Groups A, B, C and D T5/T4 -50°C ≤ Tamb ≤ +60°C/80°C (only for Canada) Class I, Division 1, Groups B, C and D T5/T4 -25°C ≤ Tamb ≤ +60°C/80°C (for US/Canada) Class II/III, Division 1, Groups E, F and G T5/T4 -40°C ≤ Tamb ≤ +60°C/80°C (for US/Canada)
<b>Vibrations and Shock</b>	EN/IEC 60068-2-6; EN/IEC 60068-2-27; DNV-CG-0339
<b>North American Standards</b>	FM Class 3615; FM Class 3810; ANSI/UL 61010-1; ANSI/UL 60079-0; ANSI/UL 60079-1; ANSI/ISA 60079-31; ANSI/UL 50E; ANSI/IEC 60529; CSA C22.2 No. 0.4; CSA C22.2 No. 0.5; CAN/CSA C22.2 No. 61010-1; CAN/CSA-C22.2 No. 60079-0; CAN/CSA-C22.2 No. 60079-1; CAN/CSA-C22.2 No. 60079-31; CSA C22.2 No. 94.2; CAN/CSA C22.2 No. 60529
<b>EMC</b>	EN 55035; EN/IEC 61000-6-4; EN/IEC 61000-3-2; EN/IEC 61000-3-3; EN/IEC 61000-6-2; CISPR-32; CISPR-35; DNV-CG-0339
<b>LVD</b>	EN/IEC 62368-1
<b>FCC</b>	FCC part 15B
<b>RoHS</b>	2011/65/EU + 2015/863/EU (RoHS 3)
<b>WEEE</b>	2012/19/EU

### FIBER MEDIA CONVERTER

<b>Interface</b>	100 Base-FX/1000BASE-X
<b>Cabling</b>	Singlemode (9/125 μm) /two fibers/SC connector
<b>Maximum Distance</b>	20km
<b>Wavelength</b>	1310 nm

## INNOVATIVE EXPLOSIONPROOF CAMERA HOUSING

**IP OVER COAXIAL CONVERTER**

<b>Interface</b>	10/100 Base-TX over Coaxial Cable
<b>Bandwidth</b>	Up to 95Mbps downlink/uplink
<b>Maximum Distance</b>	1800m
<b>Technology</b>	Broadband over Power Lines (BPL)
<b>Interference Prevention</b>	IEEE 1901-2010 Inter-System Protocol ISP

**MODELS**

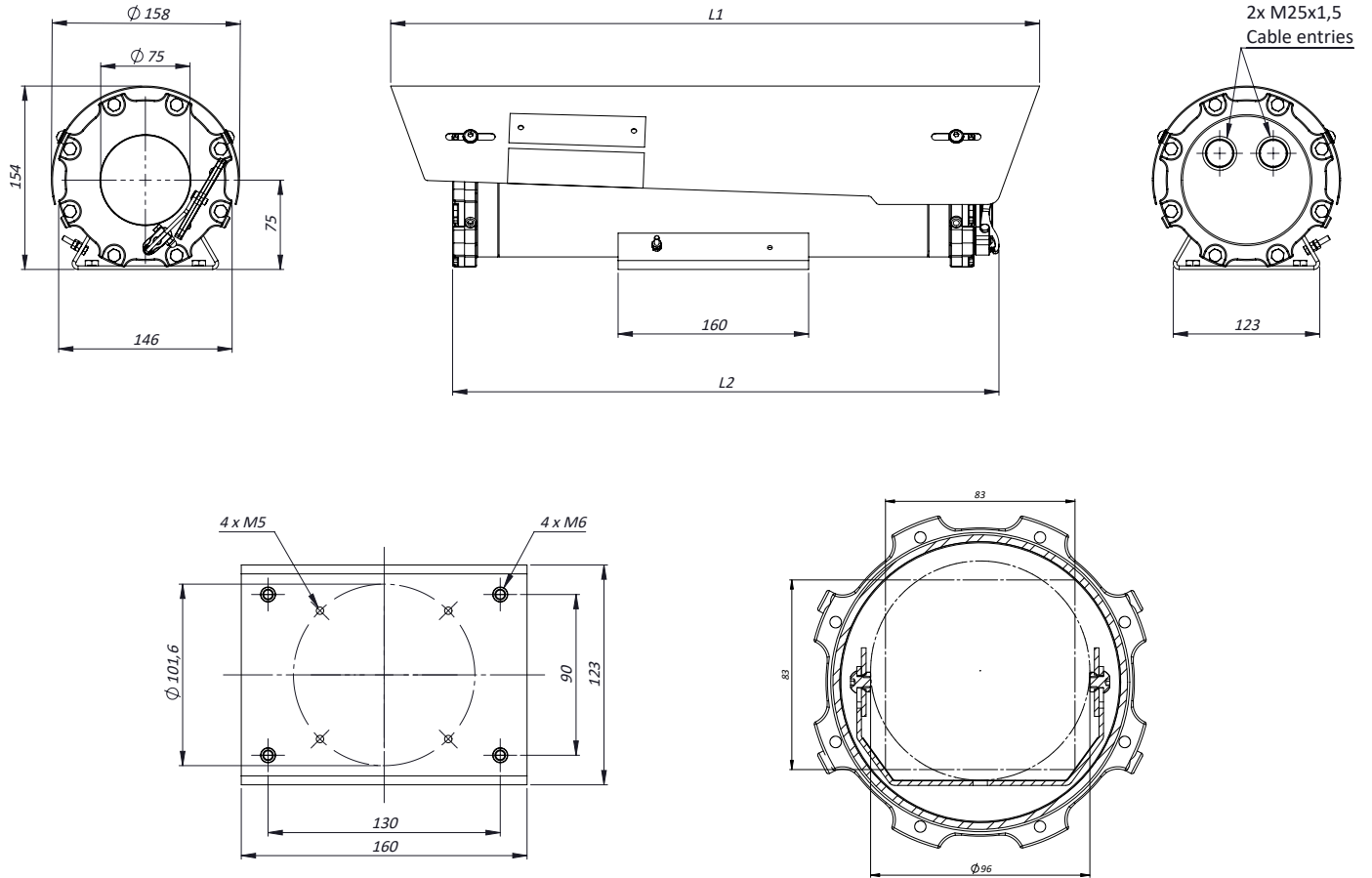
<b>TXFUS2-M</b>	New Generation Explosionproof camera housing, MEDIUM size, 120VAC
<b>TXFUS6-M</b>	New Generation Explosionproof camera housing, MEDIUM size, 24VAC/DC
<b>TXFUS2W-L</b>	New Generation Explosionproof camera housing, LONG size, wiper, 120VAC
<b>TXFUS1W-L</b>	New Generation Explosionproof camera housing, LONG size, wiper, 24VAC

- All the above models include sunshield and heater

**ACCESSORIES**

<b>SSBK-M</b>	Wall mounting bracket
<b>SSPM-M</b>	Pole mount adapter for SSBK-M
<b>SSPTM-M</b>	Top pole mount adapter
<b>SSDM-M</b>	Adapter to pair with IR LED illuminator on a single SSBK-M bracket

DIMENSIONS



**MAX EXTERNAL LENGTH**

Model	L1 [mm]	L2 [mm]
TXFUS-M	545	439
TXFUSW-L	685	600

**MAX INTERNAL USABLE AREA**

Model	Max internal dimensions [mm]	Max usable internal diameter [mm]
TXFUS-M	80x80x260	96
TXFUSW-L	80x80x355	96