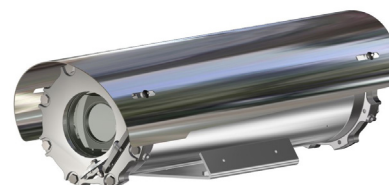


TXFTX01 SERIES

INNOVATIVE EXPLOSIONPROOF NEXT FIXED CAMERA STATION

HAZARDOUS AREA

- **INNOVATIVE PRODUCT, BEST IN CLASS TECHNOLOGY**
- ATEX/IECEX/UKCA/INMETRO/ECAS EX EXPLOSIONPROOF CAMERA FOR HAZARDOUS LOCATIONS
- AISI316L STAINLESS STEEL CONSTRUCTION
- CERTIFICATION TEMPERATURE -60°C +80°C
- POWERED BY **AXIS Q1715**, DAY/NIGHT FULL HD, 21X OPTICAL ZOOM
- EDGE RECORDING
- OPTIONAL WINDOW WIPER
- IP66/67/68/69, NEMA 4X
- OPTIONAL BUILT-IN FIBER MEDIA CONVERTER
- OPTIONAL BUILT-IN IP OVER COAXIAL CONVERTER
- OPTIONAL BUILT-IN 120VAC OR 230VAC POWER SUPPLY
- H2-READY



TECHNICAL SPECIFICATIONS

GENERAL & MECHANICAL

Dimensions	See dimensions drawings
Operating Temperature	-40°C +60°C, +75°C peak (-40°F +140°F, +167°F peak)
Construction	AISI316L Stainless Steel
Finish	Electro-polished
Mounting	4x M5 on 101,6 PCD 4x M6 on 90x130
Cable entries	2x M25 x1,5
Wiper	Optional
Weight	Unit: 11.5 Kg / Package: 13 Kg (version with wiper)

ELECTRICAL

Temperature Climatization	T[°C] ON = 12 ± 4°C, T[°C] OFF = 20 ± 3°C
Available voltages	24VAC, 120VAC, 230VAC (+/-10%) 24VDC or PoE available on request
Power consumption	40W MAX

CERTIFICATIONS

Ingress Protection	EN 60529 (IP66/IP67/IP68/IP69), NEMA 4X
Rating	II 2 G Ex db IIC T6/5/4 Gb -60°C ≤ Tamb ≤ +60/75/80°C II 2 D Ex tb IIIC T85/100/135°C Db -60°C ≤ Tamb ≤ +60/75/80°C
ATEX/UKCA Standards	EN 60079-0; EN 60079-1; EN 60079-31
IECEX Standards	IEC 60079-0; IEC 60079-1; IEC 60079-31
INMETRO	ABNT NBR IEC 60079-0; ABNT NBR IEC 60079-1; ABNT NBR IEC 60079-31
ECAS Ex Standards	UAE.S IEC 60079-0, UAE.S IEC 60079-1, UAE.S IEC 60079-31
EMC	EN 55035; EN/IEC 61000-6-4; EN/IEC 61000-3-2; EN/IEC 61000-3-3; EN/IEC 61000-6-2; CISPR-32; CISPR-35
LVD	EN/IEC 62368-1
RoHS	2011/65/EU + 2015/863/EU (RoHS 3)
WEEE	2012/19/EU

VIDEO/CAMERA

Sensor	1/2.8" progressive scan CMOS
Resolution	1920x1080
Compression	H.264 (MPEG-4 Parte 10/AVC), H.265 (MPEG-H parte 2/HEVC), MJPEG
Streaming	Multiple, individually configurable streams in H.264, H.265 and Motion JPEG Axis Zipstream technology in H.264 and H.265 Controllable frame rate and bandwidth VBR/ABR/MBR H.264/H.265
Frame Rate	up to 60fps
Sensitivity	Min color: 0.1 lux at 50 IRE F1.5, Min B/W: 0.02 lux at 50 IRE F1.5
Shutter Speed	1/66500s to 2s
Optical Filter	Automatically removable infrared-cut filter
White Balance	Automatic
Dynamic range	WDR
Lens	21x Autofocus Optical zoom, 4-84.6 mm, F1.6-F4.5
FOV	Horizontal: 76° (Wide), 3.6° (Tele) Vertical: 42° (Wide), 2.2° (Tele)
Analytics	Object classes: humans, vehicles (types: cars, buses, trucks, bikes). Trigger conditions: line crossing, object in area, Up to 10 scenarios, Metadata visualized with color-coded bounding boxes, Polygon include/exclude areas, Perspective configuration, ONVIF Motion Alarm event
Image settings	Saturation, contrast, brightness, sharpness, Forensic WDR: up to 120 dB depending on scene, white balance, day/night threshold, tone mapping, local contrast, EIS, exposure mode, exposure zones, defogging, compression, rotation: auto, 0°, 90°, 180°, 270° including Corridor Format, dynamic text and image overlays, polygon privacy mask, mirroring of images. Scene profiles: forensic, vivid, traffic overview

INNOVATIVE EXPLOSIONPROOF NEXT FIXED CAMERA STATION

Event Triggers	Device status: above operating temperature, above or below operating temperature, below operating temperature, IP address removed, network lost, new IP address, ring power overcurrent detection, storage failure, system ready, within operating temperature, shock detection Edge storage: recording ongoing, storage disruption. I/O: digital input, manual trigger, virtual input MQTT subscribe. Scheduled and recurring: scheduled event. Video: average bitrate degradation, day-night mode, live stream open, tampering
Edge Recording	microSD/microSDHC/microSDXC slot
Iris	P-Iris

(*) for more updated information pls visit original web site of camera manufacturer

NETWORK

Interface	10BASE-T/100BASE-TX/1000BASE-T
Security	Password protection, IP address filtering, HTTPSa encryption, IEEE 802.1x (EAP-TLS) network access control, digest authentication, user access log, centralized certificate management, brute force delay protection, signed firmware, secure boot, Axis Edge Vault, Axis device ID, secure keystore (CC EAL4 certified), TPM (FIPS 140-2 certified)
ONVIF	ONVIF profile S/T/G/M
Protocols	Pv4, IPv6 USGv6, ICMPv4/ICMPv6, HTTP, HTTPSa, HTTP/2, TLSa, QoS Layer 3 DiffServ, FTP, SFTP, CIFS/SMB, SMTP, mDNS (Bonjour), UPnP®, SNMP v1/v2c/v3 (MIB-II), DNS/DNSv6, DDNS, NTP, RTSP, RTP, SRTP, TCP, UDP, IGMPv1/v2/v3, RTCP, DHCPv4/v6, SOCKS, SSH, SIP, LLDP, CDP, MQTT v3.1.1, Syslog, Link-Local address (ZeroConf)

(*) for more updated information pls visit original web site of camera manufacturer

FIBER MEDIA CONVERTER

Interface	100 Base-FX/1000BASE-X
Cabling	Singlemode (9/125 μm) /two fibers/SC connector
Maximum Distance	20km
Wavelength	1310 nm

IP OVER COAXIAL CONVERTER

Interface	10/100 Base-TX over Coaxial Cable
Bandwidth	Up to 95Mbps downlink/uplink
Maximum Distance	1800m
Technology	Broadband over Power Lines (BPL)
Interference Prevention	IEEE 1901-2010 Inter-System Protocol ISP

MODELS

TXF2TX01-IP-M	New Generation Explosionproof FIXED IP camera station with AXIS Q1715, 120VAC
TXF3TX01-IP-M	New Generation Explosionproof FIXED IP camera station with AXIS Q1715, 230VAC
TXF1TX01-IP-M	New Generation Explosionproof FIXED IP camera station with AXIS Q1715, 24VAC
TXF2TX01W-IP-M	New Generation Explosionproof FIXED IP camera station with AXIS Q1715, wiper, 120VAC
TXF3TX01W-IP-M	New Generation Explosionproof FIXED IP camera station with AXIS Q1715, wiper, 230VAC
TXF1TX01W-IP-M	New Generation Explosionproof FIXED IP camera station with AXIS Q1715, wiper, 24VAC

- for fiber media converter replace the suffix "IP" with "SM"
- for IP over COAXIAL converter replace the suffix "IP" with "CX"
- All the above models include sunshield and heater

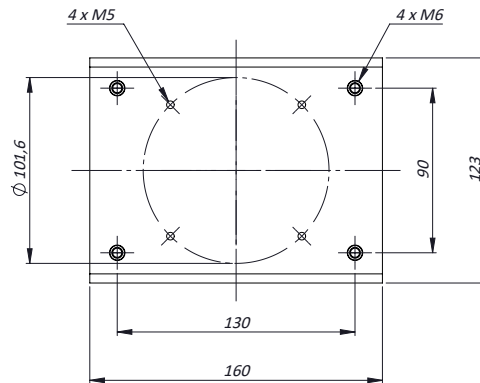
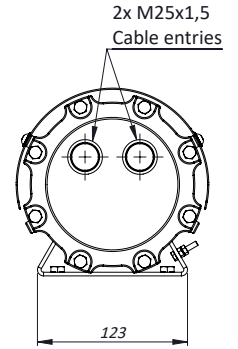
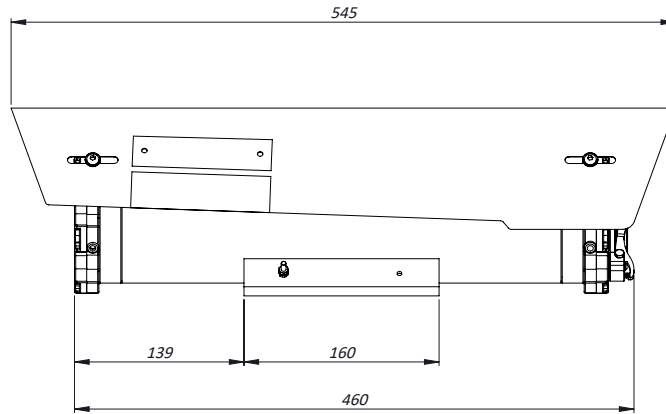
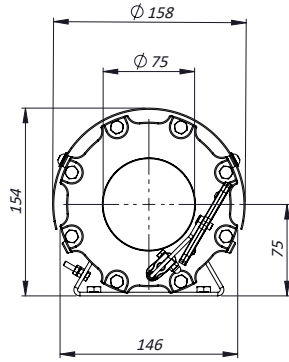
PRE-ASSEMBLED CABLE TAILS

EXACCTF3-A	3 meters armored composite cable tail (power, Ethernet, data) with 2x M25 barrier nickel plated brass glands
EXACCTF3-C	3 meters armored composite cable tail (power, data, fiber optic) with 2x M25 barrier nickel plated brass glands. Fiber termination: SC
EXACCTF5-A	5 meters armored composite cable tail (power, Ethernet, data) with 2x M25 barrier nickel plated brass glands
EXACCTF5-C	5 meters armored composite cable tail (power, data, fiber optic) with 2x M25 barrier nickel plated brass glands. Fiber termination: SC
EXACCTF10-A	10 meters armored composite cable tail (power, Ethernet, data) with 2x M25 barrier nickel plated brass glands
EXACCTF10-C	10 meters armored composite cable tail (power, data, fiber optic) with 2x M25 barrier nickel plated brass glands. Fiber termination: SC

ACCESSORIES

SSBK-M	Wall mounting bracket
SSPM-M	Pole mount adapter for SSBK-M
SSPTM-M	Top pole mount adapter
SSDM-M	Adapter to pair with IR LED illuminator on a single SSBK-M bracket

DIMENSIONS



*This is only an example of integration of Asix camera in Tecnovideo products.
Axis Trademark and company logos, marks, product names and emblems are registered trademarks and belong to Axis Corporation.*

Dimensions in millimetres - Tolerances according QMS - Design and products specifications subject to change without notice - rev. 20250423