

TXFTH02 SERIES

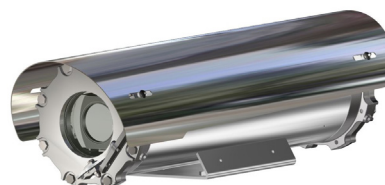
INNOVATIVE EXPLOSIONPROOF NEXT FIXED CAMERA STATION

HAZARDOUS AREA

- **INNOVATIVE PRODUCT, BEST IN CLASS TECHNOLOGY**
- ATEX/IECEX/UKCA/INMETRO/ECAS EX EXPLOSIONPROOF CAMERA FOR HAZARDOUS LOCATIONS
- AISI316L STAINLESS STEEL CONSTRUCTION
- CERTIFICATION TEMPERATURE -60°C +80°C
- POWERED BY **WISENET XNZ-L6320**, DAY/NIGHT FULL HD, 32X OPTICAL ZOOM
- EDGE RECORDING
- OPTIONAL WINDOW WIPER
- IP66/67/68/69, NEMA 4X
- OPTIONAL BUILT-IN FIBER MEDIA CONVERTER
- OPTIONAL BUILT-IN IP OVER COAXIAL CONVERTER
- OPTIONAL BUILT-IN 120VAC OR 230VAC POWER SUPPLY
- H2-READY



WISENET



TECHNICAL SPECIFICATIONS

GENERAL & MECHANICAL

Dimensions	See dimensions drawings
Operating Temperature	-30° +60°C, +75°C peak (-22°F +140°F, +167°F peak)
Construction	AISI316L Stainless Steel
Finish	Electro-polished
Mounting	4x M5 on 101,6 PCD 4x M6 on 90x130
Cable entries	2x M25 x1,5
Wiper	Optional
Weight	Unit: 11 Kg / Package: 12,5 Kg (version with wiper)

ELECTRICAL

Temperature Climatization	T[°C] ON = 12 ± 4°C, T[°C] OFF = 20 ± 3°C
Available voltages	24VAC, 120VAC, 230VAC (+/-10%) 24VDC or PoE available on request
Power consumption	40W MAX

CERTIFICATIONS

Ingress Protection	EN 60529 (IP66/IP67/IP68/IP69), NEMA 4X
Rating	II 2 G Ex db IIC T6/5/4 Gb -60°C ≤ Tamb ≤ +60/75/80°C II 2 D Ex tb IIIC T85/100/135°C Db -60°C ≤ Tamb ≤ +60/75/80°C
ATEX/UKCA Standards	EN 60079-0; EN 60079-1; EN 60079-31
IECEX Standards	IEC 60079-0; IEC 60079-1; IEC 60079-31
INMETRO	ABNT NBR IEC 60079-0; ABNT NBR IEC 60079-1; ABNT NBR IEC 60079-31
ECAS Ex Standards	UAE.S IEC 60079-0, UAE.S IEC 60079-1, UAE.S IEC 60079-31
EMC	EN 55035; EN/IEC 61000-6-4; EN/IEC 61000-3-2; EN/IEC 61000-3-3; EN/IEC 61000-6-2; CISPR-32; CISPR-35
LVD	EN/IEC 62368-1
RoHS	2011/65/EU + 2015/863/EU (RoHS 3)
WEEE	2012/19/EU

VIDEO/CAMERA

Sensor	1/2.8" 2MP CMOS
Resolution	1920x1080
Compression	H.265/H.264: Main/Baseline/High, MJPEG
Streaming	Unicast(20 users) / Multicast Multiple streaming(Up to 10 profiles)
Frame Rate	H.265/H.264 : Max. 60fps/50fps(60Hz/50Hz)
Sensitivity	Color: 0.05 lux(F1.6, 1/30sec) B/W: 0.005 lux(F1.6, 1/30sec)
Shutter Speed	Minimum / Maximum / Anti flicker (2~1/12,000sec)
White Balance	ATW / AWC / Manual / Indoor / Outdoor
Dynamic range	WDR
Lens	32x Autofocus Optical Zoom, 4.44-142.6mm, F1.6(Wide) - F4.4(Tele)
FOV	Horizontal: 64.66° (Wide), 2.29° (Tele) Vertical: 38.08° (Wide), 1.30° (Tele)
Analytics	Defocus detection, Directional detection, Fog detection, Face detection, Motion detection, Digital auto tracking, Appear/Disappear, Enter/Exit, Loitering, Tampering, Virtual line
Event Triggers	Analytics, Network disconnect, Alarm input
Edge Recording	Micro SD/SDHC/SDXC 1slot 256GB
Network Storage	NAS
Noise Reduction	SSNR V
Iris	DC auto iris
Selectable Functions	Analytics, Tamper Detection, Objects in Area, Object Loitering, Objects Crossing Beam, Object Appears or Enters Area, Direction Violated

(*) for more updated information pls visit original web site of camera manufacturer

INNOVATIVE EXPLOSIONPROOF NEXT FIXED CAMERA STATION

NETWORK

Interface	RJ-45(10/100BASE-T)
Security	HTTPS(SSL) Login Authentication, Digest Login Authentication. IP Address Filtering, User access Log, 802.1X Authentication (EAP-TLS, EAP-LEAP)
ONVIF	ONVIF Profile S/G/T
Protocols	IPv4, IPv6, TCP/IP, UDP/IP, RTP(UDP), RTP(TCP), RTCP, RTSP, NTP, HTTP, HTTPS, SSL/TLS, DHCP, FTP, SMTP, ICMP, IGMP, SNMPv1/v2c/v3(MIB-2), ARP, DNS, DDNS, QoS, PIM-SM, UPnP, Bonjour, LLDP, SRTP

(*) for more updated information pls visit original web site of camera manufacturer

FIBER MEDIA CONVERTER

Interface	100 Base-FX/1000BASE-X
Cabling	Singlemode (9/125 μm) /two fibers/SC connector
Maximum Distance	20km
Wavelength	1310 nm

IP OVER COAXIAL CONVERTER

Interface	10/100 Base-TX over Coaxial Cable
Bandwidth	Up to 95Mbps downlink/uplink
Maximum Distance	1800m
Technology	Broadband over Power Lines (BPL)
Interference Prevention	IEEE 1901-2010 Inter-System Protocol ISP

MODELS

TXF2TH02-IP-M	New Generation Explosionproof FIXED IP camera station with HANWHA XNZ-L6320, 120VAC
TXF3TH02-IP-M	New Generation Explosionproof FIXED IP camera station with HANWHA XNZ-L6320, 230VAC
TXF1TH02-IP-M	New Generation Explosionproof FIXED IP camera station with HANWHA XNZ-L6320, 24VAC
TXF2TH02W-IP-M	New Generation Explosionproof FIXED IP camera station with HANWHA XNZ-L6320, wiper, 120VAC
TXF3TH02W-IP-M	New Generation Explosionproof FIXED IP camera station with HANWHA XNZ-L6320, wiper, 230VAC
TXF1TH02W-IP-M	New Generation Explosionproof FIXED IP camera station with HANWHA XNZ-L6320, wiper, 24VAC

- for fiber media converter replace the suffix "IP" with "SM"
- for IP over COAXIAL converter replace the suffix "IP" with "CX"
- All the above models include sunshield and heater

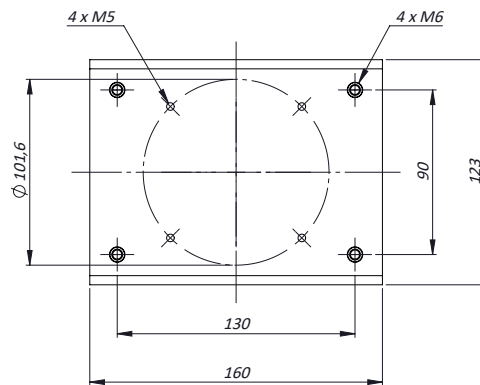
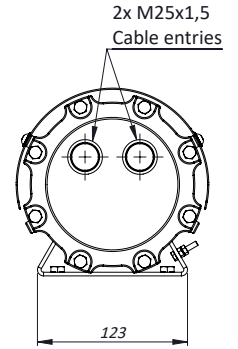
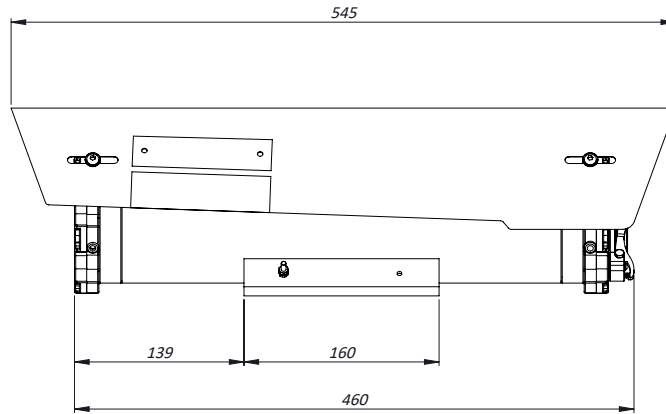
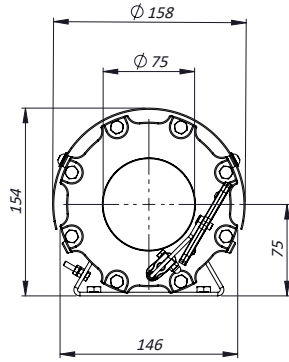
PRE-ASSEMBLED CABLE TAILS

EXACCTF3-A	3 meters armored composite cable tail (power, Ethernet, data) with 2x M25 barrier nickel plated brass glands
EXACCTF3-C	3 meters armored composite cable tail (power, data, fiber optic) with 2x M25 barrier nickel plated brass glands. Fiber termination: SC
EXACCTF5-A	5 meters armored composite cable tail (power, Ethernet, data) with 2x M25 barrier nickel plated brass glands
EXACCTF5-C	5 meters armored composite cable tail (power, data, fiber optic) with 2x M25 barrier nickel plated brass glands. Fiber termination: SC
EXACCTF10-A	10 meters armored composite cable tail (power, Ethernet, data) with 2x M25 barrier nickel plated brass glands
EXACCTF10-C	10 meters armored composite cable tail (power, data, fiber optic) with 2x M25 barrier nickel plated brass glands. Fiber termination: SC

ACCESSORIES

SSBK-M	Wall mounting bracket
SSPM-M	Pole mount adapter for SSBK-M
SSPTM-M	Top pole mount adapter
SSDM-M	Adapter to pair with IR LED illuminator on a single SSBK-M bracket

DIMENSIONS



*This is only an example of integration of Wisenet camera in Tecnovideo products.
Hanwha Trademark and company logos, marks, product names and emblems are registered trademarks and belong to Hanwha Corporation.*

Dimensions in millimetres - Tolerances according QMS - Design and products specifications subject to change without notice - rev. 20250423