

- **INNOVATIVE PRODUCT, BEST IN CLASS TECHNOLOGY**
- ATEX/IECEX/UKCA/INMETRO EXPLOSIONPROOF THERMAL CAMERA FOR HAZARDOUS LOCATIONS
- AISI316L STAINLESS STEEL CONSTRUCTION
- CERTIFICATION TEMPERATURE -60°C +80°C
- GERMANIUM OR SAPPHIRE WINDOW
- SUITABLE FOR MWIR OR LWIR CAMERAS
- CERTIFIED FOR UNCOOLED AND COOLED THERMAL CAMERAS
- SPECIAL WINDOW TO MINIMIZE NARCISSUS EFFECT AVAILABLE
- GRIDLESS OPTION AVAILABLE (PATENTED)
- IP66/67/68/69, NEMA 4X
- OPTIONAL BUILT-IN FIBER MEDIA CONVERTER
- OPTIONAL BUILT-IN IP OVER COAXIAL CONVERTER
- OPTIONAL BUILT-IN 120VAC OR 230VAC POWER SUPPLY
- H2-READY



TECHNICAL SPECIFICATIONS

GENERAL & MECHANICAL

Dimensions	See dimensions drawings
Operating Temperature	-60° +60°C, +75°C peak (-76°F +140°F, +167°F peak)
Construction	AISI316L Stainless Steel
Finish	Electro-polished
Window	Germanium HC coated 50mm or Sapphire 50mm
Mounting	4x M5 on 101,6 PCD 4x M6 on 90x130
Cable entries	2x M25 x1,5
Weight	Unit: 10.5 Kg / Package: 12 Kg

ELECTRICAL

Temperature Climatization	T[°C] ON = 12 ± 4°C, T[°C] OFF = 20 ± 3°C
Available voltages	24VAC, 120VAC, 230VAC (+/-10%) 24VDC or PoE available on request
Power consumption	40W MAX

CERTIFICATIONS

Ingress Protection	EN 60529 (IP66/IP67/IP68/IP69), NEMA 4X
Rating	II 2 G Ex db IIC T6/5/4 Gb -60°C ≤ Tamb ≤ +60/75/80°C II 2 D Ex tb IIIC T85/100/135°C Db -60°C ≤ Tamb ≤ +60/75/80°C
Vibrations and Shock	EN/IEC 60068-2-6; EN/IEC 60068-2-27; DNV-CG-0339
ATEX/UKCA Standards	EN 60079-0; EN 60079-1; EN 60079-31
IECEX Standards	IEC 60079-0; IEC 60079-1; IEC 60079-31
EMC	EN 55035; EN/IEC 61000-6-4; EN/IEC 61000-3-2; EN/IEC 61000-3-3; EN/IEC 61000-6-2; CISPR-32; CISPR-35; DNV-CG-0339
LVD	EN/IEC 62368-1
FCC	FCC part 15B
RoHS	2011/65/EU + 2015/863/EU (RoHS 3)
WEEE	2012/19/EU
INMETRO	ABNT NBR IEC 60079-0; ABNT NBR IEC 60079-1; ABNT NBR IEC 60079-31

FIBER MEDIA CONVERTER

Interface	100 Base-FX/1000BASE-X
Cabling	Singlemode (9/125 μm) /two fibers/SC connector
Maximum Distance	20km
Wavelength	1310 nm

IP OVER COAXIAL CONVERTER

Interface	10/100 Base-TX over Coaxial Cable
Bandwidth	Up to 95Mbps downlink/uplink
Maximum Distance	1800m
Technology	Broadband over Power Lines (BPL)
Interference Prevention	IEEE 1901-2010 Inter-System Protocol ISP

MODELS

TXF2-IR-M	New Generation Explosionproof Thermal camera housing, MEDIUM size, With front grid, 120VAC
TXF3-IR-M	New Generation Explosionproof Thermal camera housing, MEDIUM size, With front grid, 230VAC
TXF6-IR-M	New Generation Explosionproof Thermal camera housing, MEDIUM size, With front grid, 24VAC/DC
TXF2-IR-L	New Generation Explosionproof Thermal camera housing, LONG size, With front grid, 120VAC
TXF3-IR-L	New Generation Explosionproof Thermal camera housing, LONG size, With front grid, 230VAC
TXF6-IR-L	New Generation Explosionproof Thermal camera housing, LONG size, With front grid, 24VAC/DC

- All the above models include sunshield, heater and a 50mm Germanium window with protective front grid.

OPTIONS: Please add the following suffix to the model name:

For GRIDLESS Germanium window: -001

For Sapphire window: -003

For special Sapphire window for Narcissus effect: -006

Example. TXF3-IR-M003 = explosion-proof camera housing, MEDIUM size, with sunshield and 230VAC heater. Sapphire window diameter: 50mm, for 1-5 μm IR wavelength range

- Built-in Fiber Optic media converter or IP over COAX converter are available upon request

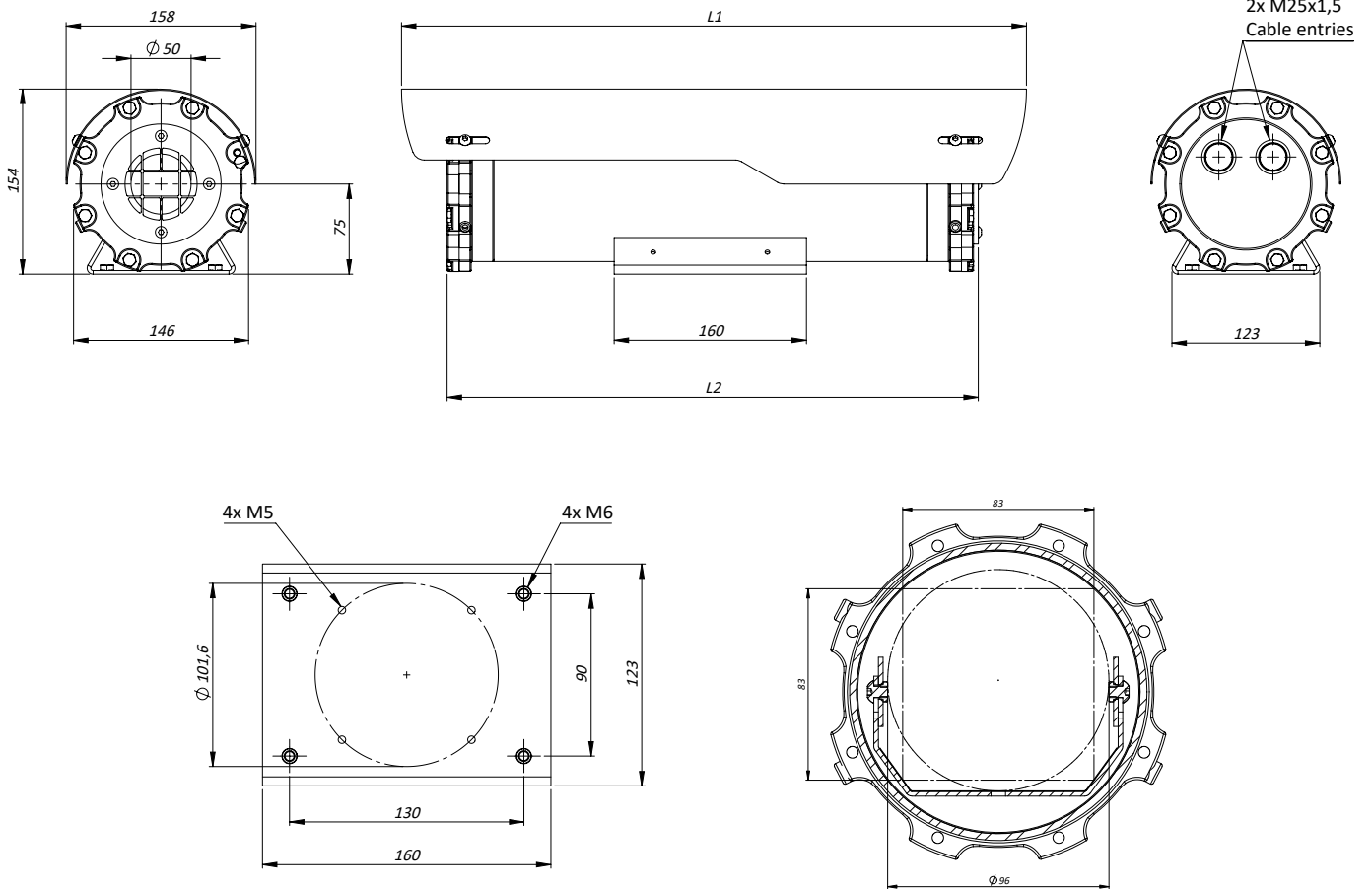
PRE-ASSEMBLED CABLE TAILS

EXACCTF3-A	3 meters armored composite cable tail (power, Ethernet, data) with 2x M25 barrier nickel plated brass glands
EXACCTF3-C	3 meters armored composite cable tail (power, data, fiber optic) with 2x M25 barrier nickel plated brass glands. Fiber termination: SC
EXACCTF5-A	5 meters armored composite cable tail (power, Ethernet, data) with 2x M25 barrier nickel plated brass glands
EXACCTF5-C	5 meters armored composite cable tail (power, data, fiber optic) with 2x M25 barrier nickel plated brass glands. Fiber termination: SC
EXACCTF10-A	10 meters armored composite cable tail (power, Ethernet, data) with 2x M25 barrier nickel plated brass glands
EXACCTF10-C	10 meters armored composite cable tail (power, data, fiber optic) with 2x M25 barrier nickel plated brass glands. Fiber termination: SC

ACCESSORIES

SSBK-M	Wall mounting bracket
SSPM-M	Pole mount adapter for SSBK-M
SSPTM-M	Top pole mount adapter

DIMENSIONS



MAX EXTERNAL LENGTH

Model	L1 [mm]	L2 [mm]
TXF-IR-M	520	442
TXF-IR-L	660	582

MAX INTERNAL USABLE AREA

Model	Max internal dimensions [mm]	Max usable internal diameter [mm]
TXF-IR-M	80x80x260	96
TXF-IR-L	80x80x398	96