

## INNO PTZ WITH AXIS

INNOVATIVE STAINLESS STEEL PTZ CAMERA STATION

SAFE AREA

- **INNOVATIVE PRODUCT, BEST IN CLASS TECHNOLOGY**
- AISI316L STAINLESS STEEL CONSTRUCTION
- POWERED BY **AXIS Q1715**, DAY/NIGHT FULL HD, 21X OPTICAL ZOOM
- EDGE RECORDING
- INTEGRATED WINDOW WIPER
- VERY LOW POWER CONSUMPTION
- EASY MAINTENANCE
- IP66/67
- OPTIONAL BUILT-IN FIBER MEDIA CONVERTER
- OPTIONAL BUILT-IN IP OVER COAX CONVERTER
- OPTIONAL BUILT-IN 120VAC OR 230VAC POWER SUPPLY



**AXIS**  
COMMUNICATIONS



ONVIF®

### TECHNICAL SPECIFICATIONS

#### GENERAL & MECHANICAL

<b>Dimensions</b>	See dimensions drawings
<b>Operating Temperature</b>	-40°C +60°C, +75°C peak (-40°F +140°F, +167°F peak)
<b>Construction</b>	AISI316L Stainless Steel
<b>Finish</b>	Electro-polished
<b>Mounting</b>	4x Ø11 on 195 PCD
<b>Cable entries</b>	1x M25x1,5 (second cable entry available on demand)
<b>Wiper</b>	Yes
<b>Pan Angle</b>	360° (continuous rotation)
<b>Pan Speed</b>	0 – 40°/second
<b>Pan Torque</b>	20Nm (limited with safety device)
<b>Tilt Angle</b>	180° (+/-90°)
<b>Tilt Speed</b>	0 – 20°/second
<b>Tilt Torque</b>	20Nm (limited with safety device)
<b>Rotation angle</b>	Electronically adjustable limit switches
<b>Backlash</b>	<0,1°
<b>Max preset accuracy</b>	0,04°
<b>Control protocol</b>	Pelco D (RS485)
<b>Weight</b>	Unit: 29kg / Package: 34kg

#### ELECTRICAL

<b>Temperature Climatization</b>	
- Camera Housing	T[°C] ON = 12 ± 4°C, T[°C] OFF = 20 ± 3°C
- Gear motors	Electronically controlled de-icing
<b>Available voltages</b>	24VAC, 120VAC, 230VAC (+/-10%) 24VDC available on request
<b>Power consumption</b>	•10W min (stationary and heaters/wiper off) •85W Operating (no heaters) •130W MAX (low temperature operation)

#### CERTIFICATIONS

<b>Ingress Protection</b>	EN 60529 (IP66/IP67)
<b>IK Classification</b>	IK10 on all sides except for the front window
<b>EMC</b>	EN 55032; EN 55035; EN/IEC 61000-3-2; EN/IEC 61000-3-3; EN/IEC 61000-6-2; EN/IEC 61000-6-4; CISPR-32; CISPR-35
<b>LVD</b>	EN/IEC 62368-1
<b>RoHS</b>	2011/65/EU + 2015/863/EU (RoHS 3)
<b>WEEE</b>	2012/19/EU

#### VIDEO/CAMERA

<b>Sensor</b>	1/2.8" progressive scan CMOS
<b>Resolution</b>	1920x1080
<b>Compression</b>	H.264 (MPEG-4 Parte 10/AVC), H.265 (MPEG-H parte 2/HEVC), MJPEG
<b>Streaming</b>	Multiple, individually configurable streams in H.264, H.265 and Motion JPEG Axis Zipstream technology in H.264 and H.265 Controllable frame rate and bandwidth VBR/ABR/MBR H.264/H.265
<b>Frame Rate</b>	up to 60fps
<b>Sensitivity</b>	Min color: 0.1 lux at 50 IRE F1.5, Min B/W: 0.02 lux at 50 IRE F1.5
<b>Shutter Speed</b>	1/66500s to 2s
<b>Optical Filter</b>	Automatically removable infrared-cut filter
<b>White Balance</b>	Automatic
<b>Dynamic range</b>	WDR
<b>Lens</b>	21x Autofocus Optical zoom, 4-84.6 mm, F1.6-F4.5
<b>FOV</b>	Horizontal: 76° (Wide), 3.6° (Tele) Vertical: 42° (Wide), 2.2° (Tele)
<b>Analytics</b>	Object classes: humans, vehicles (types: cars, buses, trucks, bikes). Trigger conditions: line crossing, object in area, Up to 10 scenarios, Metadata visualized with color-coded bounding boxes, Polygon include/exclude areas, Perspective configuration, ONVIF Motion Alarm event

## INNOVATIVE STAINLESS STEEL PTZ CAMERA STATION

<b>Image settings</b>	Saturation, contrast, brightness, sharpness, Forensic WDR: up to 120 dB depending on scene, white balance, day/night threshold, tone mapping, local contrast, EIS, exposure mode, exposure zones, defogging, compression, rotation: auto, 0°, 90°, 180°, 270° including Corridor Format, dynamic text and image overlays, polygon privacy mask, mirroring of images. Scene profiles: forensic, vivid, traffic overview
<b>Event Triggers</b>	Device status: above operating temperature, above or below operating temperature, below operating temperature, IP address removed, network lost, new IP address, ring power overcurrent detection, storage failure, system ready, within operating temperature, shock detection Edge storage: recording ongoing, storage disruption. I/O: digital input, manual trigger, virtual input MQTT subscribe. Scheduled and recurring: scheduled event. Video: average bitrate degradation, day-night mode, live stream open, tampering
<b>Edge Recording</b>	microSD/microSDHC/microSDXC slot
<b>Iris</b>	P-Iris

(\*) for more updated information pls visit original web site of camera manufacturer

### NETWORK

<b>Interface</b>	10BASE-T/100BASE-TX/1000BASE-T
<b>Security</b>	Password protection, IP address filtering, HTTPSa encryption, IEEE 802.1x (EAP-TLS) network access control, digest authentication, user access log, centralized certificate management, brute force delay protection, signed firmware, secure boot, Axis Edge Vault, Axis device ID, secure keystore (CC EAL4 certified), TPM (FIPS 140-2 certified)
<b>ONVIF</b>	ONVIF profile S/T/G/M
<b>Protocols</b>	Pv4, IPv6 USGv6, ICMPv4/ICMPv6, HTTP, HTTPSa, HTTP/2, TLSa, QoS Layer 3 DiffServ, FTP, SFTP, CIFS/SMB, SMTP, mDNS (Bonjour), UPnP®, SNMP v1/v2c/v3 (MIB-II), DNS/DNSv6, DDNS, NTP, RTSP, RTP, SRTP, TCP, UDP, IGMPv1/v2/v3, RTCP, DHCPv4/v6, SOCKS, SSH, SIP, LLDP, CDP, MQTT v3.1.1, Syslog, Link-Local address (ZeroConf)

(\*) for more updated information pls visit original web site of camera manufacturer

### FIBER MEDIA CONVERTER

<b>Interface</b>	100 Base-FX/1000BASE-X
<b>Cabling</b>	Singlemode (9/125 μm) /two fibers/SC connector
<b>Maximum Distance</b>	20km
<b>Wavelength</b>	1310 nm

### IP OVER COAXIAL CONVERTER

<b>Interface</b>	10/100 Base-TX over Coaxial Cable
<b>Bandwidth</b>	Up to 95Mbps downlink/uplink
<b>Maximum Distance</b>	1800m
<b>Technology</b>	Broadband over Power Lines (BPL)
<b>Interference Prevention</b>	IEEE 1901-2010 Inter-System Protocol ISP

### MODELS

<b>TSP1TX01-IP-S</b>	New Generation Stainless Steel PTZ IP camera station, Axis 21x, 24VAC
<b>TSP2TX01-IP-S</b>	New Generation Stainless Steel PTZ IP camera station, Axis 21x, 120VAC
<b>TSP3TX01-IP-S</b>	New Generation Stainless Steel PTZ IP camera station, Axis 21x, 230VAC
<b>TSP1TX01-SM-S</b>	New Generation Stainless Steel PTZ IP camera station, Axis 21x. SM FO Media converter, 24VAC
<b>TSP2TX01-SM-S</b>	New Generation Stainless Steel PTZ IP camera station, Axis 21x. SM FO Media converter, 120VAC
<b>TSP3TX01-SM-S</b>	New Generation Stainless Steel PTZ IP camera station, Axis 21x. SM FO Media converter, 230VAC

- for IP over COAXIAL converter replace the suffix "SM" with "CX"

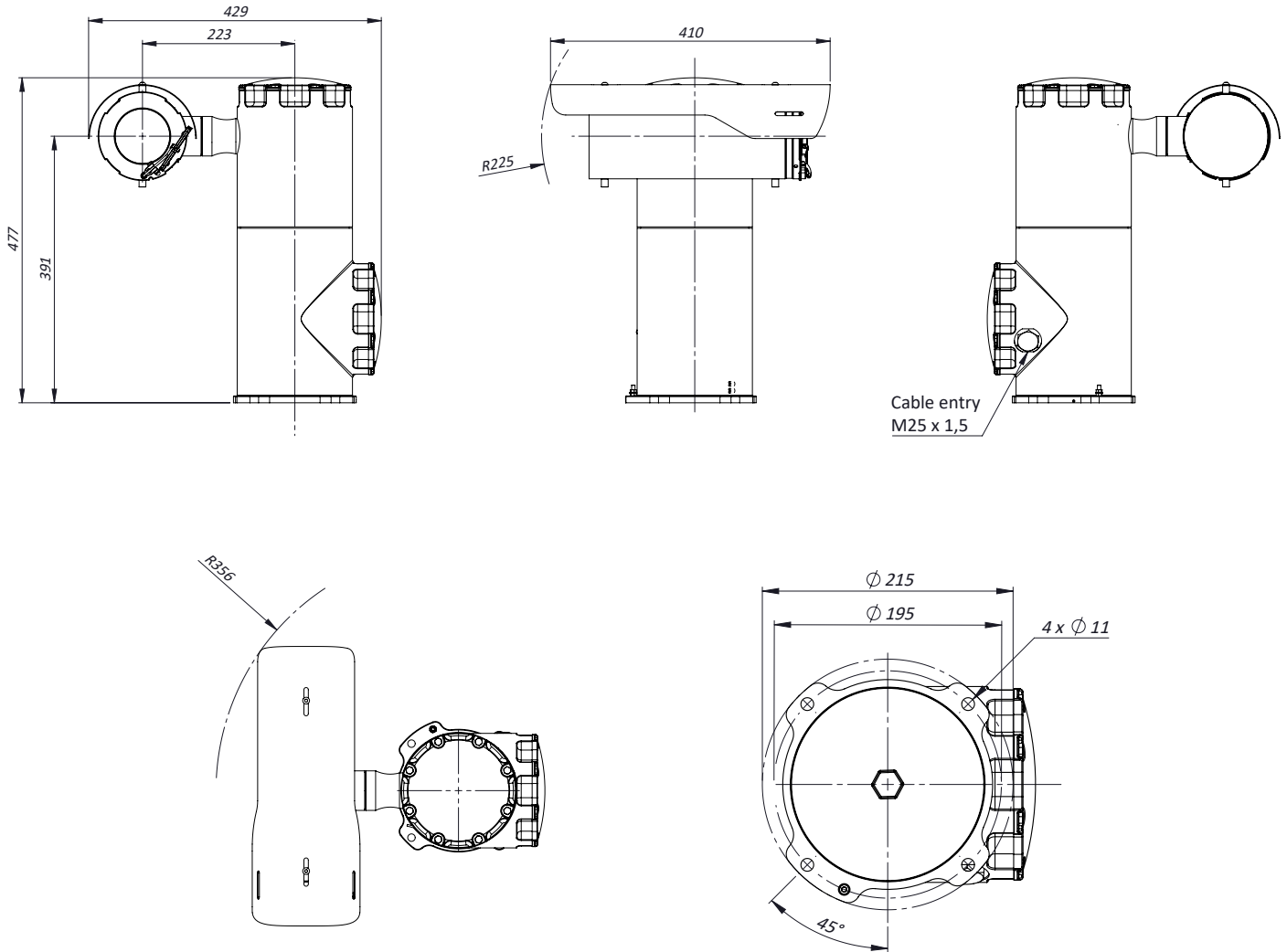
### PRE-ASSEMBLED CABLE TAILS

<b>SAUCCT3-B</b>	3 meters composite cable tail (power, CAT6A, data) with two M25 nickel-plated brass glands
<b>SAUCCTF3-D</b>	3 meters composite cable tail (power, data, fiber optic) with two M25 nickel-plated brass glands. Fiber termination: SC
<b>SAUCCT5-B</b>	5 meters composite cable tail (power, CAT6A, data) with two M25 nickel-plated brass glands
<b>SAUCCTF5-D</b>	5 meters composite cable tail (power, data, fiber optic) with two M25 nickel-plated brass glands. Fiber termination: SC
<b>SAUCCT10-B</b>	10 meters composite cable tail (power, CAT6A, data) with two M25 nickel-plated brass glands
<b>SAUCCTF10-D</b>	10 meters composite cable tail (power, data, fiber optic) with two M25 nickel-plated brass glands. Fiber termination: SC

### ACCESSORIES

<b>SSBK-L</b>	Wall mounting bracket
---------------	-----------------------

## DIMENSIONS



*This is only an example of integration of AXIS camera in Tecnovideo products.  
AXIS Trademark and company logos, marks, product names and emblems are registered trademarks and belong to AXIS Corporation.*

Dimensions in millimetres - Tolerances according QMS - Design and products specifications subject to change without notice - rev. 20241108