

TSP SERIES

INNOVATIVE STAINLESS STEEL INNO PTZ CAMERA HOUSING

SAFE AREA

- **INNOVATIVE PRODUCT, BEST IN CLASS TECHNOLOGY**
- AISI316L STAINLESS STEEL CONSTRUCTION
- INTEGRATED WINDOW WIPER
- VERY LOW POWER CONSUMPTION
- EASY MAINTENANCE
- IP66/67
- OPTIONAL BUILT-IN FIBER MEDIA CONVERTER
- OPTIONAL BUILT-IN IP OVER COAXIAL CONVERTER
- OPTIONAL BUILT-IN 120VAC OR 230VAC POWER SUPPLY



TECHNICAL SPECIFICATIONS

GENERAL & MECHANICAL

Dimensions	See dimensions drawings
Operating Temperature	-60° +60°C, +75°C peak (-76°F +140°F, +167°F peak)
Construction	AISI316L Stainless Steel
Finish	Electro-polished
Mounting	4x Ø11 on 195 PCD
Cable entries	1x M25x1,5 (second cable entry available on demand)
Wiper	Yes
Pan Angle	360° (continuous rotation)
Pan Speed	0 – 40°/second
Pan Torque	20Nm (limited with safety device)
Tilt Angle	180° (+/-90°)
Tilt Speed	0 – 20°/second
Tilt Torque	20Nm (limited with safety device)
Rotation angle	Electronically adjustable limit switches
Backlash	<0,1°
Max preset accuracy	0,04°
Control protocol	Pelco D (RS485)
Weight	Unit: 29kg / Package: 34kg

ELECTRICAL

Temperature Climatization	
- Camera Housing	T[°C] ON = 12 ± 4°C, T[°C] OFF = 20 ± 3°C
- Gear motors	Electronically controlled de-icing
Available voltages	24VAC, 120VAC, 230VAC (+/-10%) 24VDC available on request
Power consumption	•10W min (stationary and heaters/wiper off) •85W Operating (no heaters) •130W MAX (low temperature operation)

CERTIFICATIONS

Ingress Protection	EN 60529 (IP66/IP67)
IK Classification	IK10 on all sides except for the front glass
EMC	EN 55032; EN 55035; EN/IEC 61000-3-2; EN/IEC 61000-3-3; EN/IEC 61000-6-2; EN/IEC 61000-6-4; CISPR-32; CISPR-35
LVD	EN/IEC 62368-1
RoHS	2011/65/EU + 2015/863/EU (RoHS 3)
WEEE	2012/19/EU

FIBER MEDIA CONVERTER

Interface	100 Base-FX/1000BASE-X
Cabling	Singlemode (9/125 µm) /two fibers/SC connector
Maximum Distance	20km
Wavelength	1310 nm

IP OVER COAXIAL CONVERTER

Interface	10/100 Base-TX over Coaxial Cable
Bandwidth	Up to 95Mbps downlink/uplink
Maximum Distance	1800m
Technology	Broadband over Power Lines (BPL)
Interference Prevention	IEEE 1901-2010 Inter-System Protocol ISP

MODELS

TSP1-S	New Generation Stainless Steel PTZ IP camera housing, 24VAC
TSP2-S	New Generation Stainless Steel PTZ IP camera housing, 120VAC
TSP3-S	New Generation Stainless Steel PTZ IP camera housing, 230VAC

- All the above PTZ camera housing include wiper and sunshield.
- Built-in Fiber media converter or IP over Coaxial converter available upon request.

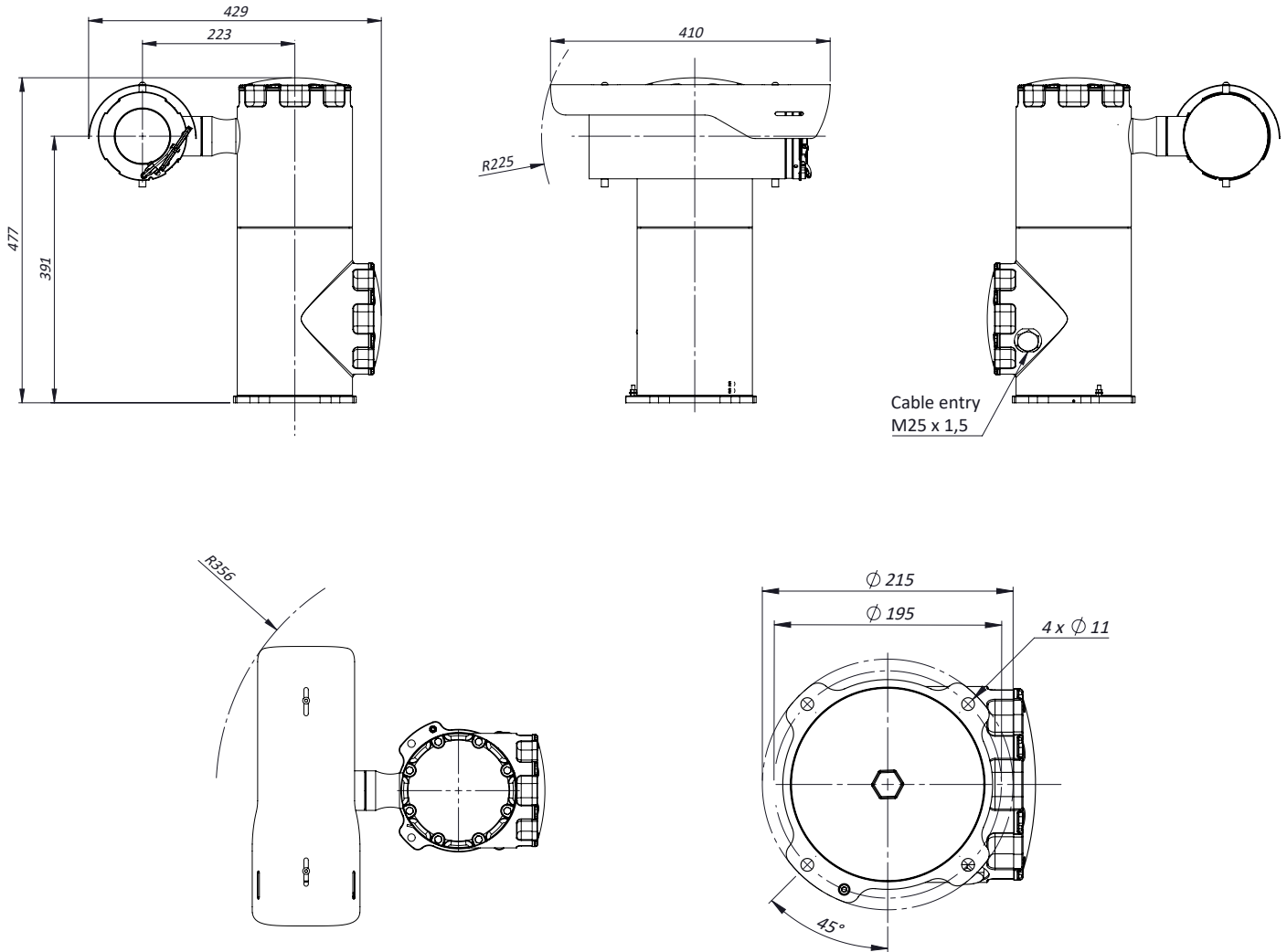
INNOVATIVE STAINLESS STEEL INNO PTZ CAMERA HOUSING**PRE-ASSEMBLED CABLE TAILS**

SAUCCT3-B	3 meters composite cable tail (power, CAT6A, data) with two M25 nickel-plated brass glands
SAUCCTF3-D	3 meters composite cable tail (power, data, fiber optic) with two M25 nickel-plated brass glands. Fiber termination: SC
SAUCCT5-B	5 meters composite cable tail (power, CAT6A, data) with two M25 nickel-plated brass glands
SAUCCTF5-D	5 meters composite cable tail (power, data, fiber optic) with two M25 nickel-plated brass glands. Fiber termination: SC
SAUCCT10-B	10 meters composite cable tail (power, CAT6A, data) with two M25 nickel-plated brass glands
SAUCCTF10-D	10 meters composite cable tail (power, data, fiber optic) with two M25 nickel-plated brass glands. Fiber termination: SC

ACCESSORIES

SSBK-L	Wall mounting bracket
---------------	-----------------------

DIMENSIONS



MAX INTERNAL USABLE AREA

Model	Max internal dimensions [mm]	Max usable internal diameter [mm]
TSP-S	80x80x192	96