

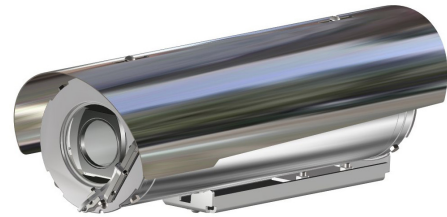
TSFTB SERIES

INNOVATIVE STAINLESS STEEL INNO FIXED CAMERA STATION

SAFE AREA

- **INNOVATIVE PRODUCT, BEST IN CLASS TECHNOLOGY**
- AISI316L STAINLESS STEEL CONSTRUCTION
- OPERATING TEMPERATURE -40°C +60°C (+75°C PEAK)
- INTEGRATED BOSCH DINION IP STARLIGHT CAMERA AND VARIFOCAL LENS
- EDGE RECORDING
- OPTIONAL WINDOW WIPER
- IP66/67
- OPTIONAL BUILT-IN FIBER MEDIA CONVERTER
- OPTIONAL BUILT-IN IP OVER COAXIAL CONVERTER
- OPTIONAL BUILT-IN 120VAC OR 230VAC POWER SUPPLY
- BVMS COMPATIBLE

POWERED BY



TECHNICAL SPECIFICATIONS

GENERAL & MECHANICAL

Dimensions	See dimensions drawings
Operating Temperature	-40°C +60°C, +75°C peak (-40°F +140°F, +167°F peak)
Construction	AISI316L Stainless Steel
Finish	Electro-polished
Mounting	2x M6, centre to centre 63.5mm
Cable entries	2x M20 x1,5, nickel plated brass cable glands included
Wiper	Optional
Weight	Unit: 6 Kg / Package: 7,5 Kg (version with wiper)

ELECTRICAL

Temperature Climatization	T[°C] ON = 12 ± 4°C, T[°C] OFF = 20 ± 3°C
Available voltages	24VAC, 120VAC, 230VAC (+/-10%) 24VDC or PoE available on request
Power consumption	40W MAX

CERTIFICATIONS

Ingress Protection	EN 60529 (IP66/IP67)
EMC	EN 55032; EN 55035; EN/IEC 61000-3-2; EN/IEC 61000-3-3; EN/IEC 61000-6-2; EN/IEC 61000-6-4; CISPR-32; CISPR-35
LVD	EN/IEC 62368-1
RoHS	2011/65/EU + 2015/863/EU (RoHS 3)
WEEE	2012/19/EU

CAMERA

LENS MODEL	DINION IP Starlight CAMERA SERIES	
	6000 HD (6)	7000 HD (7)
LVF-5003C-P2713 (A)	6A	7A
LVF-5005C-S4109 (D)	6D	7D

To order the camera and lens to be integrated in the housing, please specify the related number (X-camera series) and letter (Y-lens model) in the ordering code (see MODELS).

Example: For the housing with integrated DINION IP Starlight 7000 HD (7) and LVF- S4109 (D) the ordering code is: TSF1TB7D-IP-M

(*) For the most up-to-date information about the cameras, please visit the original website of the camera manufacturer

FIBER MEDIA CONVERTER

Interface	100 Base-FX/1000BASE-X
Cabling	Singlemode (9/125 μm) /two fibers/SC connector
Maximum Distance	20km
Wavelength	1310 nm

IP OVER COAXIAL CONVERTER

Interface	10/100 Base-TX over Coaxial Cable
Bandwidth	Up to 95Mbps downlink/uplink
Maximum Distance	1800m
Technology	Broadband over Power Lines (BPL)
Interference Prevention	IEEE 1901-2010 Inter-System Protocol ISP

INNOVATIVE STAINLESS STEEL INNO FIXED CAMERA STATION

MODELS

TSF1TBxy-IP-M	New Generation Stainless Steel FIXED IP camera station with Bosch Dinion, 24VAC
TSF2TBxy-IP-M	New Generation Stainless Steel FIXED IP camera station with Bosch Dinion, 120VAC
TSF3TBxy-IP-M	New Generation Stainless Steel FIXED IP camera station with Bosch Dinion, 230VAC
TSF1TBxy-SM-L	New Generation Stainless Steel FIXED IP camera station with Bosch Dinion, SM FO media converter, 24VAC
TSF2TBxy-SM-L	New Generation Stainless Steel FIXED IP camera station with Bosch Dinion, SM FO media converter, 120VAC
TSF3TBxy-SM-L	New Generation Stainless Steel FIXED IP camera station with Bosch Dinion, SM FO media converter, 230VAC
TSF1TBxyW-IP-L	New Generation Stainless Steel FIXED IP camera station with Bosch Dinion, wiper, 24VAC
TSF2TBxyW-IP-L	New Generation Stainless Steel FIXED IP camera station with Bosch Dinion, wiper, 120VAC
TSF3TBxyW-IP-L	New Generation Stainless Steel FIXED IP camera station with Bosch Dinion, wiper, 230VAC
TSF1TBxyW-SM-L	New Generation Stainless Steel FIXED IP camera station with Bosch Dinion, wiper, SM FO media converter, 24VAC
TSF2TBxyW-SM-L	New Generation Stainless Steel FIXED IP camera station with Bosch Dinion, wiper, SM FO media converter, 120VAC
TSF3TBxyW-SM-L	New Generation Stainless Steel FIXED IP camera station with Bosch Dinion, wiper, SM FO media converter, 230VAC

- X: 6 = Dinion 6000, 7 = Dinion 7000
 - Y: A = LVF-5003C-P2713 Lens, D = LVF-5005C-S4109 lens
 - For IP over COAXIAL converter, replace suffix "SM" with "CX"
 - All the above models include sunshield and heater

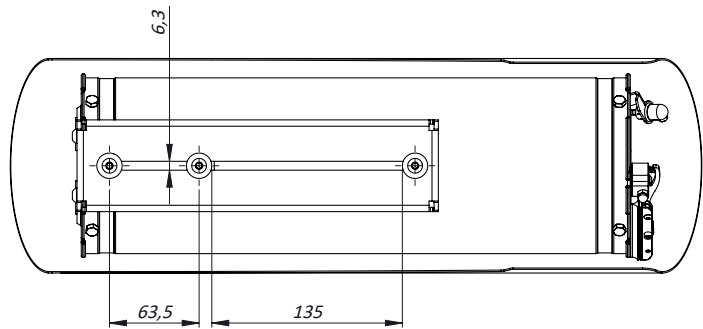
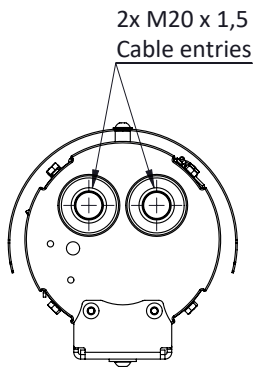
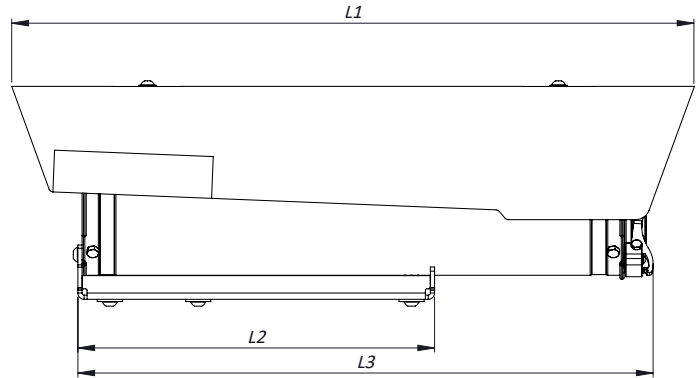
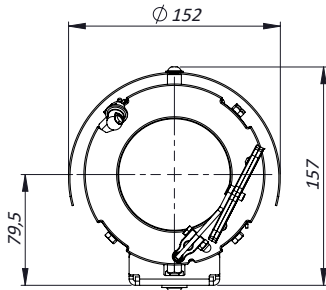
PRE-ASSEMBLED CABLE TAILS

SAUCCT3-A	3 meters composite cable tail (power, CAT6A, data) with two M20 nickel-plated brass glands.
SAUCCTF3-C	3 meters composite cable tail (power, data, fiber optic) with two M20 nickel-plated brass glands. Fiber termination: SC.
SAUCCT5-A	5 meters composite cable tail (power, CAT6A, data) with two M20 nickel-plated brass glands.
SAUCCTF5-C	5 meters composite cable tail (power, data, fiber optic) with two M20 nickel-plated brass glands. Fiber termination: SC.
SAUCCT10-A	10 meters composite cable tail (power, CAT6A, data) with two M20 nickel-plated brass glands.
SAUCCTF10-C	10 meters composite cable tail (power, data, fiber optic) with two M20 nickel-plated brass glands. Fiber termination: SC.

ACCESSORIES

SSBK-S	Wall mounting bracket
SSPM-S	Pole mount adapter for SSBK-S
SSPTM-S	Top pole mount adapter
SSBKCLN-S	Ceiling mounting bracket

DIMENSIONS



MAX EXTERNAL LENGTH

Model	L1 [mm]	L2 [mm]	L3 [mm]
TSFTB-M	490	256	392
TSFTB-L	590	356	492

*This is only an example of integration of Bosch Dinion cameras in Tecnovideo products.
Bosch Trademark and company logos, marks, product names and emblems are registered trademarks and belong to Robert Bosch GmbH.*

Dimensions in millimetres - Tolerances according QMS - Design and products specifications subject to change without notice - rev. 20250416