

- **INNOVATIVE PRODUCT, BEST IN CLASS TECHNOLOGY**
- AISI316L STAINLESS STEEL CONSTRUCTION
- AIR COOLING SYSTEM (VORTEX TUBE)
- IP66/67
- FOR USE IN HIGHLY CORROSIVE ENVIRONMENTS
- SUITABLE FOR ANALOG AND IP CAMERAS
- VISIBLE DAY/NIGHT AND THERMAL VERSIONS AVAILABLE



## TECHNICAL SPECIFICATIONS

### GENERAL & MECHANICAL

<b>Dimensions</b>	See dimensions drawings
<b>Operating Temperature</b>	Up to 100°C/212° F (visible), up to 80°C/176°F (thermal)
<b>Construction</b>	AISI316L Stainless Steel
<b>Finish</b>	Electro-polished
<b>Window</b>	Borosilicate (visible), Germanium Ø 75mm (thermal) AR/DLC coated
<b>Mounting</b>	2x M6, centre to centre 63.5mm
<b>Cable entries</b>	2x M20 x1,5, nickel plated brass cable glands included
<b>Wiper</b>	Front window air jet
<b>Weight</b>	Unit: 5 Kg / Package: 6.5 Kg

### CERTIFICATIONS

<b>Ingress Protection</b>	EN 60529 (IP66/IP67)
<b>RoHS</b>	2011/65/EU + 2015/863/EU (RoHS 3)
<b>WEEE</b>	2012/19/EU

### MODELS

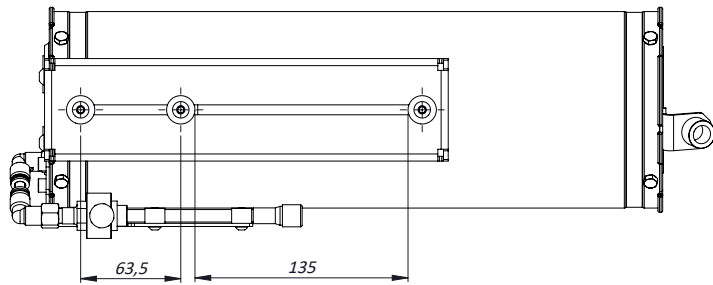
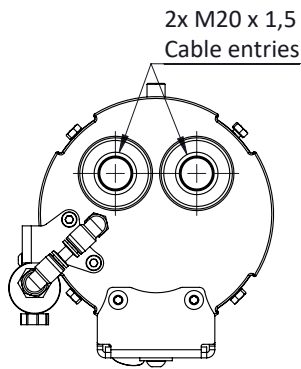
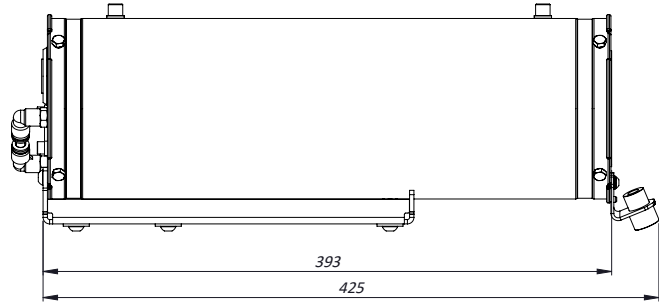
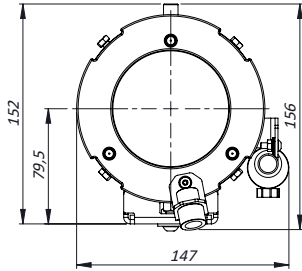
<b>TSF-AC</b>	New Generation AIR COOLED camera housing with Borosilicate (Borofloat®) window, for applications up to 100°C (212°F)
<b>TSF-AC-IR</b>	New Generation AIR COOLED camera housing with Germanium window, for applications up to 80°C (176°F)

For higher temperatures, use the 129LC Liquid-cooled series.

### ACCESSORIES

<b>SSBK-S</b>	Wall mounting bracket
<b>SSBKCLN-S</b>	Ceiling mounting bracket
<b>SSPM-S</b>	Pole mount adapter for SSBK-S
<b>SSPTM-S</b>	Pole TOP mount adapter
<b>ABFL-01</b>	Air filtering group of three filters: 20 µm, 5 µm, 0.1µm in cascade, with pressure regulator, pressure gauge and wall fixing bracket

## DIMENSIONS



### MAX EXTERNAL LENGTH

Model	L1 [mm]	L2 [mm]	L3 [mm]	L4 [mm]
TSF-AC/TSF-AC-IR	490	256	392	135

### MAX INTERNAL USABLE AREA

Model	Max internal dimensions [mm]	Max usable internal diameter [mm]
TSF-AC/TSF-AC-IR	80x80x250	96