

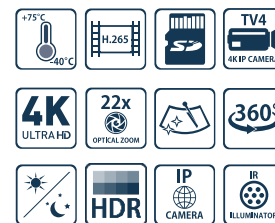
# TECNOVIDEO

CCTV SYSTEMS AND ACCESSORIES

## SECPTZ150TV4 SERIES

DIE-CASTING ALUMINIUM PTZ CAMERA STATION

- DIE-CASTING ALUMINIUM CONSTRUCTION
- HIGH-SPEED ROTATION AND MONITORING
- EASY INSTALLATION AND MAINTENANCE
- WEATHERPROOF STANDARD IP66
- ULTRA HD 4K CAMERA, 30FPS, 22x AF OPTICAL ZOOM
- SUPPORTS 802.1X and SNMP (V1-3)
- ONVIF PROFILE G/S/T COMPLIANT



ONVIF®

### TECHNICAL SPECIFICATIONS

#### GENERAL & MECHANICAL

<b>Dimensions</b>	See drawings next page
<b>Operating Temperature</b>	-40° +65°C (+75°C peak)
<b>Construction</b>	Die-Casting Aluminum
<b>Finish</b>	Powder coating (White Ivory painted)
<b>Mounting</b>	See drawings next page
<b>Wiper</b>	Yes

<b>Pan Angle</b>	360° (continuous rotation)
<b>Pan Speed</b>	0 – 120°/s

<b>Tilt Angle</b>	-90° to +40°
<b>Tilt Speed</b>	0 – 40°/s

<b>Preset</b>	256
<b>Rotation angle</b>	Electronically adjustable
<b>Backlash</b>	<0,2°
<b>Max preset accuracy</b>	+/- 0,1°
<b>Preset Repeatability</b>	+/- 0,05°
<b>Control protocol</b>	Pelco D, 57600 Baudrate
<b>Weight</b>	Unit: 13.7Kg / Package:19.4kg

#### ELECTRICAL

<b>Thermostatically controlled heater</b>	<b>T[°C] ON</b> = 4 ± 4°C, <b>T[°C] OFF</b> = 15 ± 5°C
<b>Available voltage</b>	24VAC (+/-10%)
<b>Unit Max power consumption</b>	40W (Heater off), 100W (Heater on)
<b>IR LED Max power consumption</b>	24W (IR LED on)

#### VIDEO/CAMERA

<b>Sensor</b>	1/1.8" Progressive CMOS
<b>Resolution</b>	4K resolution (3864x2180)
<b>Compression</b>	H.265/H.264/MJPEG
<b>Streaming</b>	Up to 4 configurable streams
<b>Frame Rate</b>	H.265 HDR 4K @30fps + d1 @30fps, H.264 HDR 4K @30fps + d1 @30fps, MJPEG 1080p @30fps
<b>Sensitivity</b>	Color: 0.04 lux, B/W: 0.002 lux
<b>Shutter Speed</b>	1~1/10000 sec.
<b>Dynamic range</b>	WDR/HDR
<b>Lens</b>	22x Optical Zoom Auto Focus, 10x Digital, focal Length 6.4-138.5 mm
<b>Image settings</b>	Color, Brightness, Sharpness, Contrast, White Balance, Exposure Control, 2DNR, 3DNR, NR by Motion, Masking, Text Overlay

#### Event Triggers

#### Event Actions

#### Local Storage Network Storage

#### NETWORK

<b>Interface</b>	10/100 Mbps Ethernet
<b>Security</b>	User Authentication/ HTTPS/ IP Filter/ IEEE 802.1x
<b>ONVIF</b>	ONVIF profile G/S/T compliant
<b>Protocols</b>	IPv4/v6, TCP, UDP, RTP, RTSP, HTTP, HTTPS, ICMP, FTP, SMTP, DHCP, PPPoE, UPnP, IGMP, SNMP, QoS, ARP, NTP

#### LED ILLUMINATOR

<b>LED</b>	IR LED
<b>Wavelength</b>	850nm
<b>Beam patterns</b>	25°

#### CERTIFICATIONS

<b>Ingress Protection</b>	EN 60529 (IP66)
<b>EMC</b>	EN 55032 :2015 [Class A] EN 55035 :2017

#### MODELS

<b>SECPTZ150TV4/24</b>	PTZ camera station, 24VAC, without IR Illuminators
------------------------	--

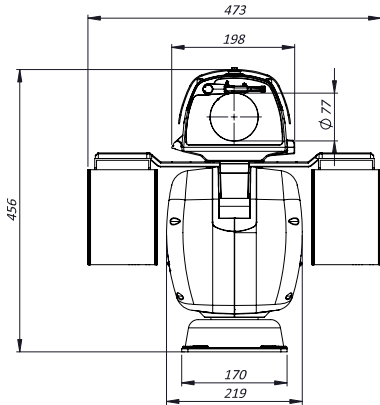
All the above PTZ camera stations include sunshield, heater and integrated wiper, a built-in telemetry receiver, variable speed motors. IR illuminators to be purchased separately.

#### ACCESSORIES

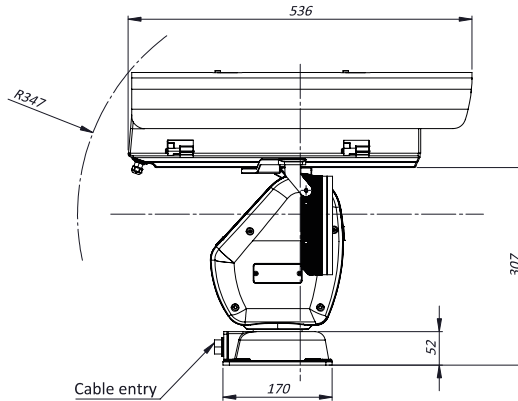
<b>PSU150</b>	230VAC power supply (add-on kit)
<b>IR25150</b>	2x 25° beam pattern IR illuminator (add-on kit)
<b>ALBK150</b>	Wall mounting bracket
<b>WP1010F</b>	10 Liters washer tank, 10meters pump, float switch, frame version, 24VAC
<b>WP1010C</b>	10 Liters washer tank, 10meters pump, float switch, cabinet version, 24VAC

## DIMENSIONS

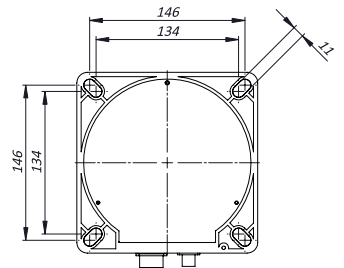
FRONT VIEW (version with IR LED)



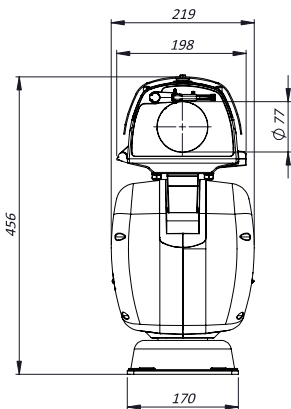
SIDE VIEW (version with IR LED)



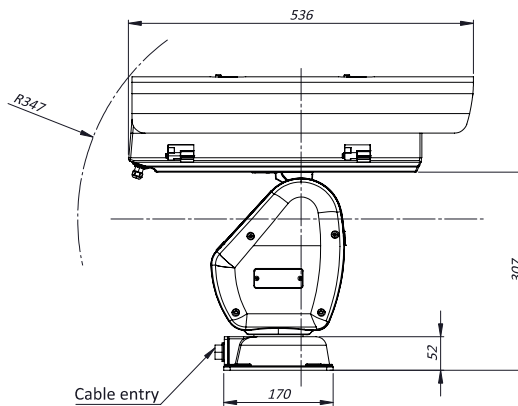
MOUNTING PATTERN



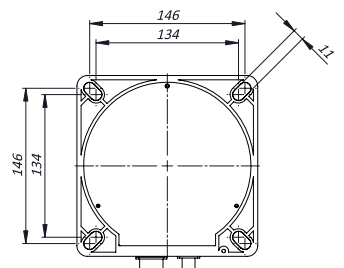
FRONT VIEW (version without IR LED)



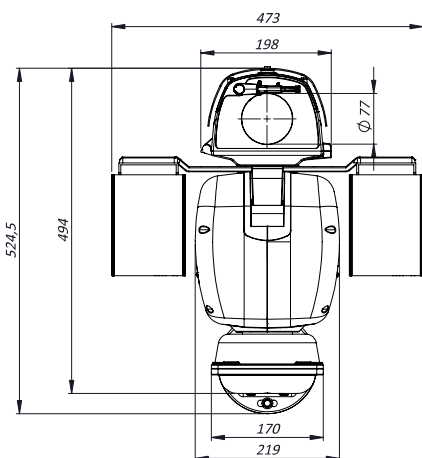
SIDE VIEW (version without IR LED)



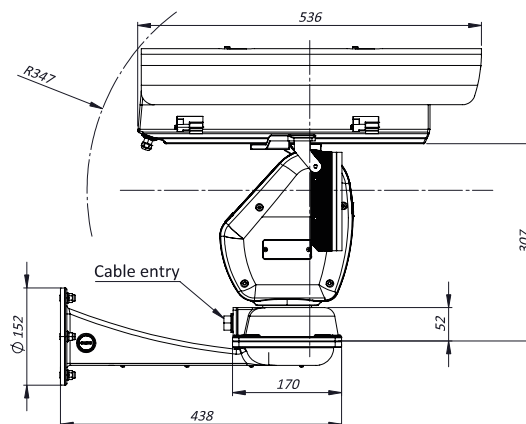
MOUNTING PATTERN



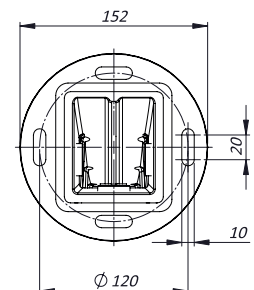
FRONT VIEW (mounting bracket)



SIDE VIEW (mounting bracket)



MOUNTING BRACKET



*The unit cannot be installed upside-down nor horizontally*