

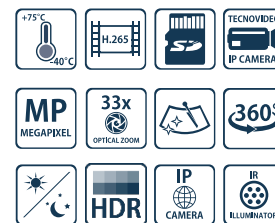
TECNOVIDEO

CCTV SYSTEMS AND ACCESSORIES

SECPTZ150TV2 SERIES

DIE-CASTING ALUMINIUM PTZ CAMERA STATION

- DIE-CASTING ALUMINIUM CONSTRUCTION
- HIGH-SPEED ROTATION AND MONITORING
- EASY INSTALLATION AND MAINTENANCE
- WEATHERPROOF STANDARD IP66
- 3MP CAMERA, 30FPS, 33x OPTICAL ZOOM
- SUPPORTS 802.1X and SNMP (V1-3)
- ONVIF PROFILE G/S/T COMPLIANT



ONVIF | GST

TECHNICAL SPECIFICATIONS

GENERAL & MECHANICAL

Dimensions	See drawings next page
Operating Temperature	-40° +65°C (+75°C peak)
Construction	Die-Casting Aluminum
Finish	Powder coating (White Ivory painted)
Mounting	See drawings next page
Wiper	Yes
Pan Angle	360° (continuous rotation)
Pan Speed	0 – 120°/s
Tilt Angle	-90° to +40°
Tilt Speed	0 – 40°/s
Preset	256
Rotation angle	Electronically adjustable
Backlash	<0,2°
Max preset accuracy	+/- 0,1°
Preset Repeatability	+/- 0,05°
Control protocol	Pelco D, 57600 Baudrate
Weight	Unit: 13.7Kg / Package:19.4kg

ELECTRICAL

Thermostatically controlled heater	T[°C] ON = 4 ± 4°C, T[°C] OFF = 15 ± 5°C
Available voltage	24VAC (+/-10%)
Unit Max power consumption	40W (Heater off), 100W (Heater on)
IR LED Max power consumption	24W (IR LED on)

VIDEO/CAMERA

Sensor	1/2.8" Progressive CMOS, 3MP
Resolution	Up to 2065x1553 @30fps
Compression	H.265/H.264/MJPEG
Streaming	Up to 4 configurable streams
Frame Rate	30 fps
Sensitivity	Color: 0.04 lux, B/W: 0.002 lux
Shutter Speed	1~1/10000 s
Optical Filter	Automatically removable IR-cut filter
White Balance	Contrast White Balance
Dynamic range	WDR/HDR
Lens	33x Optical Zoom Autofocus, 10x Digital Zoom, AF, P-Iris, Auto-Iris; 4.6-152mm; F1.6

Analytics

Image settings

Motion Detection/ Tampering/ Audio detection
Color, Brightness, Sharpness, Contrast, White Balance,
Exposure control, 2DNR/3DNR/NR by motion masking
External Input, Analytics, Network Failure Detection,
Periodical Event, Manual Trigger
External Output Activation
microSD (card not provided)
support for recording to NAS

Event Triggers

Event Actions

Local storage

Network Storage

NETWORK

Interface

Security

ONVIF

Protocols

10/100 Mbps Ethernet
User Authentication/ HTTPS/ IP Filter/ IEEE 802.1x
ONVIF profile G/S/T compliant
IPv4/v6, TCP, UDP, RTP, RTSP, HTTP, HTTPS, ICMP, FTP,
SMTP, DHCP, PPPoE, UPnP, IGMP, SNMP, QoS, ARP, NTP

LED ILLUMINATOR

LED

Wavelength

Beam patterns

IR LED
850nm
25°

CERTIFICATIONS

Ingress Protection

EMC

EN 60529 (IP66)
EN 55032 :2015 [Class A]
EN 55035 :2017

MODELS

SECPTZ150TV2/24

PTZ camera station, 24VAC, without IR Illuminators

All the above PTZ camera stations include sunshield, heater and integrated wiper, a built-in telemetry receiver, variable speed motors. IR illuminators to be purchased separately.

ACCESSORIES

PSU150

230VAC power supply (add-on kit)

IR25150

2x 25° beam pattern IR illuminator (add-on kit)

ALBK150

Wall mounting bracket

WP1010CSF24

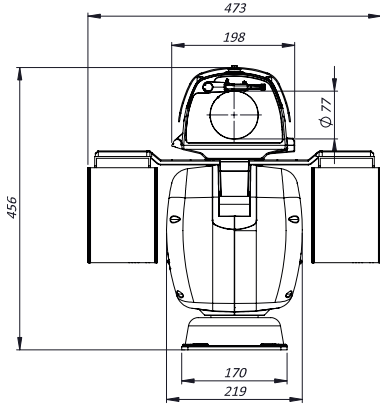
10 Liters washer tank, 10meters pump, float switch, frame version, 24VAC

WP1010CSC24

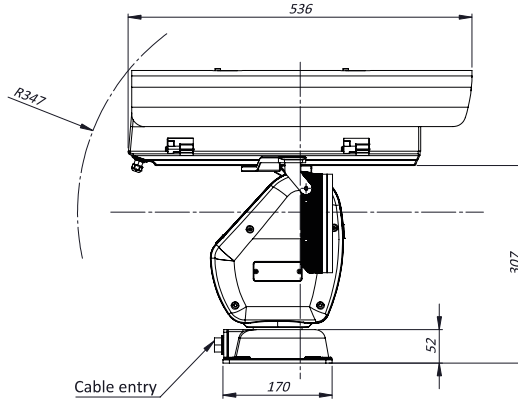
10 Liters washer tank, 10meters pump, float switch, cabinet version, 24VAC

DIMENSIONS

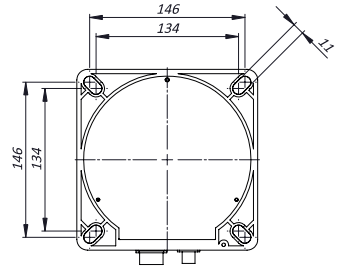
FRONT VIEW (version with IR LED)



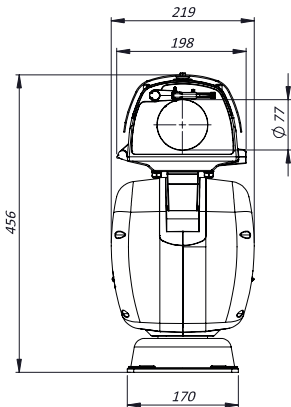
SIDE VIEW (version with IR LED)



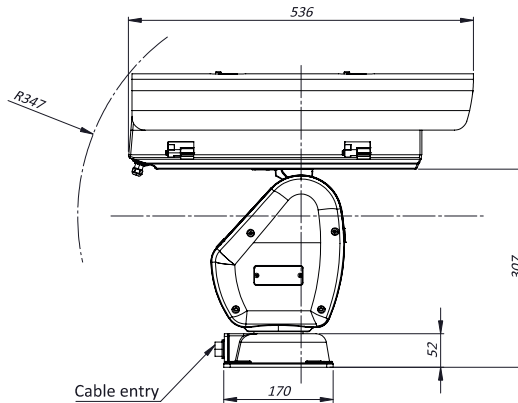
MOUNTING PATTERN



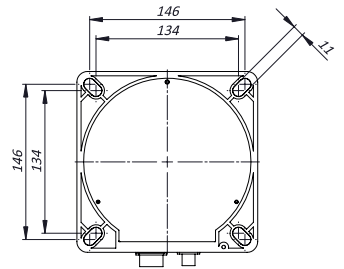
FRONT VIEW (version without IR LED)



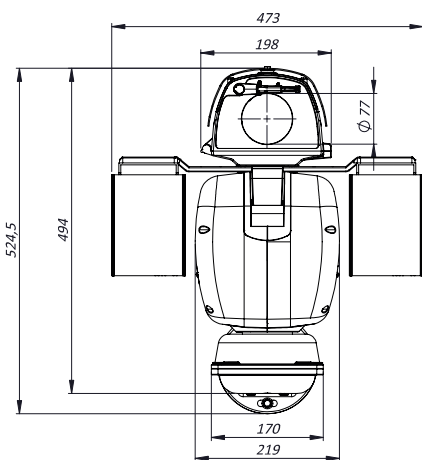
SIDE VIEW (version without IR LED)



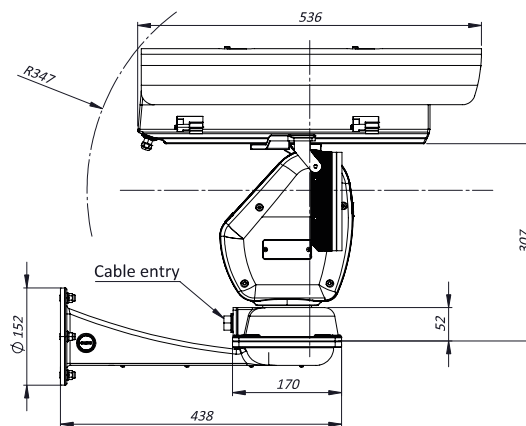
MOUNTING PATTERN



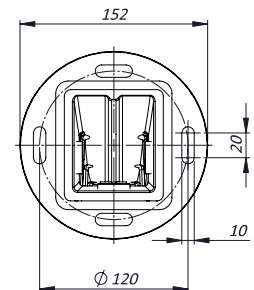
FRONT VIEW (mounting bracket)



SIDE VIEW (mounting bracket)



MOUNTING BRACKET



The unit cannot be installed upside-down nor horizontally