

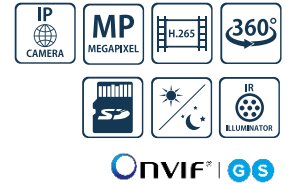
TECNOVIDEO

CCTV SYSTEMS AND ACCESSORIES

SECDOME100 SERIES

SPEED DOME PTZ CAMERA STATION

- 4MP DOME PTZ CAMERA STATION
- BUILT-IN IR ILLUMINATOR, 200MT
- 32X OPTICAL ZOOM, 16X DIGITAL ZOOM
- HIGH QUALITY AUTOFOCUS MOTORIZED ZOOM LENS
- 240°/s HIGH SPEED ROTATION
- PoE++ and 24VAC/DC
- PAINTED ALUMINIUM ALLOY CONSTRUCTION
- WEATHERPROOF STANDARD IP66/IP67
- WIDE DYNAMIC RANGE
- SD EDGE STORAGE
- H.264/H.265



TECHNICAL SPECIFICATIONS

GENERAL & MECHANICAL

Dimensions	See drawings next page
Operating Temperature	-50° +65°C (-58° +149°F), cold start -40°C (-40°F)
Construction	aluminium alloy
Finish	Powder coating (White Ivory painted)
Mounting	See drawings next page
Pan Angle	360° (continuous rotation)
Pan Speed	Configurable, from 0 - 240°/s
Pan Preset Speed	240°/s
Tilt Angle	-25° to 180° (auto-flip at 90°)
Tilt Speed	Configurable, from 0 - 180°/s
Tilt Preset Speed	180°/s
Proportional Zoom	Yes
Preset	300
Cruise	8 cruises, up to 16 presets for each cruise
Track	4 tracks, record time over 3 minutes for each track
Power off memory	Yes
Action mode	Preset/Cruise/Track/Auto Scan/Random Scan
3D Positioning	Yes
PTZ Position Display	Yes
Schedule Task	Preset/Cruise/Track/Random Scan/Dome reboot
Weight	Unit: 6.0kg / Package: 9.8kg

ELECTRICAL

Heater	Thermostatically controlled
Supply voltage	24VAC, 24VDC, PoE+ (802.3.bt, class 7), 230VAC with external power adapter
Power consumption	Max 50W, include IR on, Heater on, Fan working

VIDEO/CAMERA

Sensor	1/1.8" progressive scan CMOS
Resolution	Up to 4MP (2560 × 1440) @25/30fps
Compression	H.265/H.264/MJPEG
Streaming	Up to 3 configurable streams
Frame Rate	selectable 25/30 fps
Sensitivity	color 0.005 Lux @ (F1.5 AGC ON) B/W 0.001 Lux @(F1.5 AGC ON)
Shutter Speed	1~1/10000 s
Optical Filter	IR-cut filter
White Balance	Auto/Manual/Indoor/Outdoor
Dynamic range	WDR 120dB
Lens	32x Optical Zoom Autofocus, 16x Digital Zoom, AF, P-Iris, Auto-Iris; 5.6-179.2mm; F1.5
Smart Detection	Intrusion detection, Line crossing detection, Region entrance detection, Region exiting detection, Unattended baggage detection, Object removal detection, Scene change detection, Support alarm triggering by human or vehicle, filtering flag/animal

Smart Tracking Event Triggers

Manual Tracking, Auto Tracking (human or vehicle)
Alarm actions, such as Preset, Cruise, Track, memory Card Video Record, Trigger Recording, notify Surveillance Center, Upload to FTP/Memory Card, Send Email, etc
microSD/SDHC/SDXC, up to 256G (card not provided) support for recording to NAS

Local storage Network Storage

NETWORK

Interface Security

10/100 Base-TX Ethernet
User authentication (ID and PW), Host authentication (MAC address); HTTPS encryption, IEEE802.1x; IP address filtering

ONVIF Protocols

ONVIF profile G/S compliant
HTTP, HTTPS, IPv4/IPv6, 802.1x, QoS, FTP, SMTP, UPnP, SNMP, DNS, DDNS, NTP, RTSP, RTP, TCP/IP, UDP, IGMP, ICMP, DHCP, PPPoE

LED ILLUMINATOR

LED IR Distance Smart IR

10x IR LEDs
200m (656 feet)
Yes

CERTIFICATIONS

Ingress Protection EMC RoHS

EN 60529 (IP66/IP67)
EN 55032; EN 61000-3-2 ; EN 61000-3-3; EN 55035
2011/65/EU + 2015/863/EU (RoHS 3)

MODELS

SECDOME100

4MP, 32x Optical Zoom, IR 200m, Network PTZ camera, smart tracking, 24VAC/24VDC/PoE++, including wall mount bracket and 230VAC/24VAC external power adapter

ACCESSORIES

PSU100	230VAC external power adapter
ALBK100	Wall mount bracket
ALPM100	Pole Mount bracket
ALCM100	Corner Mount bracket
ALBKCLN100	Ceiling mount bracket

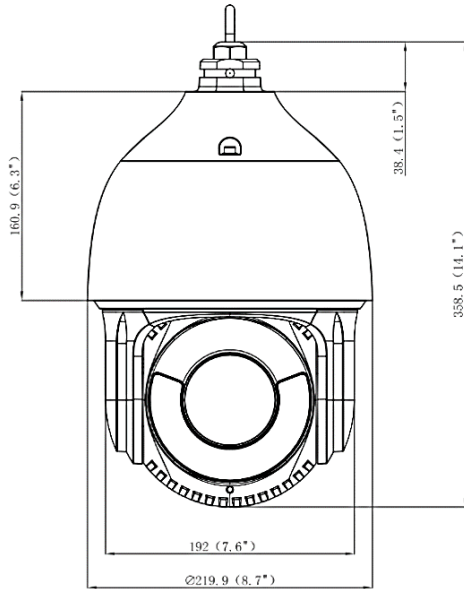
www.tecnovideoocctv.com

Tecnovideo S.r.l. - Via A. De Gasperi, 3 36030 Villaverla (VI) ITALY - Tel. +39.0445.350444 - info@tecnovideoocctv.com

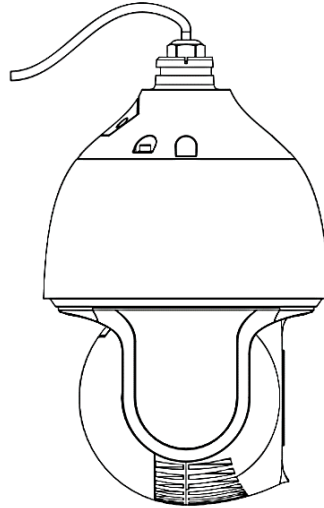
SPEED DOME PTZ CAMERA STATION

DIMENSIONS

FRONT VIEW



SIDE VIEW



Unit: mm(inch)

ALBK100

ALPM100

ALCM100

ALBKCLN100

