

TECNOVIDEO

CCTV SYSTEMS AND ACCESSORIES

SAP250HDSX800

LONG RANGE STAINLESS STEEL PTZ CAMERA STATION

SAFE AREA

- LONG RANGE PTZ POWERED BY FUJINON SX800
- AISI316L STAINLESS STEEL CONSTRUCTION IP66/67
- CAN DETECT OBJECTS UP TO 8KM
- COASTAL PROTECTION, BORDER CONTROL, AIRPORTS
- FULL HD, 40x OPTICAL ZOOM (20-800mm)
- OPTICAL AND ELECTRONIC IMAGE STABILIZER
- HIGH SENSITIVITY SENSOR
- DEHAZING DIGITAL TECHNOLOGY



ONVIF® | S

FUJIFILM

TECHNICAL SPECIFICATIONS

GENERAL & MECHANICAL

Dimensions	See drawings next page
Operating Temperature	-20° +50°C (-4° +122°F)
Construction	AISI316L Stainless Steel
Finish	Electro-polished
Mounting	4x Ø11 on 235 PCD
Cable entries	2x M25x1,5 cable entry
Wiper	Yes
Pan Angle	360° Continuous Rotation
Pan Speed	Variable 0 – 10°/s
Pan Torque	150 Nm
Tilt Angle	180° (+/-90°)
Tilt Speed	Variable 0 – 4°/s
Tilt Torque	250 Nm
Rotation angle	Electrically adjustable
Backlash	< 0,1°
Max preset accuracy	0.01°
Weight	74Kg

ELECTRICAL

Thermostatically controlled heater	T[°C] ON = 12 ± 4°C, T[°C] OFF = 20 ± 3°C
Supply voltage	24VAC, 230VAC (+/-10%)
Max power consumption	160W

VIDEO/CAMERA

Sensor	1/1.8"
Compression	H264
Frame Rate	25fps
Focus Settings	Focus settings Continuous AF, Quick AF, Manual
Iris	Iris Auto, Manual (Aperture range: F4 – F16)
Sensitivity	Color 0.00015lux (at F1.2) / 0.0017lux (at F4.0) B/W 0.0001lux (at F1.2) / 0.0011lux (at F4.0)
Shutter Speed	Auto (with minimum speed selection of 1/8 – 1/125s), Manual (1 – 1/20,000s)
Gain	Gain Manual, AGC, HYPER-AGC (Setting range: ISO400 – 819200)
Optical Filter	Optical filter Visible Light Cut filter (ON / OFF)
Wavelength Selection	950nm, 940nm, 850nm, 808nm, Visible light
White Balance	Auto, Custom 1–2, Fine, Shade, Color Temperature (3000K, 5000K, 9000K)

Dynamic range Selectable Functions

WDR
WDR, Back light correction, Heat haze reduction, Fog reduction, Noise reduction, Brightness, Contrast, Saturation, Sharpness

Image Stabilization Lens

Auto, OIS, EIS, OFF
40x Optical Auto Focus, 20-800mm,
Angle of view W: 21.0° x 11.8° T: 0.55° x 0.31°
UHS-1 compatible 8GB+ SD card

Local Storage

NETWORK

Interface Ethernet (10Base -T, 100Base-TX, RJ45 connector)
Security HTTPS, SSL/TLS
ONVIF ONVIF profile S
Protocols ICMP, ARP, TCP/IP, UDP/IP, HTTP, HTTPS, FTP, SMTP, DHCP, DNS, NTP, SSL/TLS

CERTIFICATIONS

Ingress Protection EN60529 (IP66/IP67)
EMC EN50130-4; EN/IEC61000-6-2; EN/IEC61000-6-4;
LVD EN60950-1; EN60950-22
RoHS 2011/65/EU
WEEE 2012/19/EU

MODELS

SAP250HDSX800-CR/24	Long Range PTZ Camera Station, 24VAC
SAP250HDSX800-CR/230	Long Range PTZ Camera Station, 230VAC

CONDUIT TAILS

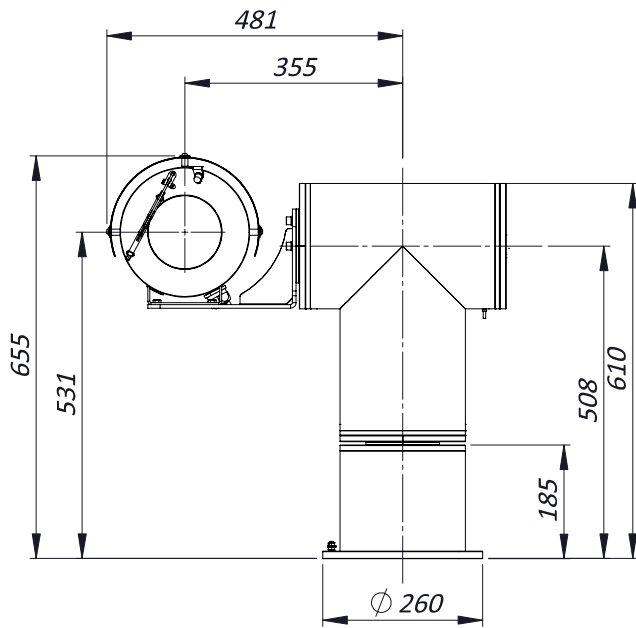
SACTN25IP5	5 meters 25mm flexible metallic polyurethane coated conduit tail, including copper wires (3C power, 2C pump, CAT5e) and two M25 nickel plated brass glands.
SACTN25IP10	10 meters 25mm flexible metallic polyurethane coated conduit tail, including copper wires (3C power, 2C pump, CAT5e) and two M25 nickel plated brass glands.

www.tecnovideoocctv.com

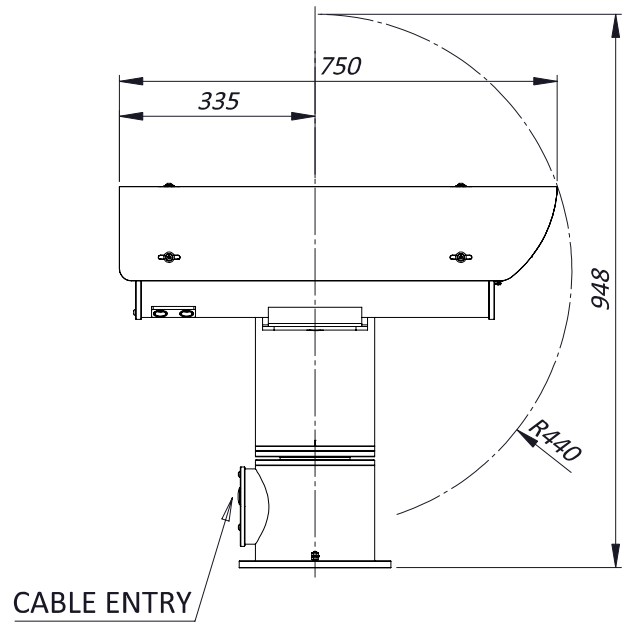
Tecnovideo S.r.l. - Via A. De Gasperi, 3 36030 Villaverla (VI) ITALY - Tel. +39.0445.350444 - info@tecnovideoocctv.com

DIMENSIONS

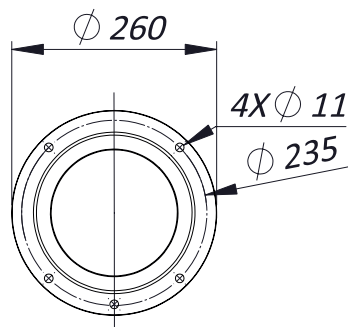
FRONT VIEW



SIDE VIEW



MOUNTING PATTERN



The unit cannot be installed upside-down nor horizontally