

# TECNOVIDEO

CCTV SYSTEMS AND ACCESSORIES

## SAP250DUALTV2 SERIES

STAINLESS STEEL PTZ DUAL CAMERA STATION

- AISI316L STAINLESS STEEL PTZ DUAL VISIBLE + THERMAL
- 3MP CAMERA, 30FPS, 33x AUTOFOCUS OPTICAL ZOOM
- SUITABLE FOR THIRD PARTY THERMAL IP CAMERAS
- WEATHERPROOF STANDARD IP66/IP67
- OPERATING TEMPERATURE -40°C +60°C (+75°C PEAK)
- OPTIONAL BUILT-IN FIBER MEDIA CONVERTER
- SUPPORTS 802.1X and SNMP (V1-3)
- SD EDGE STORAGE



ONVIF | G | S | T

### TECHNICAL SPECIFICATIONS

#### GENERAL & MECHANICAL

<b>Dimensions</b>	See drawings next page
<b>Operating Temperature</b>	-40°C +60°C, +75°C peak (-40°F +140°F, +167°F peak)
<b>Construction</b>	AISI316L Stainless Steel
<b>Finish</b>	Electro-polished
<b>Mounting</b>	4x Ø11 on 195 PCD
<b>Cable entries</b>	2x M25x1,5 cable entries
<b>Wiper</b>	Yes (visible camera)
<b>Pan Angle</b>	360° (continuous rotation)
<b>Pan Speed</b>	0 – 40°/second
<b>Pan Torque</b>	20Nm (limited with safety device)
<b>Tilt Angle</b>	180° (+/-90°)
<b>Tilt Speed</b>	0 – 20°/second
<b>Tilt Torque</b>	20Nm (limited with safety device)
<b>Rotation angle</b>	Electronically adjustable
<b>Backlash</b>	<0,1°
<b>Max preset accuracy</b>	0,04°
<b>Control protocol</b>	Pelco D (via RS485)
<b>Weight</b>	Unit: 39kg / Gross weight: 42kg

#### ELECTRICAL

<b>Thermostatically controlled heater</b>	<b>T[°C] ON</b> = 12 ± 4°C, <b>T[°C] OFF</b> = 20 ± 3°C
<b>Supply voltage</b>	24VAC, 230VAC (+/-10%)
<b>Power consumption</b>	120W

#### VIDEO/CAMERA

<b>Sensor</b>	1/2.8" Progressive CMOS, 3MP
<b>Resolution</b>	Up to 2065x1553 @30fps
<b>Compression</b>	H.265/H.264/MJPEG
<b>Streaming</b>	Up to 4 configurable streams
<b>Frame Rate</b>	30 fps
<b>Iris</b>	Auto-Iris, F1.6
<b>Sensitivity</b>	Color: 0.04 lux, B/W: 0.002 lux
<b>Shutter Speed</b>	1~1/10000 s
<b>Optical Filter</b>	Automatically removable IR-cut filter
<b>White Balance</b>	Contrast White Balance
<b>Dynamic range</b>	WDR/HDR
<b>Lens</b>	33x Optical Zoom Autofocus, 10x Digital Zoom, AF, P-Iris, Auto-Iris; 4.6-152mm; F1.6
<b>Image settings</b>	Color, Brightness, Sharpness, Contrast, White Balance, Exposure control, 2DNR/3DNR/NR by motion masking
<b>Event Triggers</b>	External Input, Analytics, Network Failure Detection, Periodical Event, Manual Trigger
<b>Event Actions</b>	External Output Activation
<b>Analytics</b>	Motion Detection/ Tampering/ Audio detection

<b>Local Storage</b>	microSD (card not provided)
<b>Network Storage</b>	support for recording to NAS

#### VIDEO/CAMERA THERMAL

Various combinations of QVGA/VGA thermal cameras and lenses are available, 9Hz or 25Hz

#### NETWORK

<b>Interface</b>	10/100 Mbps Ethernet
<b>Security</b>	User Authentication/ HTTPS/ IP Filter/ IEEE 802.1x
<b>ONVIF</b>	ONVIF profile G/S/T compliant
<b>Protocols</b>	IPv4/v6, TCP, UDP, RTP, RTSP, HTTP, HTTPS, ICMP, FTP, SMTP, DHCP, PPPoE, UPnP, IGMP, SNMP, QoS, ARP, NTP

#### FIBER OPTIC MEDIA CONVERTER

<b>Interface</b>	SC connectors (10/100 Base-TX)
<b>Cabling</b>	Singlemode (9/125 µm) /2-fiber/SC
<b>Maximum distance</b>	20km
<b>Wavelength</b>	1310 nm

#### CERTIFICATIONS

<b>Ingress Protection</b>	EN 60529 (IP66/IP67)
<b>EMC</b>	EN/IEC 61000-6-2; EN/IEC 61000-6-4; EN 50130-4; EN 55035
<b>LVD</b>	EN 60950-1 ; EN 60950-22
<b>RoHS</b>	2011/65/EU + 2015/863/EU (RoHS 3)
<b>WEEE</b>	2012/19/EU

#### MODELS

<b>SAP250DUALTV2-CR/24</b>	AISI316L DUAL PTZ with 3MP 33x IP Day/Night camera and housing with Germanium window for thermal camera, 24VAC
<b>SAP250DTV2-CR/230</b>	AISI316L DUAL PTZ with 3MP 33x IP Day/Night camera and housing with Germanium window for thermal camera, 230VAC

Fiber Optic media converter available upon request.

#### PRE-ASSEMBLED CONDUIT TAILS

<b>SACTN25IP3</b>	3 meters flexible metallic polyurethane coated conduit tail, with copper wires (3C pump, 2C pump, CAT5e) and two M25 nickel-plated brass glands.
<b>SACTN25IP5</b>	5 meters flexible metallic polyurethane coated conduit tail, with copper wires (3C pump, 2C pump, CAT5e) and two M25 nickel-plated brass glands.
<b>SACTN25IP10</b>	10 meters flexible metallic polyurethane coated conduit tail, with copper wires (3C pump, 2C pump, CAT5e) and two M25 nickel-plated brass glands.

#### ACCESSORIES

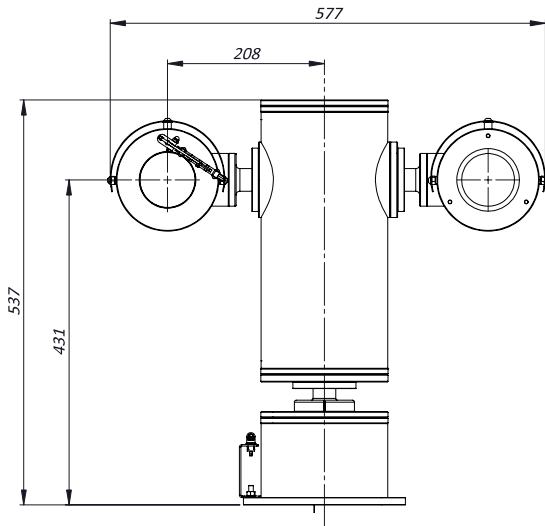
<b>SSBK-L</b>	Wall mounting bracket
---------------	-----------------------

[www.tecnovideoocctv.com](http://www.tecnovideoocctv.com)

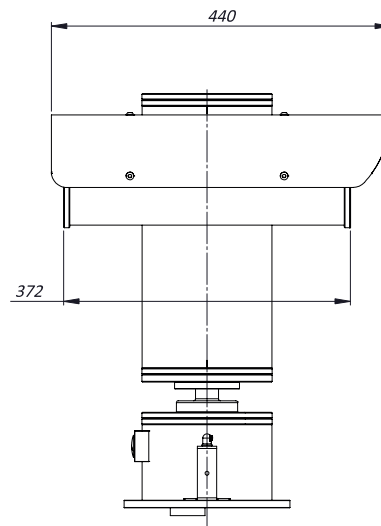
Tecnovideo S.r.l. - Via A. De Gasperi, 3 36030 Villaverla (VI) ITALY - Tel. +39.0445.350444 - [info@tecnovideoocctv.com](mailto:info@tecnovideoocctv.com)

DIMENSIONS

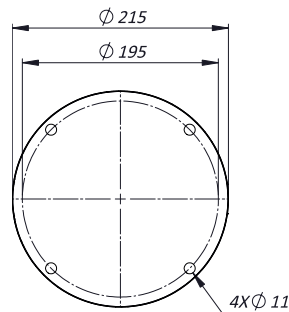
FRONT VIEW



SIDE VIEW



MOUNTING PATTERN



MAX EXTERNAL LENGTH

Model	L1 [mm]	Height	L2 [mm]	Width
SAP250DUALTV2-CR/24	537		440	
SAP250DUALTV2-CR/230	537		440	

*The unit cannot be installed upside-down nor horizontally*