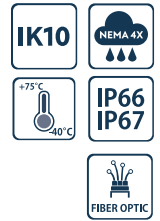


SAJBe SERIES

STAINLESS STEEL JUNCTION BOX

SAFE AREA

- AISI316L STAINLESS STEEL CONSTRUCTION
- WEATHERPROOF STANDARD IP66/IP67
- IK10 SHOCK RESISTANCE
- FOR USE IN HIGHLY CORROSIVE ENVIRONMENTS
- IDEAL FOR ONSHORE AND OFFSHORE APPLICATIONS



TECHNICAL SPECIFICATIONS

GENERAL & MECHANICAL

Dimensions	See drawings next page
Operating Temperature	-40° +75°C (-40° +167° F)
Construction	AISI316L Stainless Steel
Finish	Pickling
Gaskets	Silicon rubber (suitable for use -70°C/+200°C)
Hardware and Screws	AISI316L Stainless Steel
Mounting	4x on 310x240
Shock Resistance	IK10
Weight	7,0kg

ELECTRICAL

Cable entries	2 x Ø25,2mm 4 x Ø20,2mm
Terminal Blocks	3 x 2.5mm ² (Power connection) 3 x 2.5mm ² (Washer Out connection) 4 x 2.5mm ² (Spare DI/DO connection)

ETHERNET CONNECTIONS

Ethernet Terminal Blocks 8 wires x 2.5mm² (10/100/1000Base-TX)
The above Ethernet Connections are available only on SAJBe10IP version.

Fiber Splice Tray 6 fibers x SC Duplex Fiber Adapter (100/1000Base-FX)
Singlemode (9/125 µm), 2-fiber, SC Duplex
Integrated max 12 ports Singlemode FO
The above Fiber Optic Connections are available only on SAJBe10FO version.

CERTIFICATIONS

Ingress Protection EN60529 (IP66/IP67), NEMA TYPE 1; 4; 4X; 12

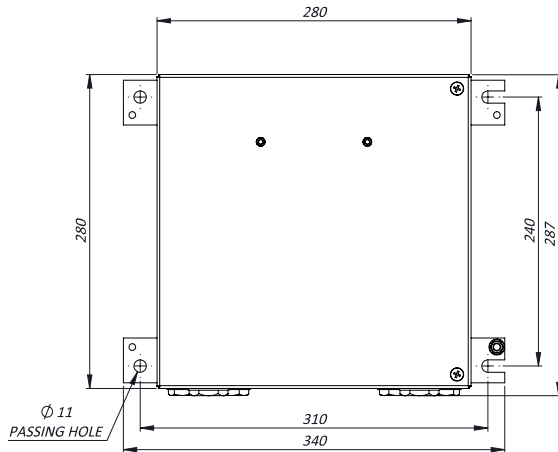
MODELS

SAJBe10IP/24	Junction Box with Ethernet connections, 24VAC
SAJBe10IP/115	Junction Box with Ethernet connections, 115VAC
SAJBe10IP/230	Junction Box with Ethernet connections, 230VAC
SAJBe10FO/24	Junction Box with Fiber Optic connections, 24VAC
SAJBe10FO/115	Junction Box with Fiber Optic connections, 115VAC
SAJBe10FO/230	Junction Box with Fiber Optic connections, 230VAC

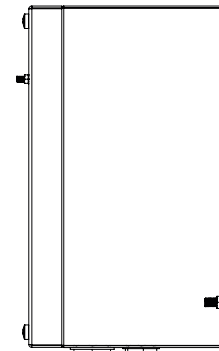
STAINLESS STEEL JUNCTION BOX

DIMENSIONS

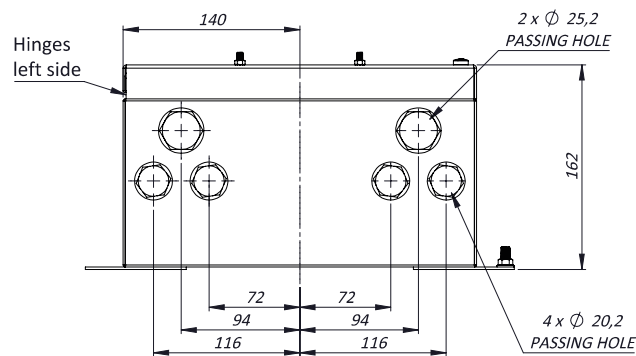
FRONT VIEW



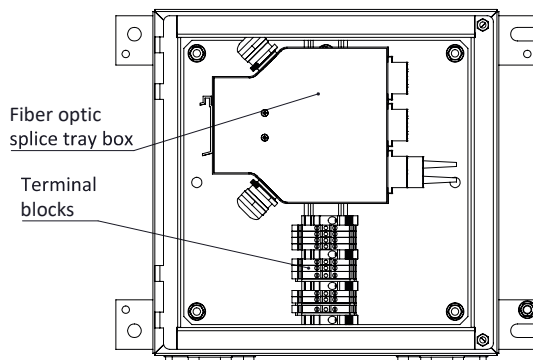
SIDE VIEW



BELOW VIEW



INTERNAL VIEW (SAJBe10FO VERSION)



INTERNAL VIEW (SAJBe10IP VERSION)

