

TECNOVIDEO

CCTV SYSTEMS AND ACCESSORIES

SAF129TV2 SERIES

STAINLESS STEEL FIXED CAMERA STATION

SAFE AREA

- AISI316L STAINLESS STEEL CAMERA
- 3MP CAMERA, 30FPS, 33x AUTOFOCUS OPTICAL ZOOM
- WEATHERPROOF STANDARD IP66/IP67
- OPERATING TEMPERATURE -40°C +60°C (+75°C PEAK)
- OPTIONAL BUILT-IN FIBER MEDIA CONVERTER
- OPTIONAL POE
- SUPPORTS 802.1X and SNMP (V1-3)
- SD EDGE STORAGE



ONVIF® G S T

TECHNICAL SPECIFICATIONS

GENERAL & MECHANICAL

Dimensions	See drawings next page
Operating Temperature	-40°C +60°C, +75°C peak (-40°F +140°F, +167°F peak)
Construction	AISI316L Stainless Steel
Finish	Electro-polished
Mounting	See drawings next page
Cable entries	2x M20x1,5 nickel plated brass cable glands (included) Standard cable diameter 5-10mm

Wiper	Yes
Weight	
Model	Unit [kg] Package [kg]
SAF129TV2	8 9,5
SAF129WRTV2	9 10,5

ELECTRICAL

Thermostatically controlled heater	T[°C] ON = 12 ± 4°C, T[°C] OFF = 20 ± 3°C
Available voltages	24VAC, 230VAC (+/-10%) PoE available upon request.
Power consumption	25W

VIDEO/CAMERA

Sensor	1/2.8" Progressive CMOS, 3MP
Compression	M-JPEG/H.264/H.265
Streaming	Up to 4 configurable streams
Resolution	Up to 2065x1553 @30fps
Frame Rate	30 fps
Sensitivity	Color: 0.04 lux, B/W: 0.002 lux
Shutter Speed	1~1/10000 s
Dynamic range	WDR/HDR
Image settings	Color, Brightness, Sharpness, Contrast, White Balance, Exposure control, 2DNR/3DNR/NR by motion masking
Event Triggers	External Input, Analytics, Network Failure Detection, Periodical Event, Manual Trigger
Event Actions	External Output Activation
Analytics	Motion Detection/ Tampering/ Audio detection
Lens	33x Optical Zoom, 10x Digital Zoom, AF, P-Iris, Auto-Iris; 4.6-152mm; F1.6
Local Storage	microSD (card not provided)
Network Storage	support for recording to NAS

NETWORK

Interface	10/100 Mbps Ethernet
Security	User Authentication/ HTTPS/ IP Filter/ IEEE 802.1x
ONVIF	ONVIF profile G/S/T compliant
Protocols	IPv4/v6, TCP, UDP, RTP, RTSP, HTTP, HTTPS, ICMP, FTP, SMTP, DHCP, PPPoE, UPnP, IGMP, SNMP, QoS, ARP, NTP

CERTIFICATIONS

Ingress Protection (EN 60529)	IP66/IP67 for all models IP68 for models without wiper
EMC	EN 50130-4; EN/IEC 61000-6-2; EN/IEC 61000-6-4
LVD	EN 60950-1; EN 60950-22
RoHS	2011/65/EU + 2015/863/EU (RoHS 3)
WEEE	2012/19/EU

MODELS

SAF129TV2/24	Fixed camera station, MEDIUM size, 24VAC
SAF129TV2/230	Fixed camera station, MEDIUM size, 230VAC
SAF129TV2FO-L/24	Fixed camera station, LONG size, SM FO media converter, 24VAC
SAF129TV2FO-L/230	Fixed camera station, LONG size, SM FO media converter, 230VAC
SAF129WRTV2/24	Fixed camera station, MEDIUM size, wiper, 24VAC
SAF129WRTV2/230	Fixed camera station, MEDIUM size, wiper, 230VAC
SAF129WRTV2FO-L/24	Fixed camera station, LONG size, wiper, SM FO media converter, 24VAC
SAF129WRTV2FO-L/230	Fixed camera station, LONG size, wiper, SM FO media converter, 230VAC

All the above models include sunshield and heater.
The models with wiper also include a telemetry receiver.

Available upon request: Built-in PoE splitter (for models without wiper)

PRE-ASSEMBLED CONDUIT TAILS

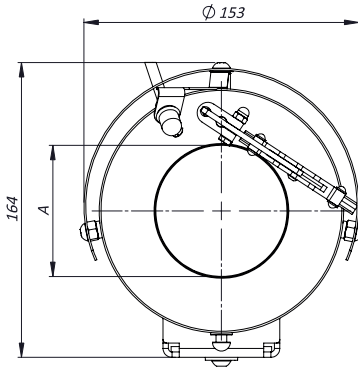
SAUCCT3-A	3 meters composite cable tail (power, Ethernet, data) with 2x M20 nickel-plated brass glands.
SAUCCTF3-C	3 meters composite cable tail (power, data, fiber optic) with 2x M20 nickel-plated brass glands. Fiber termination: SC.
SAUCCT5-A	5 meters composite cable tail (power, Ethernet, data) with 2x M20 nickel-plated brass glands.
SAUCCTF5-C	5 meters composite cable tail (power, data, fiber optic) with 2x M20 nickel-plated brass glands. Fiber termination: SC.
SAUCCT10-A	10 meters composite cable tail (power, Ethernet, data) with 2x M20 nickel-plated brass glands.
SAUCCTF10-C	10 meters composite cable tail (power, data, fiber optic) with 2x M20 nickel-plated brass glands. Fiber termination: SC.

ACCESSORIES

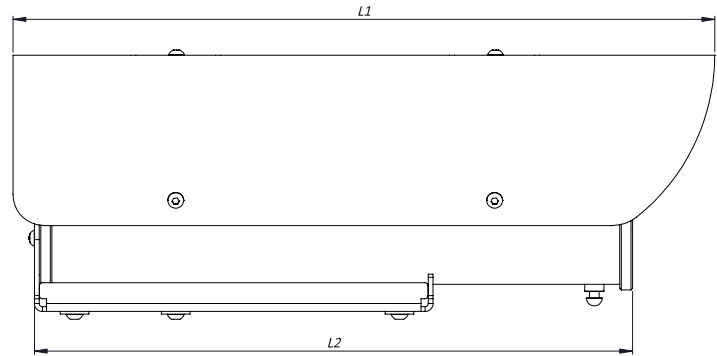
SSBK-S	Wall mounting bracket
SSBKCLN-S	Ceiling mounting bracket
SSPM-S	Pole mount adapter for SSBK-S bracket
SSPTM-S	Pole TOP mount adapter

DIMENSIONS

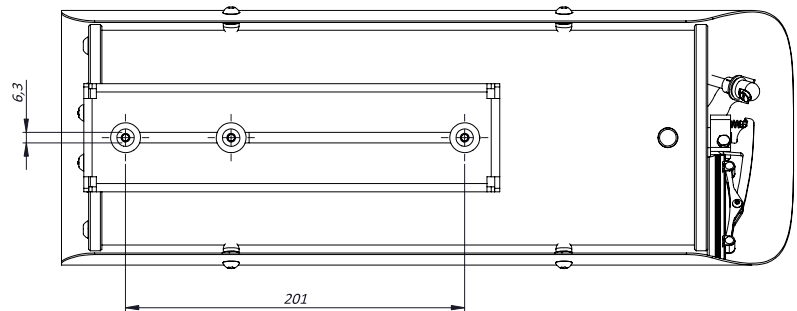
FRONT VIEW



SIDE VIEW



MOUNTING PATTERN



FOR "A" VALUES CHECK "MODELS" SECTION

MAX EXTERNAL LENGTH

Model	L1 [mm]	L2 [mm]
SAF129TV2/24	440	375
SAF129TV2/230	440	375
SAF129TV2FO-L/24	540	475
SAF129TV2FO-L/230	540	475
SAF129WRTV2/24	440	375
SAF129WRTV2/230	440	375
SAF129WRTV2FO-L/24	540	475
SAF129WRTV2FO-L/230	540	475