

TECNOVIDEO

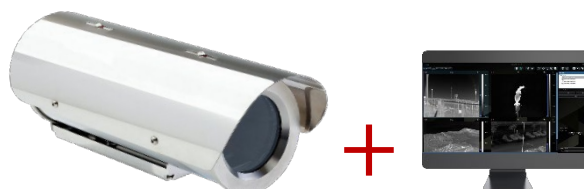
CCTV SYSTEMS AND ACCESSORIES

SAF129TGD2

GAS DETECTION/FLAME DETECTION THERMAL CAMERA

TVTherm

- GAS DETECTION/GAS QUANTIFICATION CAMERA
- DETECTS **METHANE, SULFUR DIOXIDE, VOCs**
- FLAME DETECTION
- INTELLIGENT THERMOGRAPHY
- DETECTION OF PEOPLE ENTERING RISKY AREAS
- WEATHERPROOF STANDARD IP66/67
- AISI316L STAINLESS STEEL CONSTRUCTION
- 1CH LICENSE TVTHERM SOFTWARE



SAF129TGD2 is an innovative system that, combined with TVTherm software, provides continuous and automatic monitoring of industrial areas. It's a hardware and software solution, based on infrared thermography and real-time computer image processing. SAF129TGD2 is a high sensitivity uncooled thermal camera that delivers best quality thermal images, and TVTherm is a very advanced software with innovative algorithms that provides intelligent solutions.

Main features:



Gas Detection and Quantification: capability to immediately detect, localize and visualize gas leaks of METHANE, SULFUR DIOXIDE and VOCs. It can provide also a quantity estimation. The detection area is adjustable based on camera position and distance



Flame Detection: detection of a fire point, with immediate localization and visualization. Capable of detection over large areas. High immunity to false alarms



Intelligent Thermography: high accuracy temperature measurement and detection of hot/cold spots



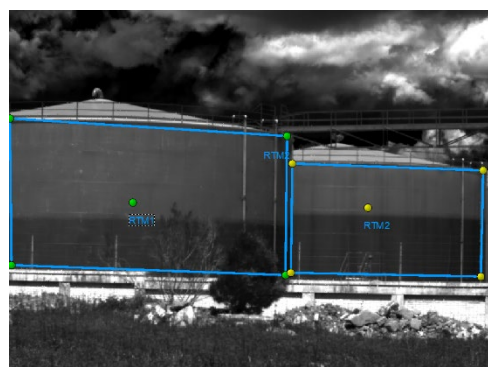
Surveillance: detection of people entering into dangerous areas or crossing virtual lines



Tank Leveling: Monitoring and quantity estimation of the liquid level in storage tanks

Main TVTherm functionalities:

- **24/7 Monitoring:** automatically alerts of any event
- **Logs:** all events are recorded together with event videos
- **Reporting:** event alarms are sent to the Control Center. Several Security and Industrial protocols are supported.



TECHNICAL SPECIFICATIONS

GENERAL & MECHANICAL

Dimensions	See drawings next page
Operating Temperature	-20° +55°C (-4°F +131°F)
Window	Germanium, Hard Carbon coated
Construction	AISI316L Stainless Steel
Finish	Electro-polished
Mounting	See drawings next page
Cable entries	2x M20x1,5 cable entries
Weight	Unit: 11Kg / Package: 12Kg

ELECTRICAL

Thermostatically controlled heater	T[°C] ON = 12 ± 4°C, T[°C] OFF = 20 ± 3°C
Available voltages	24VAC, 230VAC (+/-10%)
Max power consumption	25W

VIDEO/CAMERA

Sensor	Uncooled FPA 640 x 480 array, 17µm pitch
Compression	Uncompressed video
Frame Rate	9/25Hz
Sensitivity	NETD < 22mK @ +30°C
Accuracy	± 1°C (from 0°C to 60°C)
Lens	Tele 12°x9° (50mm) Medium 18°x13° (35mm) Wide 31°x23° (20mm)

NETWORK

Interface	Ethernet 1000 Base-TX/FX
------------------	--------------------------

CERTIFICATIONS

Ingress Protection	EN60529 (IP66/IP67)
EMC	EN50130-4; EN55035 ; EN/IEC61000-6-2; EN/IEC61000-6-4
LVD	EN 60950-1 ; EN 60950-2
RoHS	2011/65/EU + 2015/863/EU (RoHS 3)
WEEE	2012/19/EU

MODELS

SAF129TGD2.V.20/24	Gas Detection/Gas Quantification thermal camera, IP66/67, 640x480, 9Hz, 20mm lens. 24VAC. License 1ch TVTherm software.
SAF129TGD2.V.35/24	Gas Detection/Gas Quantification thermal camera, IP66/67, 640x480, 9Hz, 35mm lens. 24VAC. License 1ch TVTherm software.
SAF129TGD2.V.50/24	Gas Detection/Gas Quantification thermal camera, IP66/67, 640x480, 9Hz, 50mm lens. 24VAC. License 1ch TVTherm software.
SAF129TGD2.V.20/230	Gas Detection/Gas Quantification thermal camera, IP66/67, 640x480, 9Hz, 20mm lens. 230VAC. License 1ch TVTherm software.
SAF129TGD2.V.35/230	Gas Detection/Gas Quantification thermal camera, IP66/67, 640x480, 9Hz, 35mm lens. 230VAC. License 1ch TVTherm software.
SAF129TGD2.V.50/230	Gas Detection/Gas Quantification thermal camera, IP66/67, 640x480, 9Hz, 50mm lens. 230VAC. License 1ch TVTherm software.
SAF129TGD2.V.20FO/24	Gas Detection/Gas Quantification thermal camera, IP66/67, 640x480, 9Hz, 20mm lens, SM Gigabit fiber media converter. 24VAC. License 1ch TVTherm software.
SAF129TGD2.V.35FO/24	Gas Detection/Gas Quantification thermal camera, IP66/67, 640x480, 9Hz, 35mm lens, SM Gigabit fiber media converter. 24VAC. License 1ch TVTherm software.
SAF129TGD2.V.50FO/24	Gas Detection/Gas Quantification thermal camera, IP66/67, 640x480, 9Hz, 50mm lens, SM Gigabit fiber media converter. 24VAC. License 1ch TVTherm software.

SAF129TGD2.V.20FO/230

Gas Detection/Gas Quantification thermal camera, IP66/67, 640x480, 9Hz, 20mm lens, SM Gigabit fiber media converter. 230VAC. License 1ch TVTherm software.

SAF129TGD2.V.35FO/230

Gas Detection/Gas Quantification thermal camera, IP66/67, 640x480, 9Hz, 35mm lens, SM Gigabit fiber media converter. 230VAC. License 1ch TVTherm software.

SAF129TGD2.V.50FO/230

Gas Detection/Gas Quantification thermal camera, IP66/67, 640x480, 9Hz, 50mm lens, SM Gigabit fiber media converter. 230VAC. License 1ch TVTherm software.

25Hz versions available upon request (add "-H" suffix)

PRE-ASSEMBLED CONDUIT/CABLE TAILS

SAUCCT3-A

3 meters composite cable tail (power, CAT6A, data) with two M20 nickel-plated brass glands. For fixed camera.

SAUCCTF3-C

3 meters composite cable tail (power, data, fiber optic) with two M20 nickel-plated brass glands. Fiber termination: SC. For fixed camera

SAUCCT5-A

5 meters composite cable tail (power, CAT6A, data) with two M20 nickel-plated brass glands. For fixed camera.

SAUCCTF5-C

5 meters composite cable tail (power, data, fiber optic) with two M20 nickel-plated brass glands. Fiber termination: SC. For fixed camera

SAUCCT10-A

10 meters composite cable tail (power, CAT6A, data) with two M20 nickel-plated brass glands. For fixed camera.

SAUCCTF10-C

10 meters composite cable tail (power, data, fiber optic) with two M20 nickel-plated brass glands. Fiber termination: SC. For fixed camera

MOUNTING ACCESSORIES

SSBK-S

Wall mounting bracket

SSBKCLN-S

CEILING mounting bracket

SSPM-S

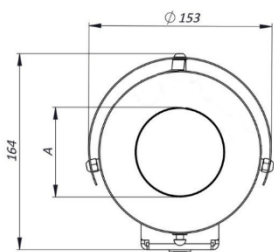
Pole mount adapter

SSPTM-S

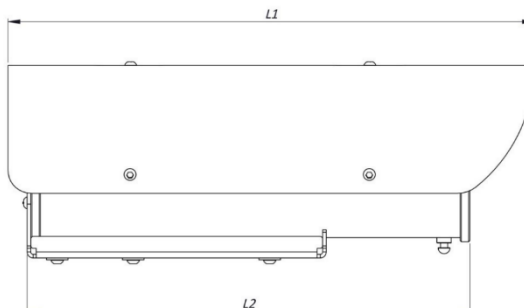
Pole TOP mount adapter

DIMENSIONS

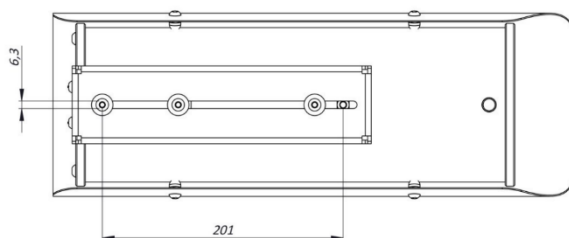
FRONT VIEW



SIDE VIEW



BOTTOM VIEW



MAX EXTERNAL LENGTH

Model	L1 [mm]	L2 [mm]
129TGD1.V.20	540	475