

TECNOVIDEO

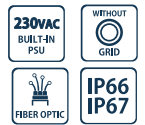
CCTV SYSTEMS AND ACCESSORIES

SAF129TFM1

FLARE MONITORING THERMAL CAMERA

TVTherm

- FLARE MONITORING CAMERA
- WEATHERPROOF STANDARD IP66/67
- AISI316L STAINLESS STEEL CONSTRUCTION
- 1CH LICENSE TVTHERM SOFTWARE



SAF129TFM1 is an innovative system that, combined with TVTherm software, provides continuous and automatic monitoring of industrial areas.

It's a hardware and software solution, based on infrared thermography and real-time computer image processing.

SAF129TFM1 is a high sensitivity uncooled thermal camera that delivers quality thermal images, and TVTherm is a very advanced software with innovative algorithms that provides intelligent solutions.

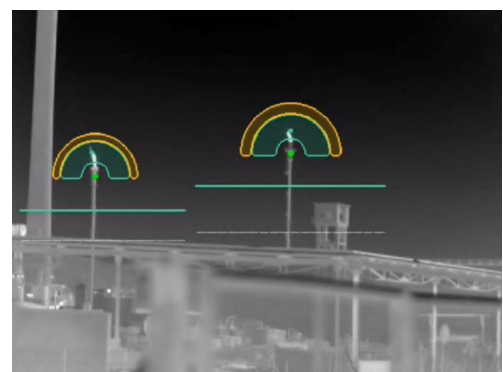
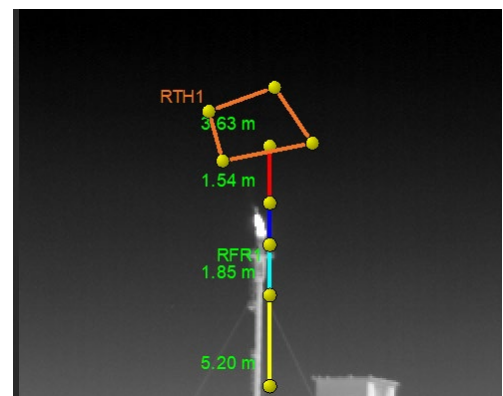
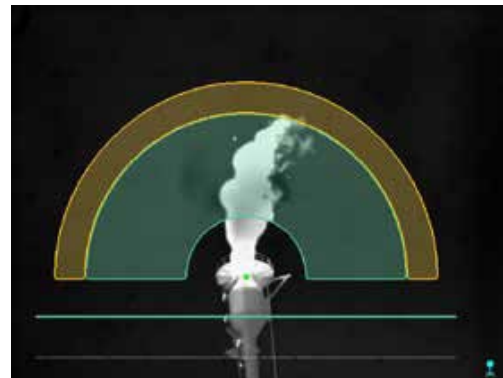
Main features:



Flare Monitoring: algorithm to monitor the flare for best performance of the process. Easy to configure and fine tune. Detects shut-off, oversized flare and burning rain. Detection areas can be adjusted upon the flare size, camera position and distance.

Main TVTherm functionalities:

- **24/7 Monitoring:** automatically alerts of any event
- **Logs:** all events are recorded together with event videos
- **Reporting:** event alarms are sent to the Control Center. Several Security and Industrial protocols are supported.



TECHNICAL SPECIFICATIONS

GENERAL & MECHANICAL

Dimensions	See drawings next page
Operating Temperature	-20° +55°C (-4°F +131°F)
Window	Germanium, Hard Carbon coated
Construction	AlSi316L Stainless Steel
Finish	Electro-polished
Mounting	See drawings next page
Cable entries	2x M20x1,5 cable entries
Weight	Unit: 11Kg / Package: 12Kg

ELECTRICAL

Thermostatically controlled heater	T[°C] ON = 12 ± 4°C, T[°C] OFF = 20 ± 3°C
Available voltages	24VAC, 230VAC (+/-10%)
Max power consumption	25W

VIDEO/CAMERA

Sensor	Uncooled FPA 384 x 288 array, 17µm pitch (640 x 480 available on demand)
Compression	Uncompressed video
Frame Rate	9/25Hz
Sensitivity	NETD < 50mK @ +30°C
Accuracy	± 2°C (from 500°C to 1500°C)
Lens	Tele 12°x9° (50mm) Medium 18°x13° (35mm) Wide 31°x23° (20mm)

NETWORK

Interface	Ethernet 1000 Base-TX/FX
------------------	--------------------------

CERTIFICATIONS

Ingress Protection	EN60529 (IP66/IP67)
EMC	EN50130-4; EN55035 ; EN/IEC61000-6-2; EN/IEC61000-6-4
LVD	EN 60950-1 ; EN 60950-2
RoHS	2011/65/EU + 2015/863/EU (RoHS 3)
WEEE	2012/19/EU

MODELS

SAF129TFM1.Q.20/24	Flare Monitoring thermal camera, IP66/67, 384x288, 9Hz, 20mm lens. 24VAC. License 1ch TVTherm software.
SAF129TFM1.Q.35/24	Flare Monitoring thermal camera, IP66/67, 384x288, 9Hz, 35mm lens. 24VAC. License 1ch TVTherm software.
SAF129TFM1.Q.50/24	Flare Monitoring thermal camera, IP66/67, 384x288, 9Hz, 50mm lens. 24VAC. License 1ch TVTherm software.
SAF129TFM1.Q.20/230	Flare Monitoring thermal camera, IP66/67, 384x288, 9Hz, 20mm lens. 230VAC. License 1ch TVTherm software.
SAF129TFM1.Q.35/230	Flare Monitoring thermal camera, IP66/67, 384x288, 9Hz, 35mm lens. 230VAC. License 1ch TVTherm software.
SAF129TFM1.Q.50/230	Flare Monitoring thermal camera, IP66/67, 384x288, 9Hz, 50mm lens. 230VAC. License 1ch TVTherm software.
SAF129TFM1.Q.20FO/24	Flare Monitoring thermal camera, IP66/67, 384x288, 9Hz, 20mm lens, SM Gigabit fiber media converter. 24VAC. License 1ch TVTherm software.
SAF129TFM1.Q.35FO/24	Flare Monitoring thermal camera, IP66/67, 384x288, 9Hz, 35mm lens, SM Gigabit fiber media converter. 24VAC. License 1ch TVTherm software.

SAF129TFM1.Q.50FO/24	Flare Monitoring thermal camera, IP66/67, 384x288, 9Hz, 50mm lens, SM Gigabit fiber media converter. 24VAC. License 1ch TVTherm software.
SAF129TFM1.Q.20FO/230	Flare Monitoring thermal camera, IP66/67, 384x288, 9Hz, 20mm lens, SM Gigabit fiber media converter. 230VAC. License 1ch TVTherm software.
SAF129TFM1.Q.35FO/230	Flare Monitoring thermal camera, IP66/67, 384x288, 9Hz, 35mm lens, SM Gigabit fiber media converter. 230VAC. License 1ch TVTherm software.
SAF129TFM1.Q.50FO/230	Flare Monitoring thermal camera, IP66/67, 384x288, 9Hz, 50mm lens, SM Gigabit fiber media converter. 230VAC. License 1ch TVTherm software.

- 25Hz versions available upon request (add "-H" suffix)
- 640 x 480 pixels available upon request (suffix "V" instead of "Q")

PRE-ASSEMBLED CONDUIT/CABLE TAILS

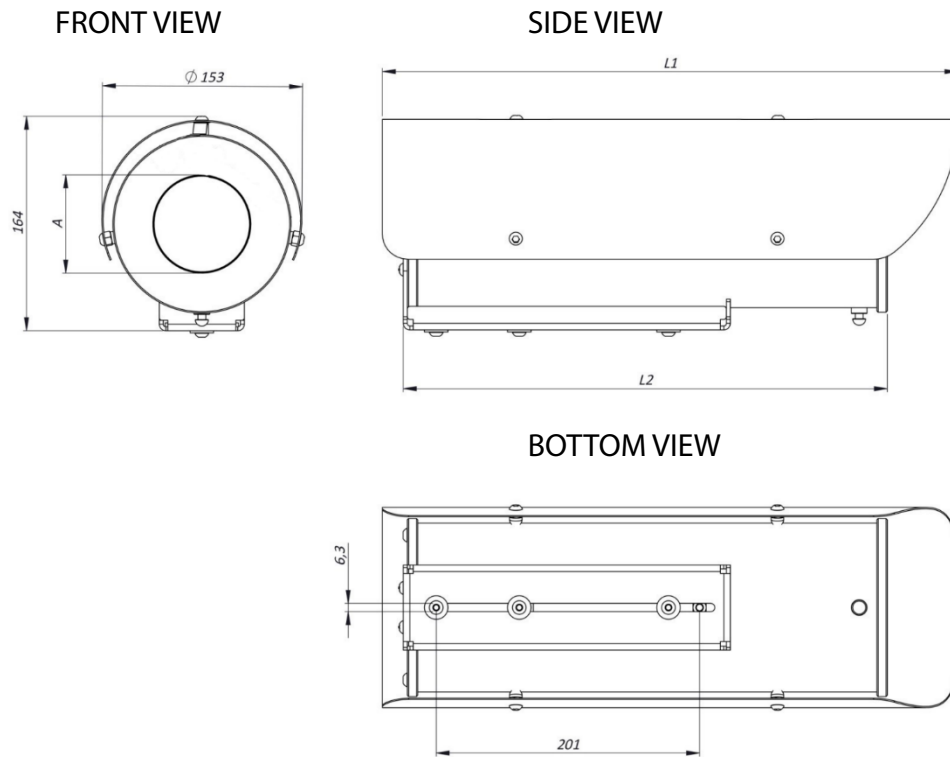
SAUCCT3-A	3 meters composite cable tail (power, CAT6A, data) with two M20 nickel-plated brass glands. For fixed camera.
SAUCCTF3-C	3 meters composite cable tail (power, data, fiber optic) with two M20 nickel-plated brass glands. Fiber termination: SC. For fixed camera
SAUCCT5-A	5 meters composite cable tail (power, CAT6A, data) with two M20 nickel-plated brass glands. For fixed camera.
SAUCCTF5-C	5 meters composite cable tail (power, data, fiber optic) with two M20 nickel-plated brass glands. Fiber termination: SC. For fixed camera
SAUCCT10-A	10 meters composite cable tail (power, CAT6A, data) with two M20 nickel-plated brass glands. For fixed camera.
SAUCCTF10-C	10 meters composite cable tail (power, data, fiber optic) with two M20 nickel-plated brass glands. Fiber termination: SC. For fixed camera

MOUNTING ACCESSORIES

SSBK-S	Wall mounting bracket
SSBKCLN-S	CEILING mounting bracket
SSPM-S	Pole mount adapter
SSPTM-S	Pole TOP mount adapter

FLARE MONITORING THERMAL CAMERA

DIMENSIONS



Model	MAX EXTERNAL LENGTH	
	L1 [mm]	L2 [mm]
SAF129TFM1.Q.20	540	475