

TECNOVIDEO

CCTV SYSTEMS AND ACCESSORIES

ACCESSORIES

MOUNTING BRACKETS AND ADAPTERS

AISI316L STAINLESS STEEL CONSTRUCTION
FOR USE IN HIGHLY CORROSIVE ENVIRONMENTS
EASY INSTALLATION
REFINED AND MODERN DESIGN



SSBK129 MOUNTING BRACKET

TECHNICAL SPECIFICATIONS

GENERAL & MECHANICAL

Dimensions See drawings
Construction AISI316L Stainless Steel
Mounting See drawings

Weight Model	Unit [kg]	Package [kg]
SSBK129/SSBKIRLED	2	3
SSBK129CLN	3	4
SSBK168/SSBK204/SSBK129LC/SSBK168LC	5	6
SSBK254	7	8
SSBK200/SSBK500	8	9
SSPM101/SSPM129	3	4
SSPTM129	1	1,5
SSCM129	2	3
SSPM168/SSPM204/SSPM254/SSPM129LC/SSPM168LC	5	6

CERTIFICATIONS

LVD EN 60950-1:2006 + A11:2009
RoHS 2011/65/EU
WEEE 2012/19/EU

MOUNTING ACCESSORIES

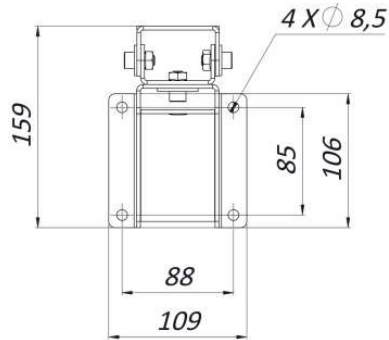
SSBK129	Wall mounting bracket with swivel joint for 129 Series
SSBK129CLN	Ceiling mounting bracket with swivel joint for 129 Series
SSBK168	Wall mounting bracket with swivel joint for 168 Series
SSBK204	Wall mounting bracket with swivel joint for 204 Series
SSBK254	Wall mounting bracket with swivel joint for 254 Series
SSBK129LC	Wall mounting bracket with swivel joint for 129LC Series
SSBK168LC	Wall mounting bracket with swivel joint for 168LC Series
SSBK250	Wall mounting bracket for VSPT250 Series
SSBK250HD	Wall mounting bracket for VSPT250HD Series
SSBK200	Wall mounting bracket for PTZ200 Series
SSBK500	Wall mounting bracket for PTZ250 Series
SSBKIRLED	Wall mounting bracket with swivel joint for IR LED Series

ADAPTERS

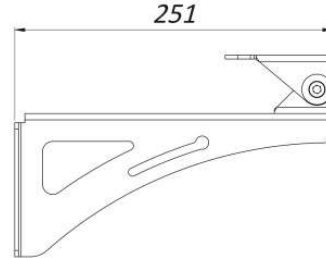
SSPM101	Pole mount adapter for 101W Series
SSPM129	Pole mount adapter for SSBK129 and SSBKIRLED
SSPTM129	Pole top mount adapter with swivel joint for 129 Series
SSCM129	Corner mount adapter for SSBK129
SSPM168	Pole mount adapter for SSBK168
SSPM204	Pole mount adapter for SSBK204
SSPM254	Pole mount adapter for 254 Series
SSPM129LC	Pole mount adapter for SSBK129LC
SSPM168LC	Pole mount adapter for SSBK168LC

DIMENSIONS

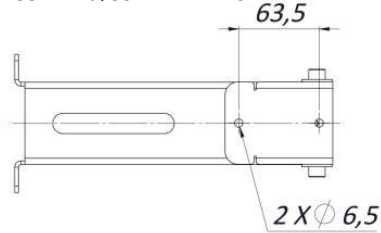
SSBK129/SSBKIRLED FRONT VIEW



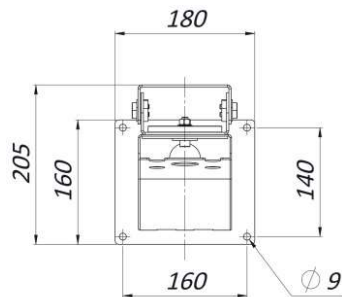
SSBK129/SSBKIRLED SIDE VIEW



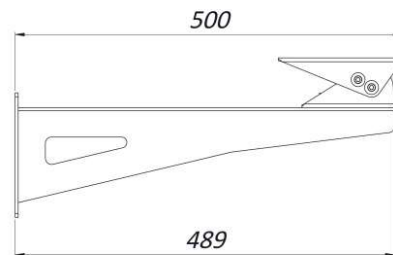
SSBK129/SSBKIRLED TOP



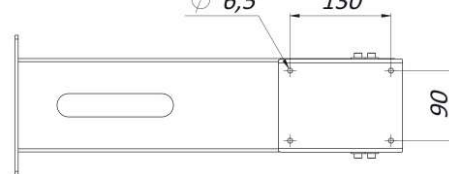
SSBK168 FRONT VIEW



SSBK168 SIDE VIEW

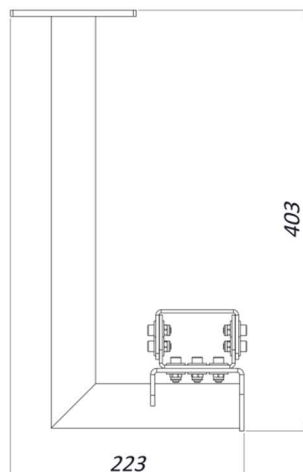


SSBK168 SIDE VIEW

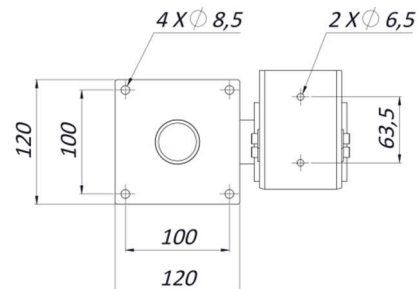


Same dimensions apply to SSBK204, SSBK129LC and SSBK168LC

SSBK129CLN FRONT VIEW

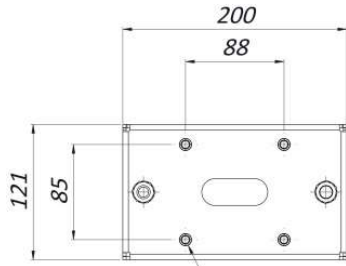


SSBK129CLN TOP VIEW



DIMENSIONS

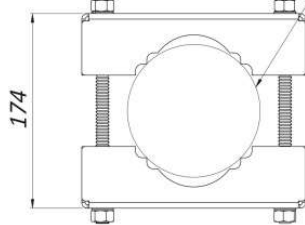
SSPM129 FRONT VIEW



M8 NUTS

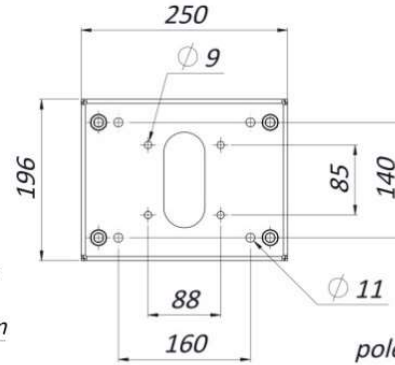
pole diameter:
min \varnothing 80 mm
max \varnothing 115 mm

SSPM129 TOP VIEW



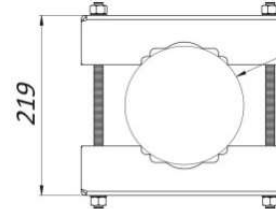
Same dimensions apply to SSPM101

SSPM168 TOP VIEW



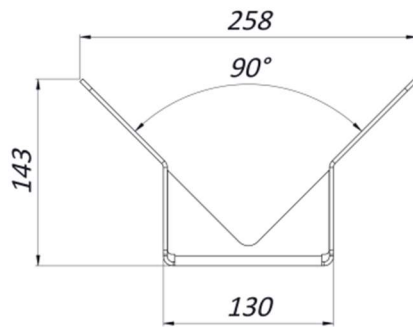
pole diameter:
min \varnothing 80 mm
max \varnothing 140 mm

SSPM168 TOP VIEW

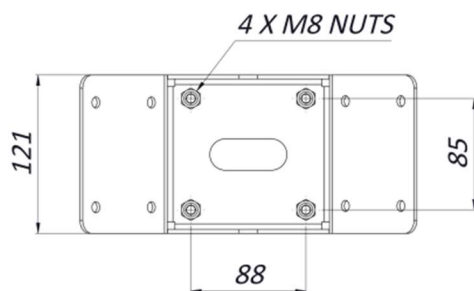


Same dimensions apply to SSPM204, SSPM254, SSPM129LC and SSPM168LC

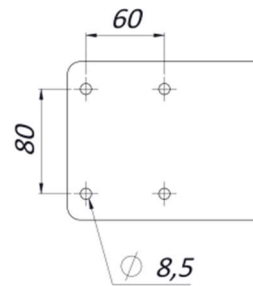
SSCM129 TOP VIEW



SSCM129 FRONT VIEW



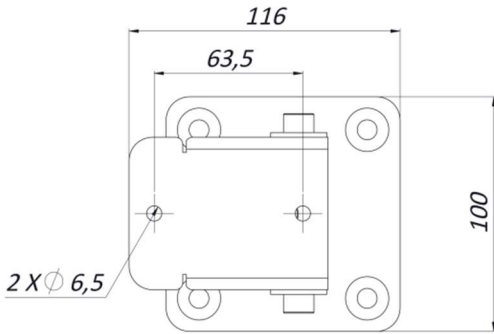
SSCM129 MOUNTING PATTERN



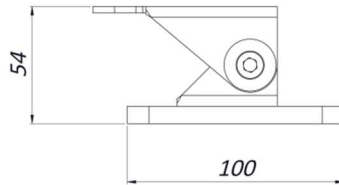
MOUNTING BRACKETS AND ADAPTERS

DIMENSIONS

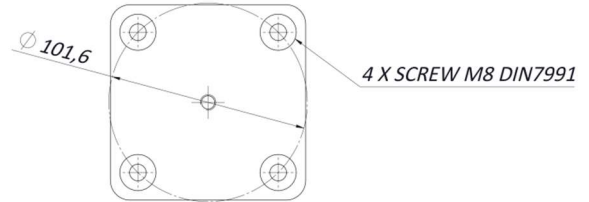
SSPTM129 TOP VIEW



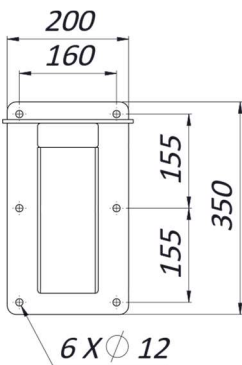
SSPTM129 SIDE VIEW



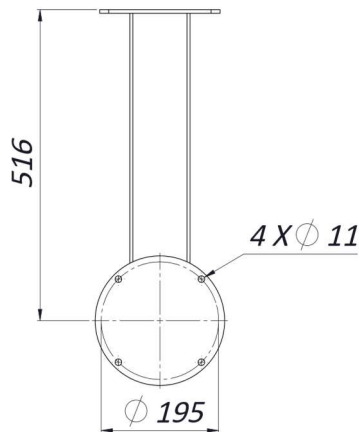
SSPTM129 MOUNTING PATTERN



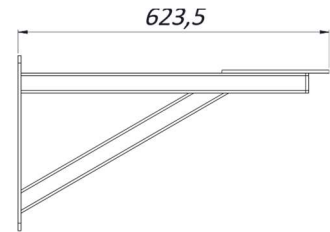
SSBK200-SSBK500 FRONT VIEW



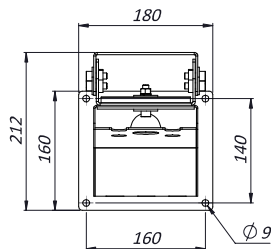
SSBK200-SSBK500 TOP VIEW



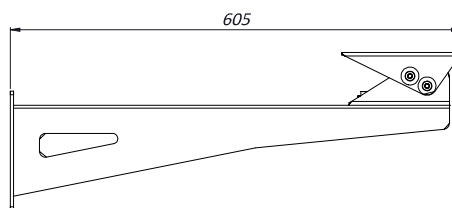
SSBK200-SSBK500 SIDE VIEW



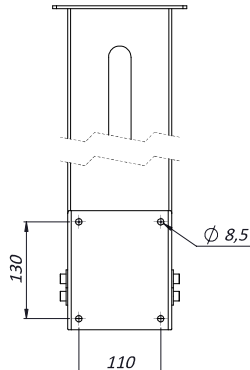
SSBK254 FRONT VIEW



SSBK254 TOP VIEW



SSBK254 SIDE VIEW



Dimensions in millimetres - Tolerances according QMS - Design and products specifications subject to change without notice - rev. 20200214