

TECNOVIDEO

CCTV SYSTEMS AND ACCESSORIES

IRLED SERIES

STAINLESS STEEL IR LED ILLUMINATOR

SAFE AREA

AISI316L STAINLESS STEEL CONSTRUCTION
LED TECHNOLOGY
3 BEAM PATTERNS: 15°, 19°, 34°
OPTIONAL SUNSHIELD AVAILABLE
WEATHERPROOF STANDARD IP66/IP67
REFINED AND MODERN DESIGN



IRLED STAINLESS STEEL INFRARED ILLUMINATOR

TECHNICAL SPECIFICATIONS

GENERAL & MECHANICAL

Dimensions	See drawings next page
Operating Temperature	-20° +60°C (-4° +140° F)
Construction	AISI316L Stainless Steel
Finish	Electro-polished
Mounting	See drawings next page
Cable entries	2 M20x1,5 nickel plated brass cable glands (included) Standard cable diameter 5-10mm
Weight	Unit: 6kg; Package: 7kg

ELECTRICAL

Available voltages	24VUC (24V~/V=), 115V~, 230V~ (+/-10%)
Power consumption	25W

LED ILLUMINATOR

LED	14x SMD LED
Wavelength	850nm
Beam patterns	15°, 19° or 34° beam pattern

CERTIFICATIONS

Ingress Protection(EN 60529)	IP66/IP67/IP68 for all models
RoHS	2011/65/EU
WEEE	2012/19/EU

MODELS

IRLED1415/24	Infrared LED illuminator. 15° beam pattern. Supply voltage: 24VUC
IRLED1419/24	Infrared LED illuminator. 19° beam pattern. Supply voltage: 24VUC
IRLED1434/24	Infrared LED illuminator. 34° beam pattern. Supply voltage: 24VUC
IRLED1415/115	Infrared LED illuminator. 15° beam pattern. Supply voltage: 115V~
IRLED1419/115	Infrared LED illuminator. 19° beam pattern. Supply voltage: 115V~
IRLED1434/115	Infrared LED illuminator. 34° beam pattern. Supply voltage: 115V~
IRLED1415/230	Infrared LED illuminator. 15° beam pattern. Supply voltage: 230V~
IRLED1419/230	Infrared LED illuminator. 19° beam pattern. Supply voltage: 230V~
IRLED1434/230	Infrared LED illuminator. 34° beam pattern. Supply voltage: 230V~

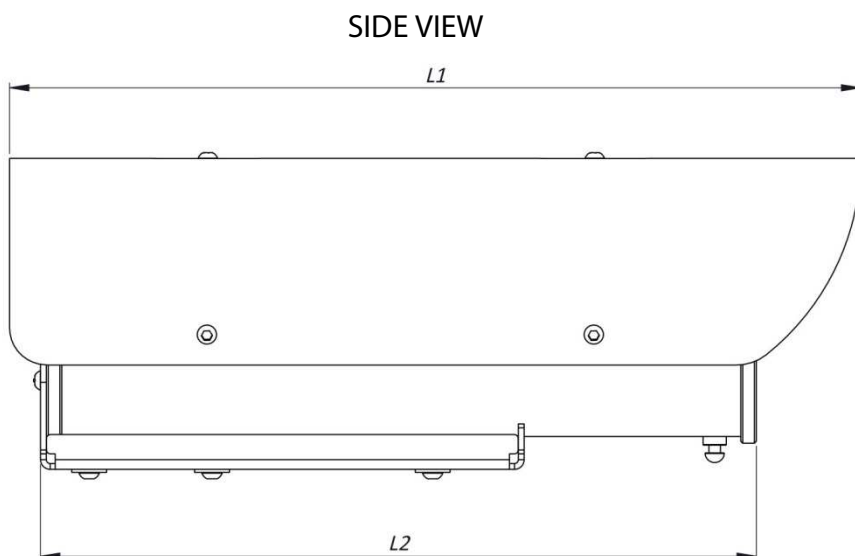
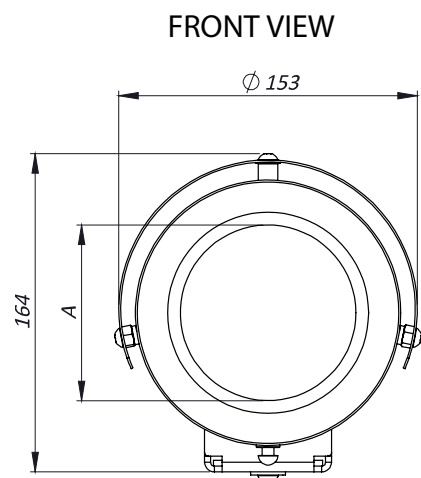
Optional sunshield available upon request.

MOUNTING ACCESSORIES

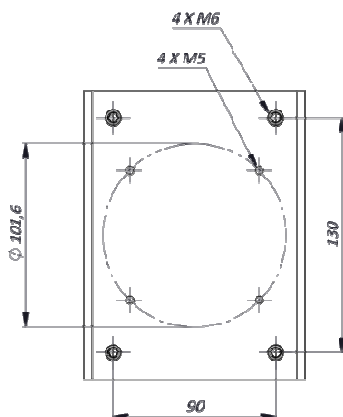
SSBKIRLED	Wall mounting bracket with swivel joint for IRLED series
SSPMIRLED	Pole mount adapter for SSBKIRLED bracket
SSPTMIRLED	Pole TOP mount adapter for IRLED series

STAINLESS STEEL IR LED ILLUMINATOR

DIMENSIONS



MOUNTING PATTERN



MAX EXTERNAL LENGTH

Model	L1 [mm]	L2 [mm]
IRLED	440	375