

TECNOVIDEO

CCTV SYSTEMS AND ACCESSORIES

EXUSPTZTV4-LED SERIES

FLAMEPROOF ULTRA HD PTZ CAMERA STATION WITH IR ILLUMINATOR

- HAZARDOUS LOCATIONS CERTIFIED PTZ CAMERA
- ULTRA HD 4K CAMERA, 30FPS, 22x AUTOFOCUS OPTICAL ZOOM
- INTEGRATED IR LED ILLUMINATOR
- AISI316L STAINLESS STEEL CONSTRUCTION
- CERTIFICATION TEMPERATURE -40°C +60°C
- OPTIONAL BUILT-IN FIBER MEDIA CONVERTER
- OPTIONAL BUILT-IN 120VAC POWER SUPPLY
- INTEGRATED WIPER

TECHNICAL SPECIFICATIONS

GENERAL & MECHANICAL

Dimensions	See drawings next page
Operating Temperature	-40°F +140°F (-40° +60°C)
Construction	AISI316L Stainless Steel
Finish	Electro-polished
Mounting	4x Ø11 on 195 PCD
Cable entries	1x M25x1,5 or 3/4in (adapter)
Wiper	Yes
Pan Angle	360° continuous rotation
Pan Speed	0 - 40°/second
Pan Torque	20Nm (limited with safety device)
Tilt Angle	180° (+/-90°)
Tilt Speed	0 - 20°/second
Tilt Torque	20Nm (limited with safety device)
Rotation angle	Electronically adjustable limit switches
Backlash	<0,1°
Max preset accuracy	0,04°
Control protocol	Pelco D (via RS485)
Weight	Unit: 47,5kg (105lb) / Gross weight: 53kg (117lb)

ELECTRICAL

Thermostatically controlled heater	
T[°C] ON	= 53 ±39°F (12 ± 4°C) T[°C] OFF = 68°F ± 37°F (20 ± 3°C)
T[°C] ON	= 54 ±7°F (12 ± 4°C) T[°C] OFF = 68°F ± 5°F (20 ± 3°C)
Supply voltage	24VAC, 120VAC (+/-10%)
Power consumption	10W min (stationary, IR illuminator/wiper/heater off) 120W MAX

LED ILLUMINATOR

LED	14x SMD LED
Wavelength	850nm
Available beam patterns	15° or 34° beams

VIDEO/CAMERA

Sensor	1/1.8" Progressive CMOS
Resolution	4K resolution (3864x2180)
Compression	H.265/H.264/MJPEG
Streaming	Up to 4 configurable streams
Frame Rate	H.265 HDR 4K @30fps + d1 @30fps, H.264 HDR 4K @30fps + d1 @30fps, MJPEG 1080p @30fps
Sensitivity	Color: 0.04 lux, B/W: 0.002 lux
Shutter Speed	1~1/10000 sec.
Dynamic range	WDR/HDR
Lens	22x Optical Zoom Auto Focus, 10x Digital, focal Length 6.4-138.5 mm
Image settings	Color, Brightness, Sharpness, Contrast, White Balance, Exposure Control, 2DNR, 3DNR, NR by Motion, Masking, Text Overlay
Event Triggers	External Input, Analytics, Network Failure Detection, Periodical Event, Manual Trigger
Event Actions	External Output Activation, Video recording to edge storage, File Upload: FTP, network share and email, Notification: HTTP, FTP, email
Local Storage	microSD (card not provided)
Network Storage	support for recording to NAS



ONVIF | GMS

NETWORK

Interface	10/100/1000 Mbps Ethernet
Security	User Authentication/ HTTPS/ IP Filter/ IEEE 802.1x
ONVIF	ONVIF profile G/S/M/T compliant
Protocols	ARP, PPPoE, IPv4/v6, ICMP, IGMP, QoS, TCP, UDP, DHCP, UPnP, SNMP, SMTP, RTP, RTSP, HTTP, HTTPS, FTP, NTP

CERTIFICATIONS

Ingress Protection Rating	EN 60529 (IP66/IP67); NEMA 4X Class I, Zone 1, AEx db op is op pr IIC T5 Gb -40°C ≤ Tamb ≤ +40°C Zone 21, AEx op is tb IIIC T100°C Db -40°C ≤ Tamb ≤ +40°C Class I, Zone 1, AEx db op is op pr IIB T4 Gb -40°C ≤ Tamb ≤ +60°C Zone 21, AEx op is tb IIIC T135°C Db -40°C ≤ Tamb ≤ +60°C Class I, Div 2, Group A, B, C, D T6 -40°C ≤ Tamb ≤ +60°C * Class I, Div 2, Group C, D T5 -40°C ≤ Tamb ≤ +75°C *
----------------------------------	---

* Suitable for Class I Div 2 using Zone 1 wiring methods as permitted per NEC Art. 501

IECEX Standards	IEC 60079-0; IEC 60079-1; IEC 60079-28; IEC 60079-31
EMC	EN 50130-4; EN 55035 ; EN/IEC 61000-6-2 ; EN/IEC 61000-6-4
LVD	EN 60950-1; EN 60950-22
FCC	FCC part 15B
RoHS	2011/65/EU + 2015/863/EU (RoHS 3)
WEEE	2012/19/EU
North American Standards	FM Class 3600; FM Class 3810; ANSI/UL 61010-1; ANSI/UL 60079-0; ANSI/UL 60079-1; ANSI/UL 60079-28; ANSI/ISA 60079-31; ANSI/UL 50E; ANSI/IEC 60529 CSA C22.2 No. 0.4; CSA C22.2 No. 0.5; CAN/CSA C22.2 No. 61010-1; CAN/CSA-C22.2 No. 60079-0; CAN/CSA-C22.2 No. 60079-1; CAN/CSA-C22.2 No. 60079-28; CAN/CSA-C22.2 No. 60079-31; CSA C22.2 No. 94.2; CAN/CSA C22.2 No. 60529

MODELS

EXUSPTZTV4-CRLED15/24	Flameproof PTZ IP camera station, IR LED illuminator with 15° beam pattern, 24VAC
EXUSPTZTV4-CRLED15/120	Flameproof PTZ IP camera station, IR LED illuminator with 15° beam pattern, 120VAC
EXUSPTZTV4-CRLED34/24	Flameproof PTZ IP camera station, IR LED illuminator with 34° beam pattern, 24VAC
EXUSPTZTV4-CRLED34/120	Flameproof PTZ IP camera station, IR LED illuminator with 34° beam pattern, 120VAC
EXUSPTZTV4FO-CRLED15/24	Flameproof PTZ IP camera station, IR LED illuminator with 15° beam pattern, SM FO media converter, 24VAC
EXUSPTZTV4FO-CRLED15/120	Flameproof PTZ IP camera station, IR LED illuminator with 15° beam pattern, SM FO media converter, 120VAC
EXUSPTZTV4FO-CRLED34/24	Flameproof PTZ IP camera station, IR LED illuminator with 34° beam pattern, SM FO media converter, 24VAC
EXUSPTZTV4FO-CRLED34/120	Flameproof PTZ IP camera station, IR LED illuminator with 34° beam pattern, SM FO media converter, 120VAC

ACCESSORIES

SSBK-L	Wall mounting bracket
---------------	-----------------------

www.tecnovideoctv.com

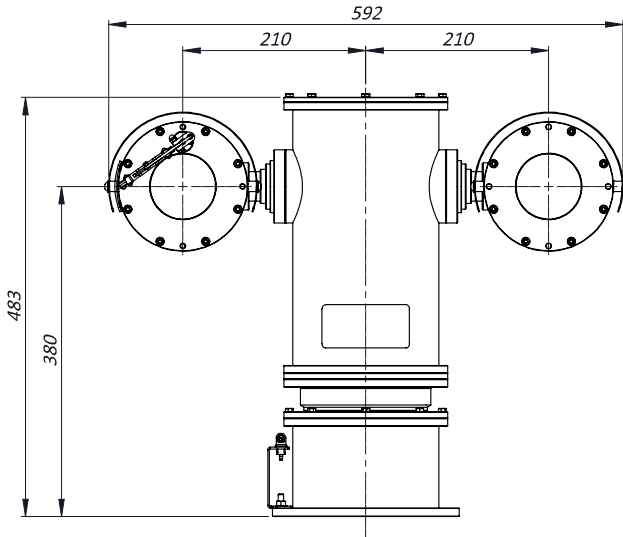
Tecnovideo S.r.l. - Via A. De Gasperi, 3 36030 Villaverla (VI) ITALY - Tel. +39.0445.350444 - info@tecnovideoctv.com

FLAMEPROOF ULTRA HD PTZ CAMERA STATION WITH IR LED

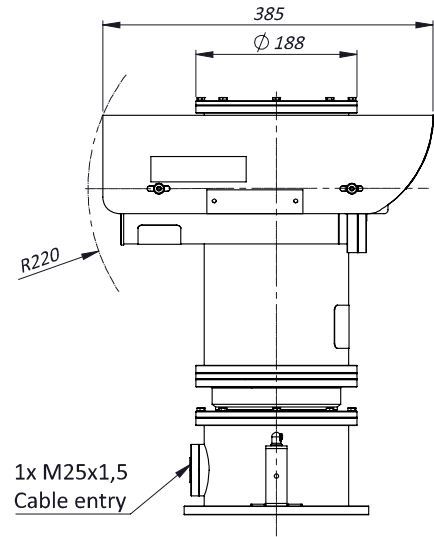
DIMENSIONS

The dimensions in the technical drawings are in millimetres.

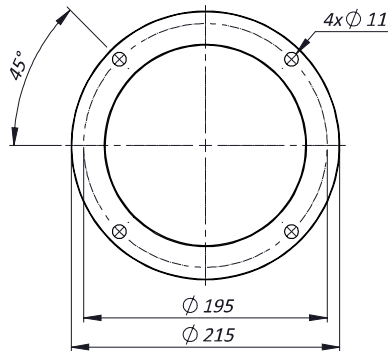
EXPTZTV2-LED FRONT VIEW



EXPTZTV2-LED SIDE VIEW



MOUNTING PATTERN



The unit cannot be installed upside-down nor horizontally