

TECNOVIDEO

CCTV SYSTEMS AND ACCESSORIES

EXUSPTZTH02 SERIES

FLAMEPROOF STAINLESS STEEL PTZ CAMERA STATION

HAZARDOUS AREA

- HAZARDOUS LOCATIONS CERTIFIED PTZ CAMERA
- POWERED BY **WISENET XNZ-L6320**, DAY/NIGHT FULL HD, 32X OPTICAL ZOOM
- AISI316L STAINLESS STEEL CONSTRUCTION
- CERTIFICATION TEMPERATURE -40°C +75°C
- OPTIONAL BUILT-IN FIBER MEDIA CONVERTER
- OPTIONAL BUILT-IN 120VAC POWER SUPPLY
- INTEGRATED WIPER



Hanwha Technwin WISENET



TECHNICAL SPECIFICATIONS

GENERAL & MECHANICAL

Dimensions	See drawings next page
Operating Temperature	-4° +140° F (-20° +60°C)
Construction	AISI316L Stainless Steel
Finish	Electro-polished
Mounting	4x Ø11 on 195 PCD
Cable entries	1x M25x1,5 or 3/4in (adapter)
Wiper	Yes
Pan Angle	360° (continuous rotation)
Pan Speed	0 – 40°/second
Pan Torque	20Nm (limited with safety device)
Tilt Angle	180° (+/-90°)
Tilt Speed	0 – 20°/second
Tilt Torque	20Nm (limited with safety device)
Rotation angle	Electronically adjustable
Backlash	<0,1°
Max preset accuracy	0.04°
Control protocol	Pelco D (RS485)
Weight	Unit: 35kg (77lb) / Package: 40kg (88lb)

ELECTRICAL

Thermostatically controlled heater	
T[°C] ON	= 53 ±39°F (12 ±4°C)
T[°C] OFF	= 68°F ± 37°F (20 ± 3°C)
Supply voltage	24VAC, 120VAC (+/-10%)
Power consumption	10W min (stationary and heater/wiper off), 95W MAX

VIDEO/CAMERA

Sensor	1/2.8" 2MP CMOS
Compression	H.265/H.264: Main/Baseline/High, MJPEG
Streaming	Unicast(20 users) / Multicast Multiple streaming(Up to 10 profiles)
Resolution	1920x1080
Frame Rate	H.265/H.264 : Max. 60fps/50fps(60Hz/50Hz)
Iris	DC auto iris
Sensitivity	Color: 0.05 lux(F1.6, 1/30sec) B/W: 0.005 lux(F1.6, 1/30sec)
Shutter Speed	Minimum / Maximum / Anti flicker (2~1/12,000sec)
White Balance	ATW / AWC / Manual / Indoor / Outdoor
Wide Dynamic range	WDR
Noise Reduction	SSNR V
Event Triggers	Analytics, Network disconnect, Alarm input
Analytics	Defocus detection, Directional detection, Fog detection, Face detection, Motion detection, Digital auto tracking, Appear/Disappear, Enter/Exit, Loitering, Tampering, Virtual line
Lens	4.4~142.6mm(32x) motorized, F1.6(Wide) ~ F4.4(Tele)
Local Storage	Micro SD/SDHC/SDXC 1slot 256GB
Network Storage	NAS
Selectable Functions	Analytics, Tamper Detection, Objects in Area, Object Loitering, Objects Crossing Beam, Object Appears or Enters Area, Direction Violated

NETWORK

Interface	RJ-45(10/100BASE-T)
Security	"HTTPS(SSL) Login Authentication, Digest Login Authentication, IP Address Filtering, User access Log, 802.1X Authentication (EAP-TLS, EAP-LEAP)"
Onvif	ONVIF Profile S/G/T
Protocols	IPv4, IPv6, TCP/IP, UDP/IP, RTP(UDP), RTP(TCP), RTCP,RTSP, NTP, HTTP, HTTPS, SSL/TLS, DHCP, FTP, SMTP, ICMP, IGMP, SNMPv1/v2c/v3(MIB-2), ARP, DNS, DDNS, QoS, PIM-SM, UPnP, Bonjour, LLDP, SRTSP

CERTIFICATIONS

Ingress Protection Ratin	EN 60529 (IP66/IP67); NEMA 4X Class I, Zone 1, AEx db op pr IIC T6 Gb -40°C ≤ Tamb ≤ +60°C Zone 21, AEx tb IIIC T85°C Db -40°C ≤ Tamb ≤ +55°C Zone 21, AEx tb IIIC T90°C Db -40°C ≤ Tamb ≤ +60°C Class I, Zone 1, AEx db op pr IIB T5 Gb -40°C ≤ Tamb ≤ +75°C Zone 21, AEx tb IIIC T100°C Db -40°C ≤ Tamb ≤ +70°C Zone 21, AEx tb IIIC T105°C Db -40°C ≤ Tamb ≤ +75°C Class I, Div 2, Group A, B, C, D T6 -40°C ≤ Tamb ≤ +60°C * Class I, Div 2, Group C, D T5 -40°C ≤ Tamb ≤ +75°C *
---------------------------------	---

* Suitable for Class I Div 2 using Zone 1 wiring methods as permitted per NEC Art. 501

Vibrations	EN/IEC 60068-2-6; EN/IEC 60068-2-27
IECEX Standards	IEC 60079-0; IEC 60079-1; IEC 60079-28; IEC 60079-31
EMC	EN 50130-4; EN 55035 ; EN/IEC 61000-6-2 ; EN/IEC 61000-6-4
LVD	EN 60950-1; EN 60950-22
FCC	FCC part 15B
RoHS	2011/65/EU + 2015/863/EU (RoHS 3)
WEEE	2012/19/EU
North American Standards	"FM Class 3600; FM Class 3810; ANSI/UL 61010-1; ANSI/UL 60079-0; ANSI/UL 60079-1; ANSI/UL 60079-28; ANSI/ISA 60079-31; ANSI/UL 50E; ANSI/IEC 60529 CSA C22.2 No. 0.4; CSA C22.2 No. 0.5; CAN/CSA C22.2 No. 61010-1; CAN/CSA-C22.2 No. 60079-0; CAN/CSA-C22.2 No. 60079-1; CAN/CSA-C22.2 No. 60079-28; CAN/CSA-C22.2 No. 60079-31; CSA C22.2 No. 94.2; CAN/CSA C22.2 No. 60529"

MODELS

EXUSPTZTH02-CR/24	Flameproof PTZ IP camera station, 24VAC
EXUSPTZTH02-CR/120	Flameproof PTZ IP camera station, 120VAC
EXUSPTZTH02FO-CR/24	Flameproof PTZ IP camera station. SM FO Media converter, 24VAC
EXUSPTZTH02FO-CR/120	Flameproof PTZ IP camera station. SM FO Media converter, 120VAC

ACCESSORIES

SSBK-L	Wall mounting bracket
---------------	-----------------------

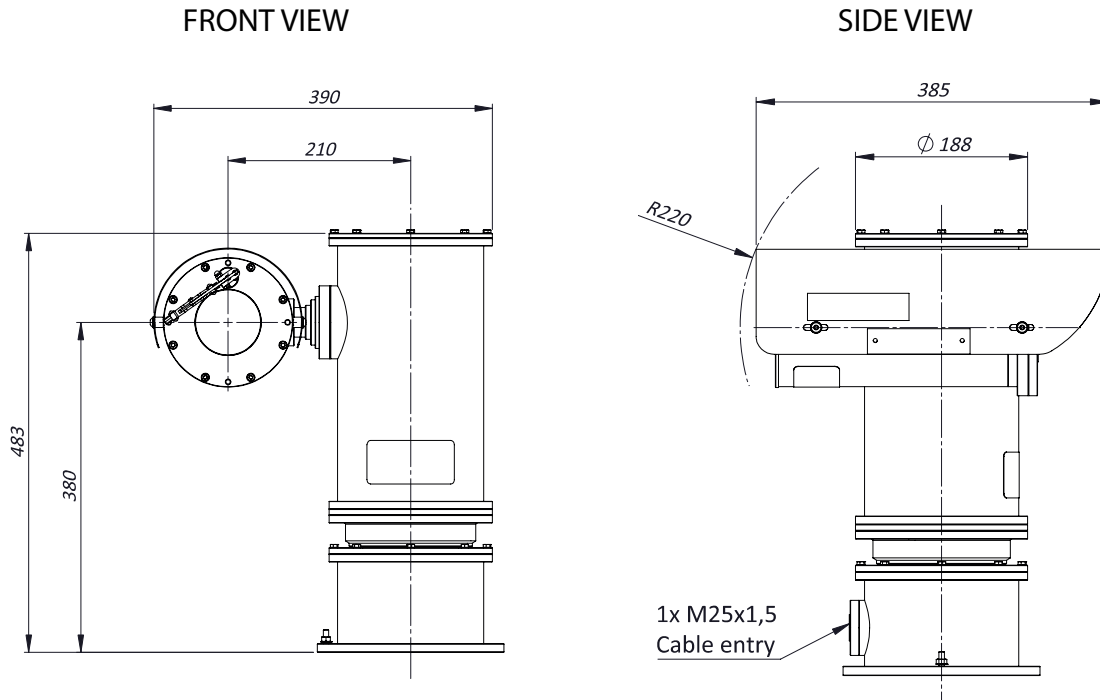
www.tecnovideoocctv.com

Tecnovideo S.r.l. - Via A. De Gasperi, 3 36030 Villaverla (VI) ITALY - Tel. +39.0445.350444 - info@tecnovideoocctv.com

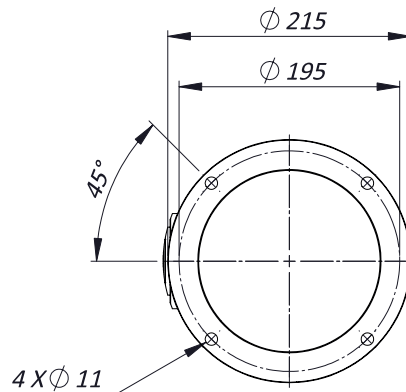
FLAMEPROOF STAINLESS STEEL PTZ CAMERA STATION

DIMENSIONS

The dimensions in the technical drawings are in millimetres.



MOUNTING PATTERN



MAX EXTERNAL LENGTH

Model	L1 [mm] Height	L2 [mm] Width
EXUSPTZTH02-CR/24	483 (19in)	390 (15in)

The unit cannot be installed upside-down nor horizontally

*This is only an example of integration of Wisenet camera in Tecnovideo products.
Hanwha Trademark and company logos, marks, product names and emblems are registered trademarks and belong to Hanwha Corporation.*