

# TECNOVIDEO

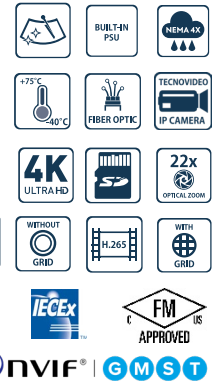
CCTV SYSTEMS AND ACCESSORIES

## EXUSPTZDUALTV4 SERIES

FLAMEPROOF ULTRA HD DUAL PTZ CAMERA STATION

HAZARDOUS AREA

- HAZARDOUS LOCATIONS CERTIFIED DUAL PTZ CAMERA
- ULTRA HD 4K CAMERA, 30FPS, 22x AUTOFOCUS OPTICAL ZOOM
- AISI316L STAINLESS STEEL CONSTRUCTION
- CERTIFICATION TEMPERATURE -40°C +75°C
- OPTIONAL BUILT-IN FIBER MEDIA CONVERTER
- OPTIONAL BUILT-IN 115VAC or 230VAC POWER SUPPLY
- SUPPORTS 802.1X and SNMP (V1-3)



### TECHNICAL SPECIFICATIONS

#### GENERAL & MECHANICAL

<b>Dimensions</b>	See drawings next page
<b>Operating Temperature</b>	-40°F +140°F, +167°F peak (-40° +60°C, +75°C peak)
<b>Construction</b>	AISI316L Stainless Steel
<b>Finish</b>	Electro-polished
<b>Mounting</b>	4x Ø11 on 195 PCD
<b>Cable entries</b>	1x M25x1,5 or 3/4in (adapter)
<b>Wiper</b>	Yes (visible)
<b>Pan Angle</b>	360° (continuous rotation)
<b>Pan Speed</b>	0 – 40°/second
<b>Pan Torque</b>	20Nm (limited with safety device)
<b>Tilt Angle</b>	180° (+/-90°)
<b>Tilt Speed</b>	0 – 20°/second
<b>Tilt Torque</b>	20Nm (limited with safety device)
<b>Rotation angle</b>	Electronically adjustable limit switches
<b>Backlash</b>	<0,1°
<b>Max preset accuracy</b>	0,04°
<b>Control protocol</b>	Pelco D (via RS485)
<b>Weight</b>	Unit: 48,5kg (106lb) / Package: 54kg (119lb)

#### ELECTRICAL

<b>Thermostatically controlled heater</b>	
<b>T[°C] ON</b>	= 53 ±39°F (12 ± 4°C)
<b>T[°C] OFF</b>	= 68°F ± 37°F (20 ± 3°C)
<b>T[°C] ON</b>	= 54 ±7°F (12 ± 4°C)
<b>T[°C] OFF</b>	= 68°F ± 5°F (20 ± 3°C)
<b>Supply voltage</b>	24VAC, 120VAC (+/-10%)
<b>Power consumption</b>	9W min (stationary and heater/wiper off), 120W MAX

#### VIDEO/CAMERA

<b>Sensor</b>	1/1.8" Progressive CMOS
<b>Resolution</b>	4K resolution (3864x2180)
<b>Compression</b>	H.265/H.264/MJPEG
<b>Streaming</b>	Up to 4 configurable streams
<b>Frame Rate</b>	H.265 HDR 4K @30fps + d1 @30fps, H.264 HDR 4K @30fps + d1 @30fps, MJPEG 1080p @30fps
<b>Sensitivity</b>	Color: 0.04 lux, B/W: 0.002 lux
<b>Shutter Speed</b>	1~1/10000 sec.
<b>Dynamic range</b>	WDR/HDR
<b>Lens</b>	22x Optical Zoom Auto Focus, 10x Digital, focal Length 6.4-138.5 mm
<b>Image settings</b>	Color, Brightness, Sharpness, Contrast, White Balance, Exposure Control, 2DNR, 3DNR, NR by Motion, Masking, Text Overlay
<b>Event Triggers</b>	External Input, Analytics, Network Failure Detection, Periodical Event, Manual Trigger
<b>Event Actions</b>	External Output Activation, Video recording to edge storage, File Upload: FTP, network share and email, Notification: HTTP, FTP, email
<b>Local Storage</b>	microSD (card not provided)
<b>Network Storage</b>	support for recording to NAS

#### VIDEO/CAMERA (THERMAL)

Various combinations of QVGA/VGA thermal cameras and lenses are available, 9Hz or 25Hz.

#### NETWORK

<b>Interface</b>	10/100/1000 Mbps Ethernet
<b>Security</b>	User Authentication/ HTTPS/ IP Filter/ IEEE 802.1x
<b>ONVIF</b>	ONVIF profile G/S/M/T compliant
<b>Protocols</b>	ARP, PPPoE, IPv4/v6, ICMP, IGMP, QoS, TCP, UDP, DHCP, UPnP, SNMP, SMTP, RTP, RTSP, HTTP, HTTPS, FTP, NTP

#### CERTIFICATIONS

<b>Ingress Protection Rating</b>	EN 60529 (IP66/IP67); NEMA 4X "Class I, Zone 1, AEx db op pr IIC T6 Gb -40°C ≤ Tamb ≤ +60°C Zone 21, AEx tb IIIC T85°C Db -40°C ≤ Tamb ≤ +55°C Zone 21, AEx tb IIIC T90°C Db -40°C ≤ Tamb ≤ +60°C Class I, Zone 1, AEx db op pr IIB T5 Gb -40°C ≤ Tamb ≤ +75°C Zone 21, AEx tb IIIC T100°C Db -40°C ≤ Tamb ≤ +70°C Zone 21, AEx tb IIIC T105°C Db -40°C ≤ Tamb ≤ +75°C Class I, Div 2, Group A, B, C, D T6 -40°C ≤ Tamb ≤ +60°C * Class I, Div 2, Group C, D T5 -40°C ≤ Tamb ≤ +75°C *
----------------------------------	--

\* Suitable for Class I Div 2 using Zone 1 wiring methods as permitted per NEC Art. 501"

<b>Vibration</b>	EN/IEC 60068-2-6; EN/IEC 60068-2-27
<b>IECEX Standards</b>	IEC 60079-0; IEC 60079-1; IEC 60079-28; IEC 60079-31
<b>EMC</b>	EN 50130-4; EN 55035 ; EN/IEC 61000-6-2 ; EN/IEC 61000-6-4
<b>LVD</b>	EN 60950-1; EN 60950-22
<b>FCC</b>	FCC part 15B
<b>RoHS</b>	2011/65/EU + 2015/863/EU (RoHS 3)
<b>WEEE</b>	2012/19/EU
<b>North American Standards</b>	"FM Class 3600; FM Class 3810; ANSI/UL 61010-1; ANSI/UL 60079-0; ANSI/UL 60079-1; ANSI/UL 60079-28; ANSI/ISA 60079-31; ANSI/UL 50E; ANSI/IEC 60529 CSA C22.2 No. 0.4; CSA C22.2 No. 0.5; CAN/CSA C22.2 No. 61010-1; CAN/CSA-C22.2 No. 60079-0; CAN/CSA-C22.2 No. 60079-1; CAN/CSA-C22.2 No. 60079-28; CAN/CSA-C22.2 No. 60079-31; CSA C22.2 No. 94.2; CAN/CSA C22.2 No. 60529"

#### MODELS

<b>EXUSPTZDUALTV4-CR/24</b>	DUAL Flameproof PTZ IP camera station, housing for thermal camera, 24VAC
<b>EXUSPTZDUALTV4-CR/120</b>	DUAL Flameproof PTZ IP camera station, housing for thermal camera, 120VAC
<b>EXUSPTZDUALTV4FO-CR/24</b>	DUAL Flameproof PTZ IP camera station, housing for thermal camera. SM FO Media converter, 24VAC
<b>EXUSPTZDUALTV4FO-CR/120</b>	DUAL Flameproof PTZ IP camera station, housing for thermal camera. SM FO Media converter, 120VAC

Available upon request:  
- built-in Single Mode fiber optic Media Converter  
- Germanium gridless thermal housing (Patented)

#### ACCESSORIES

<b>SSBK-L</b>	Wall mounting bracket
---------------	-----------------------

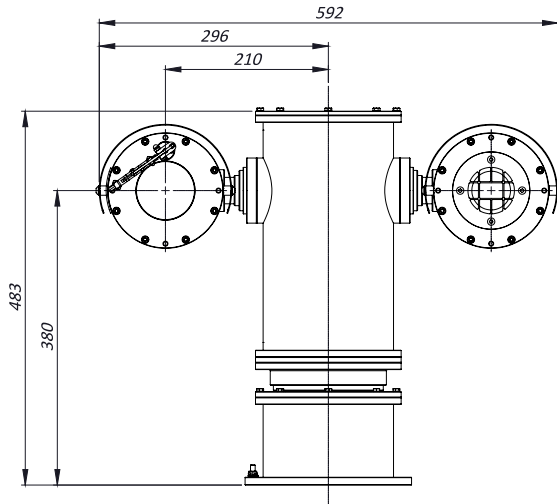
[www.tecnovideoocctv.com](http://www.tecnovideoocctv.com)

Tecnovideo S.r.l. - Via A. De Gasperi, 3 36030 Villaverla (VI) ITALY - Tel. +39.0445.350444 - [info@tecnovideoocctv.com](mailto:info@tecnovideoocctv.com)

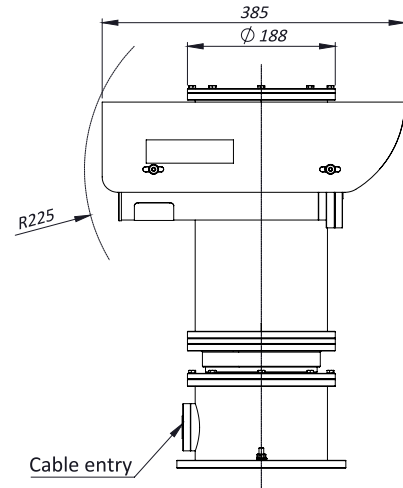
## DIMENSIONS

The dimensions in the technical drawings are in millimetres.

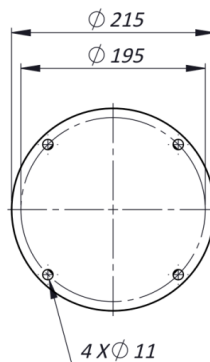
FRONT VIEW



SIDE VIEW



MOUNTING PATTERN



### MAX EXTERNAL LENGTH

Model	L1 [mm] Height	L2 [mm] Width
EXUSPTZDUALTV4-CR	483 (19in)	592 (23in)

### MAX INTERNAL AVAILABLE DIMENSIONS

Model	Max internal dimensions [mm]	Max usable internal diameter [mm]
EXUSPTZDUALTV4-CR (thermal housing)	80x80x160 (3.15x3.15x6.30in)	95 (3.75in)

The unit cannot be installed upside-down nor horizontally