

TECNOVIDEO

CCTV SYSTEMS AND ACCESSORIES

EXUSF129TV4 SERIES

FLAMEPROOF FIXED CAMERA STATION

HAZARDOUS AREA

- HAZARDOUS LOCATIONS CERTIFIED CAMERA
- 4K (8MP), 22x AUTOFOCUS OPTICAL ZOOM
- AISI316L STAINLESS STEEL CONSTRUCTION
- CERTIFICATION TEMPERATURE -40°C +75°C
- OPTIONAL BUILT-IN FIBER MEDIA CONVERTER
- OPTIONAL BUILT-IN 120VAC POWER SUPPLY
- OPTIONAL WIPER
- EDGE RECORDING
- 802.1X AND SNMP (V1-3) CYBER SECURITY PROTOCOLS
- NDAA COMPLIANT



TECHNICAL SPECIFICATIONS

GENERAL & MECHANICAL

Dimensions	See drawings next page
Operating Temperature	-40°F +140°F, +167°F peak (-40° +60°C, +75°C peak)
Construction	AISI316L Stainless Steel
Finish	Electro-polished
Mounting	4x M5 on 101,6 PCD 4x M6 on 90x130
Cable entries	2x M25 x1,5 or 3/4in (adapter)
Wiper	Optional
Weight	Unit: 15kg (33lb)/ Package: 16,5kg (36.4lb) (version with wiper)

ELECTRICAL

Thermostatically controlled heater		
T[°C] ON	= 53 ±39°F (12 ±4°C) T[°C] OFF	= 68°F ±37°F (20 ±3°C)
Available voltages	24VAC, 120VAC (+/-10%) PoE available upon request.	
Max power consumption	25W MAX	

VIDEO/CAMERA

Sensor	1/1.8" Progressive CMOS
Resolution	4K resolution (3864x2180)
Compression	H.265/H.264/MJPEG
Streaming	Up to 4 individually configurable streams, configurable resolution/frame rate/bandwidth LBR/VBR/CBR in H.265/H.264
Frame Rate	H.265 HDR 4K @30fps + d1 @30fps, H.264 HDR 4K @30fps + d1 @30fps, MJPEG 1080p @30fps
Sensitivity	Color: 0.04 lux, B/W: 0.002 lux
Shutter Speed	1~1/10000 sec.
Dynamic range	WDR/HDR
Iris	P-Iris, Auto-Iris
Lens	22x Optical Zoom Auto Focus, 10x digital, focal Length 6.4-138.5 mm
Image settings	Color, Brightness, Sharpness, Contrast, White Balance, Exposure Control, 2DNR, 3DNR, NR by Motion, Masking, Text Overlay
Event Triggers	External Input, Analytics, Network Failure Detection, Periodical Event, Manual Trigger
Event Actions	External Output Activation, Video and audio recording to edge storage, File Upload : FTP, network share and email, Notification : HTTP, FTP, email
Local Storage	microSD (card not provided)
Network Storage	support for recording to NAS

NETWORK

Interface	10/100/1000 Mbps Ethernet
Security	User Authentication/ HTTPS/ IP Filter/ IEEE 802.1x/SNMPv3
ONVIF	ONVIF profile G/S/T compliant
Protocols	IPv4/v6, TCP, UDP, RTP, RTSP, HTTP, HTTPS, ICMP, FTP, SMTP, DHCP, PPPoE, UPnP, IGMP, SNMPv1-3, QoS, ARP, NTP

CERTIFICATIONS

Ingress Protection Rating	EN 60529 (IP66/IP67); NEMA 4X Class I, Zone 1, AEx db op pr IIC T6 Gb -40°C ≤ Tamb ≤ +60°C Zone 21, AEx tb IIIC T85°C Db -40°C ≤ Tamb ≤ +55°C Zone 21, AEx tb IIIC T90°C Db -40°C ≤ Tamb ≤ +60°C Class I, Zone 1, AEx db op pr IIB T5 Gb -40°C ≤ Tamb ≤ +75°C Zone 21, AEx tb IIIC T100°C Db -40°C ≤ Tamb ≤ +70°C Zone 21, AEx tb IIIC T105°C Db -40°C ≤ Tamb ≤ +75°C Class I, Div 2, Group A, B, C, D T6 -40°C ≤ Tamb ≤ +60°C * Class I, Div 2, Group C, D T5 -40°C ≤ Tamb ≤ +75°C *
----------------------------------	---

* Suitable for Class I Div 2 using Zone 1 wiring methods as permitted per NEC Art. 501

IECEx Standards	IEC 60079-0; IEC 60079-1; IEC 60079-28; IEC 60079-31
EMC	EN 50130-4; EN 55035 ; EN/IEC 61000-6-2 ; EN/IEC 61000-6-4
LVD	EN 60950-1; EN 60950-22
RoHS	2011/65/EU + 2015/863/EU (RoHS 3)
WEEE	2012/19/EU
North America Standards	FM Class 3600; FM Class 3810; ANSI/UL 61010-1; ANSI/UL 60079-0; ANSI/UL 60079-1; ANSI/UL 60079-28; ANSI/ISA 60079-31; ANSI/UL 50E; ANSI/IEC 60529 CSA C22.2 No. 0.4; CSA C22.2 No. 0.5; CAN/CSA C22.2 No. 61010-1; CAN/CSA-C22.2 No. 60079-0; CAN/CSA-C22.2 No. 60079-1; CAN/CSA-C22.2 No. 60079-28; CAN/CSA-C22.2 No. 60079-31; CSA C22.2 No. 94.2; CAN/CSA C22.2 No. 60529

MODELS

EXUSF129TV4-C2M/24	Flameproof camera station, 24VAC
EXUSF129TV4-C2M/120	Flameproof camera station, 120VAC
EXUSF129WRTV4-C2M/24	Flameproof camera station with wiper, 24VAC
EXUSF129WRTV4-C2M/120	Flameproof camera station with wiper, 120VAC

Available upon request:
- built-in Single Mode fiber optic Media Converter
- POE

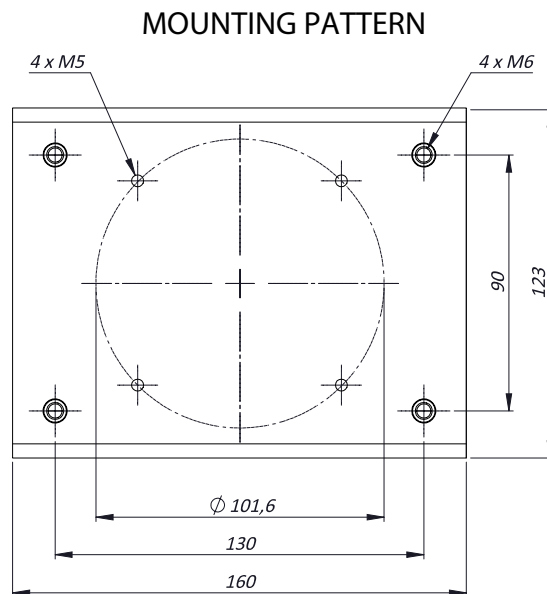
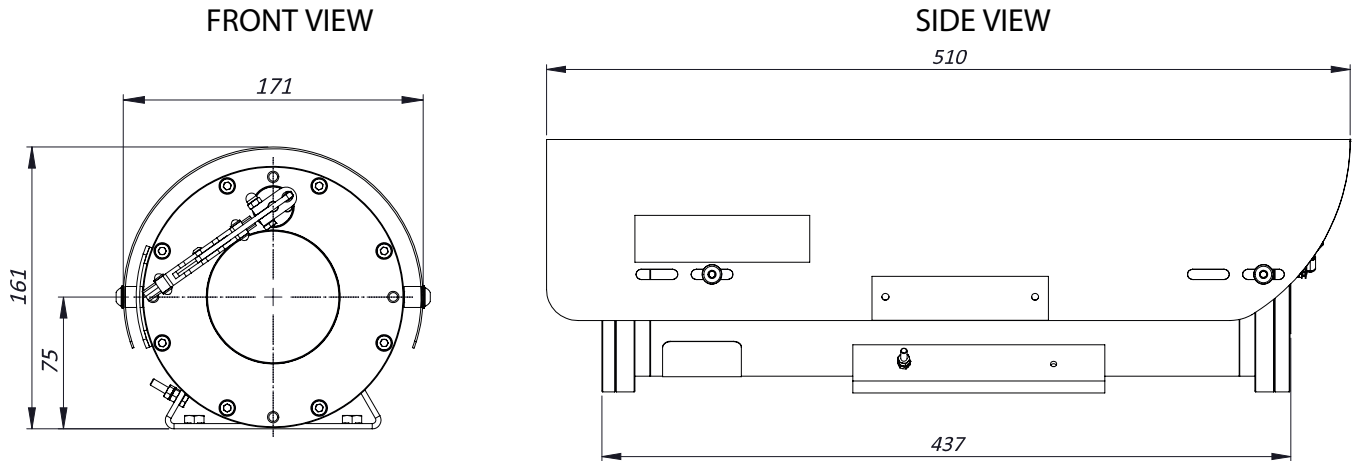
ACCESSORIES

SSBK-M	Wall mounting bracket
SSPM-M	Pole mount adapter for SSBK-M
SSPTM-M	Top pole mount adapter

FLAMEPROOF FIXED CAMERA STATION

DIMENSIONS

The dimensions in the technical drawings are in millimetres.



MAX EXTERNAL LENGTH

Model	L1 [mm]	L2 [mm]
EXUSF129TV4-C2M	510mm (20in)	437mm (17in)
EXUSF129WRTV4-C2M	510mm (20in)	437mm (17in)