

TECNOVIDEO

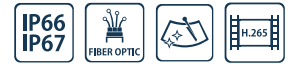
CCTV SYSTEMS AND ACCESSORIES

EXULF129TV4 SERIES

FLAMEPROOF ULTRA HD CAMERA STATION

HAZARDOUS AREA

- HAZARDOUS LOCATION CERTIFIED CAMERA
- ULTRA HD 4K CAMERA, 30FPS, 22x AUTOFOCUS OPTICAL ZOOM
- AISI316L STAINLESS STEEL CONSTRUCTION
- -40°F +140°F, +167°F peak
- 24VAC or 120VAC
- SUPPORTS 802.1X and SNMP (V1-3)



TECHNICAL SPECIFICATIONS

GENERAL & MECHANICAL

Dimensions	See drawings next page
Operating Temperature	-40° +60°C, +75°C peak (-40°F +140°F, +167°F peak)
Construction	AISI316L Stainless Steel
Finish	Electro-polished
Mounting	4x M5 on 101,6 PCD 4x M6 on 90x130mm (3.54x5.12in)
Cable entries	2x M25 x1,5 cable entries
Wiper	Yes
Weight	Unit: 15kg (33lb)/ Package: 16,5kg (36.4lb) (version with wiper)

ELECTRICAL

Thermostatically controlled heater
T[°C] ON = 53 ±39°F (12 ±4°C) T[°C] OFF = 68°F ± 37°F (20 ± 3°C)

Available voltages	24VAC, 120VAC (+/-10%)
Max power consumption	25W

VIDEO/CAMERA

Sensor	1/1.8" Progressive CMOS, 4K resolution (3864x2180)
Compression	H.265/H.264/MJPEG
Streaming	Up to 4 individually configurable streams, configurable resolution/frame rate/bandwidth LBR/VBR/CBR in H.265/H.264
Frame Rate	H.265 HDR 4K @30fps + d1 @30fps, H.264 HDR 4K @30fps + d1 @30fps, MJPEG 1080p @30fps
Sensitivity	Color: 0.04 lux, B/W: 0.002 lux
Shutter Speed	1~1/10000 sec.
Dynamic range	WDR (>120dB)/HDR
Lens	22x Optical Zoom Auto Focus, focal Length 6.4-138.5 mm
Image settings	Color, Brightness, Sharpness, Contrast, White Balance, Exposure Control, 2DNR, 3DNR, NR by Motion, Masking, Text Overlay
Event Triggers	External Input, Analytics, Network Failure Detection, Periodical Event, Manual Trigger

NETWORK

Interface	10/100/1000 Mbps Ethernet
Security	User Authentication/ HTTPS/ IP Filter/ IEEE 802.1x
ONVIF	ONVIF profile G/S/T compliant
Protocols	ARP, PPPoE, IPv4/v6, ICMP, IGMP, QoS, TCP, UDP, DHCP, UPnP, SNMP, SMTP, RTP, RTSP, HTTP, HTTPS, FTP, NTP

CERTIFICATIONS

Ingress Protection Rating	EN60529 (IP66/IP67), NEMA 4X Class I, Zone 1, AEx db IIC T6 Gb -40°C ≤ Ta ≤ +60°C Ex db IIC T6 Gb X -40°C ≤ Ta ≤ +60°C Class I, Zone 1, AEx db IIB T5 Gb -40°C ≤ Ta ≤ +75°C Ex db IIB T5 Gb X -40°C ≤ Ta ≤ +75°C Class I, Div 2, Group A B C D T6 -40°C ≤ Ta ≤ +60°C Class I, Div 2, Group B C D T5 -40°C ≤ Ta ≤ +75°C
North American Standards	UL 60950-1-07; UL 60079-0; UL 60079-1; CAN/CSA C22.2 No. 60950-1-07; CAN/CSA C22.2 No. 60079-0; CAN/CSA C22.2 No. 60079-1
EMC	EN 50130-4; EN 55035 ; EN/IEC 61000-6-2 ; EN/IEC 61000-6-4; FCC part 15B
LVD	EN 60950-1; EN 60950-22
RoHS	2011/65/EU + 2015/863/EU (RoHS 3)
WEEE	2012/19/EU

MODELS

EXULF129TV4-C2M/24	Fixed camera station, 24VAC
EXULF129TV4-C2M/120	Fixed camera station, 120VAC
EXULF129WRTV4-C2M/24¹	Fixed camera station with wiper, 24VAC
EXULF129WRTV4-C2M/120¹	Fixed camera station with wiper, 120VAC

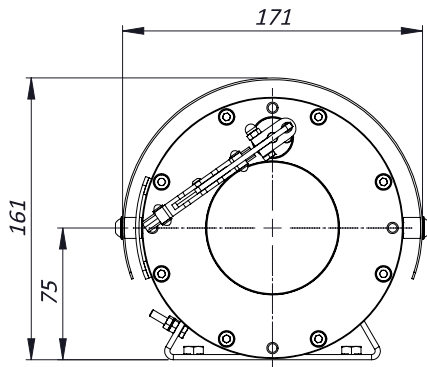
All the above models include sunshield and heater.
¹ RX24IO telemetry receiver is included.

ACCESSORIES

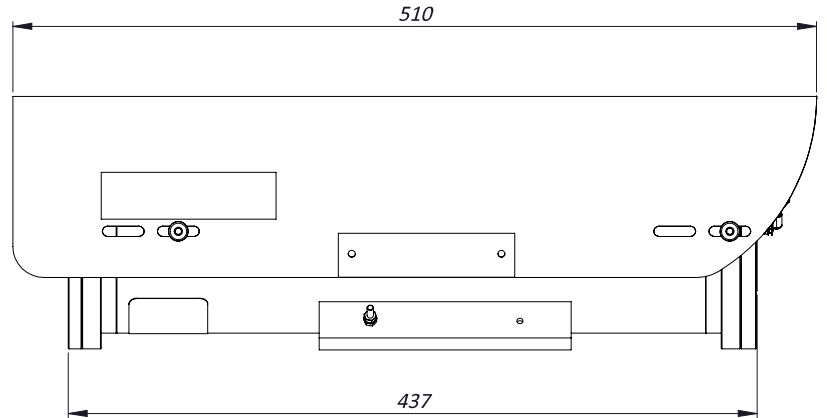
SSBK-M	AISI316L wall mounting bracket
SSPM-M	AISI316L pole mount adapter for SSBK-M
SSPTM-M	AISI316L top pole mount adapter

DIMENSIONS

FRONT VIEW



SIDE VIEW



MOUNTING PATTERN

