

TECNOVIDEO

CCTV SYSTEMS AND ACCESSORIES

EXULF129TV2 SERIES

FLAMEPROOF CAMERA STATION

HAZARDOUS AREA

- HAZARDOUS LOCATION CERTIFIED CAMERA
- 3MP CAMERA, 30FPS, 33x AUTOFOCUS OPTICAL ZOOM
- AISI316L STAINLESS STEEL CONSTRUCTION
- -40°F +140°F, +167°F peak
- 24VAC or 120VAC
- SUPPORTS 802.1X and SNMP (V1-3)



TECHNICAL SPECIFICATIONS

GENERAL & MECHANICAL

Dimensions	See drawings next page
Operating Temperature	-40°F +140°F, +167°F peak (-40° +60°C, +75°C peak)
Construction	AISI316L Stainless Steel
Finish	Electro-polished
Mounting	4x M5 on 101,6 PCD, 4x M6 on 90x130mm (3.54x5.12in)
Cable entries	2x M25 x1,5 cable entries
Wiper	Yes
Weight	Unit: 15kg (33lb)/ Package: 16,5kg (36.4lb) (version with wiper)

ELECTRICAL

Thermostatically controlled heater	
T[°C] ON	= 53 ±39°F (12 ±4°C)
T[°C] OFF	= 68°F ± 37°F (20 ± 3°C)
Available voltages	24VAC, 120VAC (+/-10%)
Max power consumption	25W

VIDEO/CAMERA

Sensor	1/2.8" Progressive CMOS, 3MP
Compression	M-JPEG/H.264/H.265
Streaming	Up to 4 configurable streams
Resolution	Up to 2065x1553 @30fps
Frame Rate	30 fps
Sensitivity	Color: 0.04 lux, B/W: 0.002 lux
Shutter Speed	1-1/10000 s
Dynamic range	WDR/HDR
Lens	33x Optical Zoom, 10x Digital zoom, AF, P-Iris, Auto-Iris; 4.6-152mm; F1.6
Image settings	Color, Brightness, Sharpness, Contrast, White Balance, Exposure control, 2DNR/3DNR/NR by motion masking
Event Triggers	External Input, Analytics, Network Failure Detection, Periodical Event, Manual Trigger
Event Actions	External Output Activation
Local Storage	microSD (card not provided)
Network Storage	support for recording to NAS

NETWORK

Interface	10/100 Mbps Ethernet
Security	User Authentication/ HTTPS/ IP Filter/ IEEE 802.1x
Connectivity	ONVIF profile G/S/T compliant
Protocols	IPv4/v6, TCP, UDP, RTP, RTSP, HTTP, HTTPS, ICMP, FTP, SMTP, DHCP, PPPoE, UPnP, IGMP, SNMP, QoS, ARP, NTP

CERTIFICATIONS

Ingress Protection Rating	EN 60529 (IP66/IP67), NEMA 4X Class I, Zone 1, AEx db IIC T6 Gb -40°C ≤ Ta ≤ +60°C Ex db IIC T6 Gb X -40°C ≤ Ta ≤ +60°C Class I, Zone 1, AEx db IIB T5 Gb -40°C ≤ Ta ≤ +75°C Ex db IIB T5 Gb X -40°C ≤ Ta ≤ +75°C Class I, Div 2, Group A B C D T6 -40°C ≤ Ta ≤ +60°C Class I, Div 2, Group B C D T5 -40°C ≤ Ta ≤ +75°C
North American Standards	UL 60950-1-07; UL 60079-0; UL 60079-1; CAN/CSA C22.2 No. 60950-1-07; CAN/CSA C22.2 No. 60079-0; CAN/CSA C22.2 No. 60079-1
EMC	EN 50130-4; EN 55035; EN/IEC 61000-6-2; EN/IEC 61000-6-4; FCC part 15B
LVD	EN 60950-1; EN 60950-22
RoHS	2011/65/EU + 2015/863/EU (RoHS 3)
WEEE	2012/19/EU

MODELS

EXULF129TV2-C2M/24	Fixed camera station, 24VAC
EXULF129TV2-C2M/120	Fixed camera station, 120VAC
EXULF129WRTV2-C2M/24¹	Fixed camera station with wiper, 24VAC
EXULF129WRTV2-C2M/120¹	Fixed camera station with wiper, 120VAC

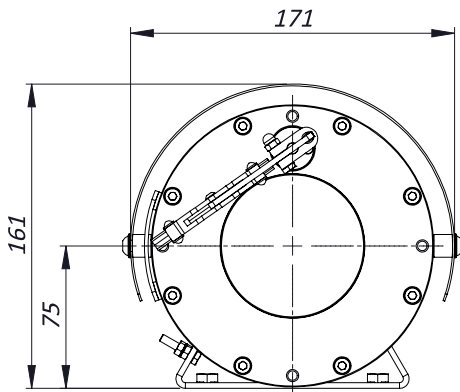
All the above models include sunshield and heater.
¹ RX24IO telemetry receiver is included.

ACCESSORIES

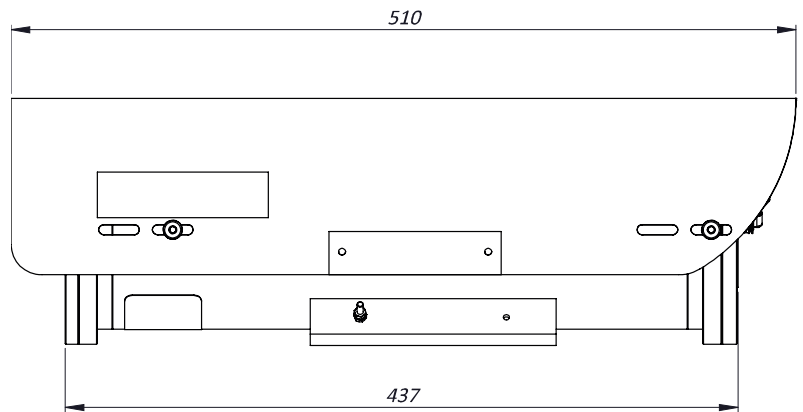
SSBK-M	Wall mounting bracket
SSPM-M	Pole mount adapter for SSBK-M
SSPTM-M	Top pole mount adapter

DIMENSIONS

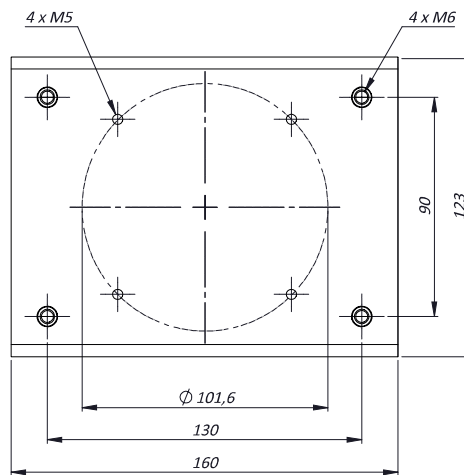
FRONT VIEW



SIDE VIEW



MOUNTING PATTERN



MAX EXTERNAL LENGTH

Model	L1 [mm]	L2 [mm]
EXULF129TV2-C2M/24	510	437
EXULF129TV2-C2M/120	510	437
EXULF129WRTV2-C2M/24	510	437
EXULF129WRTV2-C2M/120	510	437

MAX EXTERNAL USABLE AREA

Model	Max internal dimensions [mm]	Max usable internal diameter [mm]
EXULF129TV2-C2M/24	80X80X285	90
EXULF129TV2-C2M/120	80X80X285	90
EXULF129WRTV2-C2M/24	80X80X265	90
EXULF129WRTV2-C2M/120	80X80X265	90