

# TECNOVIDEO

CCTV SYSTEMS AND ACCESSORIES

## EXUL129 SERIES

FLAMEPROOF CAMERA HOUSING

HAZARDOUS AREA

- HAZARDOUS LOCATION CERTIFIED CAMERA
- AISI316L STAINLESS STEEL CONSTRUCTION
- SUITABLE FOR ANALOG AND IP CAMERAS
- INTEGRATED WIPER VERSION AVAILABLE
- WEATHERPROOF STANDARD IP66/IP67
- 24VAC or 120VAC



### TECHNICAL SPECIFICATIONS

#### GENERAL & MECHANICAL

<b>Dimensions</b>	See drawings next page
<b>Operating Temperature</b>	-40°F +140°F, +167°F peak (-40°C +60°C, +75°C peak)
<b>Construction</b>	AISI316L Stainless Steel
<b>Finish</b>	Electro-polished
<b>Mounting</b>	4x M5 on 101,6 PCD 4x M6 on 90x130mm (3.54x5.12in)
<b>Cable entries</b>	2x M25 x1,5 cable entries Up to 4x M25x1,5 or up to 4x M20x1,5 upon request
<b>Wiper</b>	Yes
<b>Weight</b>	
<b>Model</b>	Unit: 12kg (26lb)/ Gross weight: 13kg (28.6lb) (MEDIUM size with wiper)

#### ELECTRICAL

**Thermostatically controlled heater**  
T[°C] ON = 53 ± 39°F (12 ± 4°C) T[°C] OFF = 68°F ± 37°F (20 ± 3°C)

<b>Available voltages</b>	24VAC, 120VAC (+/-10%)
<b>Max power consumption</b>	25W

#### CERTIFICATIONS

<b>Ingress Protection Rating</b>	EN 60529 (IP66/IP67), NEMA 4X Class I, Zone 1, AEx db IIC T6 Gb -40°C ≤ Ta ≤ +60°C Ex db IIC T6 Gb X -40°C ≤ Ta ≤ +60°C Class I, Zone 1, AEx db IIB T5 Gb -40°C ≤ Ta ≤ +75°C Ex db IIB T5 Gb X -40°C ≤ Ta ≤ +75°C Class I, Div 2, Group A B C D T6 -40°C ≤ Ta ≤ +60°C Class I, Div 2, Group B C D T5 -40°C ≤ Ta ≤ +75°C
<b>North American Standards</b>	UL 60950-1-07; UL 60079-0; UL 60079-1; CAN/CSA C22.2 No. 60950-1-07; CAN/CSA C22.2 No. 60079-0; CAN/CSA C22.2 No. 60079-1
<b>EMC</b>	EN 50130-4; EN 55035 ; EN/IEC 61000-6-2 ; EN/IEC 61000-6-4; FCC part 15B
<b>LVD</b>	EN 60950-1; EN 60950-22
<b>RoHS</b>	2011/65/EU + 2015/863/EU (RoHS 3)
<b>WEEE</b>	2012/19/EU

#### MODELS

<b>EXUL129-C2M/24</b>	Fixed camera station, MEDIUM size, 24VAC/DC
<b>EXUL129-C2L/24</b>	Fixed camera station, MEDIUM size, 24VAC
<b>EXUL129WR-C2M/24<sup>1</sup></b>	Fixed camera station with wiper, MEDIUM size, 24VAC
<b>EXUL129WR-C2L/24<sup>1</sup></b>	Fixed camera station with wiper, LONG size, 24VAC
<b>EXUL129-C2M/120</b>	Fixed camera station, MEDIUM size, 120VAC
<b>EXUL129-C2L/120</b>	Fixed camera station, LONG size, 120VAC
<b>EXUL129WR-C2M/120<sup>2</sup></b>	Fixed camera station with wiper, MEDIUM size, 120VAC
<b>EXUL129WR-C2L/120<sup>2</sup></b>	Fixed camera station with wiper, LONG size, 120VAC

All the above models include sunshield and heater.

<sup>1</sup> RX24IO telemetry receiver is included.

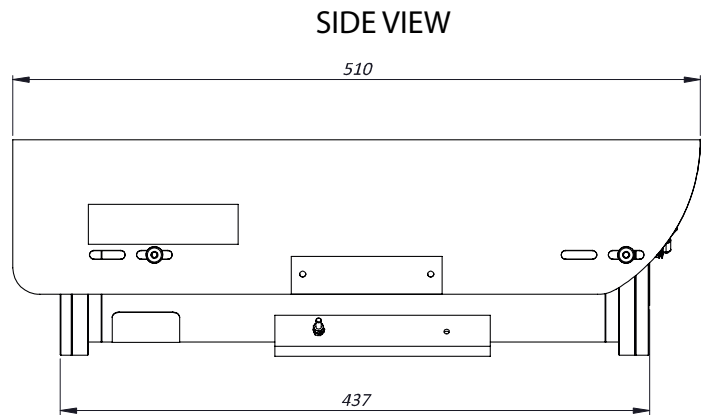
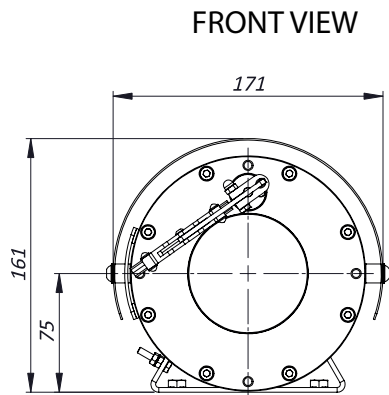
<sup>2</sup> RX24IO telemetry receiver and 120VAC/12VDC power supply are included

#### ACCESSORIES

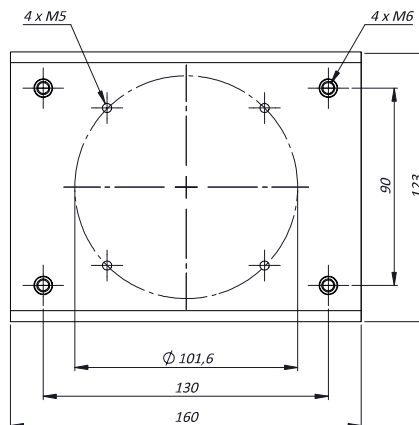
<b>SSBK-M</b>	Wall mounting bracket
<b>SSPM-M</b>	Pole mount adapter for SSBK-M
<b>SSPTM-M</b>	Top pole mount adapter

## FLAMEPROOF CAMERA HOUSING

### DIMENSIONS



### MOUNTING PATTERN



### MAX EXTERNAL LENGTH

Model	L1 [mm]	L2 [mm]
EXUL129-C2M/EXUL129WR-C2M	510mm (20in)	437mm (17in)
EXUL129-C2L/EXUL129WR-C2L	630mm (25in)	560mm (22in)

### MAX INTERNAL USABLE AREA

Model	Max internal dimensions [mm]	Max usable internal diameter [mm]
EXUL129-C2M	80x80x285mm (3.1x3.1x11in)	95mm (3.7in)
EXUL129-C2L	80x80x405mm (3.1x3.1x16in)	95mm (3.7in)
EXUL129WR-C2M	80x80x265mm (3.1x3.1x10in)	85mm (3.3in)
EXUL129WR-C2L	80x80x390mm (3.1x3.1x15in)	85mm (3.3in)
EXUL129-C2M	80x80x285mm (3.1x3.1x11in)	95mm (3.7in)

Please contact us if bigger cameras/zoom lenses are needed.