

TECNOVIDEO

CCTV SYSTEMS AND ACCESSORIES

EXPTZTV4-LED SERIES

EXPLOSIONPROOF ULTRA HD PTZ CAMERA STATION WITH IR LED

HAZARDOUS AREA

- ATEX/IECEX/UKCA/INMETRO PTZ FOR HAZARDOUS LOCATIONS
- AISI316L STAINLESS STEEL CONSTRUCTION
- ULTRA HD 4K CAMERA, 30FPS, 22x AUTOFOCUS OPTICAL ZOOM
- IR LED ILLUMINATOR
- CERTIFICATION TEMPERATURE -40°C +60°C
- OPTIONAL BUILT-IN FIBER MEDIA CONVERTER
- OPTIONAL BUILT-IN 115VAC or 230VAC POWER SUPPLIES



TECHNICAL SPECIFICATIONS

GENERAL & MECHANICAL

Dimensions	See drawings next page
Operating Temperature	-40° +60°C (-40°F +140°F)
Construction	AISI316L Stainless Steel
Finish	Electro-polished
Mounting	4x Ø11 on 195 PCD
Cable entries	1x M25x1,5 cable entry
Wiper	Yes
Pan Angle	360° continuous rotation
Pan Speed	0 – 40°/second
Pan Torque	20Nm (limited with safety device)
Tilt Angle	180° (+/-90°)
Tilt Speed	0 – 20°/second
Tilt Torque	20Nm (limited with safety device)
Rotation angle	Electronically adjustable
Backlash	<0,1°
Max preset accuracy	0,04°
Control protocol	Pelco D (via RS485)
Weight	Unit: 47,5kg / Package: 53kg

ELECTRICAL

Thermostatically controlled heater	T[°C] ON = 12 ± 4°C, T[°C] OFF = 20 ± 3°C
---	---

Supply voltage	24VAC, 115VAC, 230VAC (+/-10%)
Power consumption	120W MAX

LED ILLUMINATOR

LED	14x SMD LED
Wavelength	850nm
Available beam patterns	15° or 34° beams

VIDEO/CAMERA

Sensor	1/1.8" Progressive CMOS
Resolution	4K resolution (3864x2180)
Compression	H.265/H.264/MJPEG
Streaming	Up to 4 configurable streams
Frame Rate	H.265 HDR 4K @30fps + d1 @30fps, H.264 HDR 4K @30fps + d1 @30fps, MJPEG 1080p @30fps
Sensitivity	Color: 0.04 lux, B/W: 0.002 lux
Shutter Speed	1~1/10000 sec.
Dynamic range	WDR/HDR
Lens	22x Optical Zoom Auto Focus, 10x Digital, focal Length 6.4-138.5 mm
Image settings	Color, Brightness, Sharpness, Contrast, White Balance, Exposure Control, 2DNR, 3DNR, NR by Motion, Masking, Text Overlay
Event Triggers	External Input, Analytics, Network Failure Detection, Periodical Event, Manual Trigger
Event Actions	External Output Activation, Video and audio recording to edge storage, File Upload: FTP, network share and email, Notification: HTTP, FTP, email
Local Storage	microSD (card not provided)
Network Storage	support for recording to NAS

NETWORK

Interface	10/100/1000 Mbps Ethernet
Security	User Authentication/ HTTPS/ IP Filter/ IEEE 802.1x

ONVIF Protocols

ONVIF profile G/S/M/T compliant
 ARP, PPPoE, IPv4/v6, IGMP, IGMP, QoS, TCP, UDP, DHCP, UPnP, SNMP, SMTP, RTP, RTSP, HTTP, HTTPS, FTP, NTP

CERTIFICATIONS

Ingress Protection Rating	EN 60529 (IP66/IP67) Ⓜ II 2 G Ex db op is op pr IIC T5 Gb -40°C ≤ Tamb ≤ +40°C Ⓜ II 2 D Ex tb op is IIC T100°C Db -40°C ≤ Tamb ≤ +40°C Ⓜ II 2 G Ex db op is op pr IIB T4 Gb -40°C ≤ Tamb ≤ +60°C Ⓜ II 2 D Ex tb op is IIC T135°C Db -40°C ≤ Tamb ≤ +60°C
----------------------------------	--

ATEX/UKEX Standards EN 60079-0; EN 60079-1; EN 60079-28; EN 60079-31
IECEX Standards IEC 60079-0; IEC 60079-1; IEC 60079-28; IEC 60079-31
INMETRO ABNT NBR IEC 60079-0; ABNT NBR IEC 60079-1; ABNT NBR IEC 60079-28; ABNT NBR IEC 60079-31

EMC	EN/IEC 61000-6-2; EN/IEC 61000-6-4; EN 50130-4
LVD	EN 60950-1; EN 60950-22
RoHS	2011/65/EU + 2015/863/EU (RoHS 3)
WEEE	2012/19/EU

MODELS

EXPTZTV4-CRLED15/24	PTZ camera station, IR LED illuminator with 15° beam pattern, 24VAC
EXPTZTV4-CRLED15/230	PTZ camera station, IR LED illuminator with 15° beam pattern, 230VAC
EXPTZTV4-CRLED34/24	PTZ camera station, IR LED illuminator with 34° beam pattern, 24VAC
EXPTZTV4-CRLED34/230	PTZ camera station, IR LED illuminator with 34° beam pattern, 230VAC
EXPTZTV4FO-CRLED15/24	PTZ camera station, IR LED illuminator with 15° beam pattern, SM FO media converter, 24VAC
EXPTZTV4FO-CRLED15/230	PTZ camera station, IR LED illuminator with 15° beam pattern, SM FO media converter, 230VAC
EXPTZTV4FO-CRLED34/24	PTZ camera station, IR LED illuminator with 34° beam pattern, SM FO media converter, 24VAC
EXPTZTV4FO-CRLED34/230	PTZ camera station, IR LED illuminator with 34° beam pattern, SM FO media converter, 230VAC

Suffix /115 is used for 115VAC models. All the above PTZ camera stations include sunshield, heater and wiper, variable speed motors, fixed cable entry 1x M25x1,5 on a base mount junction box.

PRE-ASSEMBLED CONDUIT TAILS

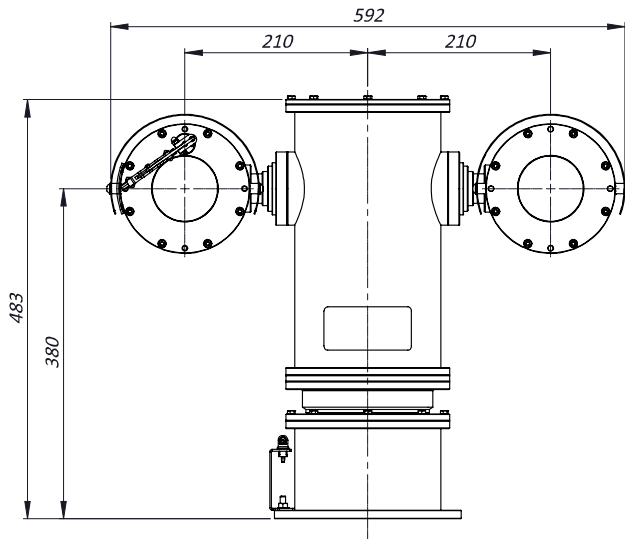
EXACCTF3-B	3 meters armoured composite cable tail (power, Ethernet, data) with 2x M25 barrier nickel plated brass glands. For PTZ camera
EXACCTF3-D	3 meters armoured composite cable tail (power, data, fiber optic) with 2x M25 barrier nickel plated brass glands. Fiber termination: SC. For PTZ camera
EXACCTF5-B	5 meters armoured composite cable tail (power, Ethernet, data) with 2x M25 barrier nickel plated brass glands. For PTZ camera
EXACCTF5-D	5 meters armoured composite cable tail (power, data, fiber optic) with 2x M25 barrier nickel plated brass glands. Fiber termination: SC. For PTZ camera
EXACCTF10-B	10 meters armoured composite cable tail (power, Ethernet, data) with 2x M25 barrier nickel plated brass glands. For PTZ camera
EXACCTF10-D	10 meters armoured composite cable tail (power, data, fiber optic) with 2x M25 barrier nickel plated brass glands. Fiber termination: SC. For PTZ camera

ACCESSORIES

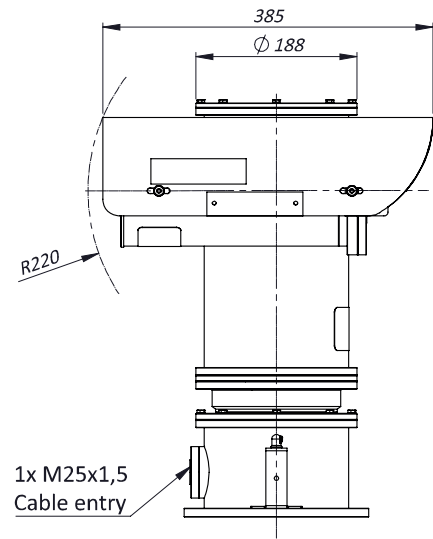
SSBK-L	Wall mounting bracket
---------------	-----------------------

DIMENSIONS

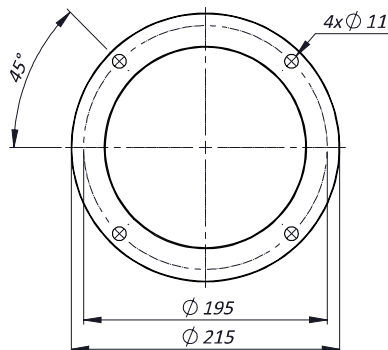
EXPTZTV2-LED FRONT VIEW



EXPTZTV2-LED SIDE VIEW



MOUNTING PATTERN



The unit cannot be installed upside-down nor horizontally