

TECNOVIDEO

CCTV SYSTEMS AND ACCESSORIES

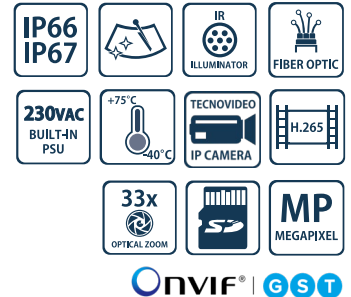
EXPTZTV2-LED SERIES

STAINLESS STEEL PTZ CAMERA STATION WITH IR



HAZARDOUS AREA

- ATEX/IECEx PTZ FOR HAZARDOUS LOCATIONS
- AISI316L STAINLESS STEEL CONSTRUCTION
- 3MP CAMERA, 30FPS, 33x AUTOFOCUS OPTICAL ZOOM
- IR LED ILLUMINATOR
- -40°C +60°C +75°C peak
- OPTIONAL BUILT-IN FIBER MEDIA CONVERTER
- OPTIONAL BUILT-IN 115VAC or 230VAC POWER SUPPLIES



TECHNICAL SPECIFICATIONS

GENERAL & MECHANICAL

Dimensions	See drawings next page
Operating Temperature	-40°C +60°C, +75°C peak (-40°F +140°F, +167°F peak)
Construction	AISI316L Stainless Steel
Finish	Electro-polished
Mounting	4x Ø11 on 195 PCD
Cable entries	1x M25x1,5 cable entry
Wiper	Yes
Pan Angle	360° continuous rotation
Pan Speed	0 – 36°/second
Pan Torque	20Nm (limited with safety device)
Tilt Angle	180° (+/-90°)
Tilt Speed	0 – 18°/second
Tilt Torque	20Nm (limited with safety device)
Rotation angle	Electronically adjustable
Backlash	<0,1°
Max preset accuracy	0.04°
Control protocol	Pelco D (via RS485)
Weight	Unit: 47,5kg / Gross weight: 53kg

ELECTRICAL

Thermostatically controlled heater	T[°C] ON = 12 ± 4°C, T[°C] OFF = 20 ± 3°C
Supply voltage	24VAC, 115VAC, 230VAC (+/-10%)
Power consumption	120W MAX

LED ILLUMINATOR

LED	14x SMD LED
Wavelength	850nm
Available beam patterns	15° or 34° beams

VIDEO/CAMERA

Sensor	1/2.8" Progressive CMOS, 3MP
Compression	M-JPEG/H.264/H.265
Streaming	Up to 4 configurable streams
Resolution	Up to 2065x1553 @30fps
Frame Rate	30 fps
Iris	Auto-Iris, F1.6
Sensitivity	Color: 0.04 lux, B/W: 0.002 lux
Shutter Speed	1~1/10000 s
Optical Filter	Automatically removable IR-cut filter
White Balance	Contrast White Balance
Dynamic range	WDR/Multi Exposure HDR
Analytics	Motion Detection/ Tampering/ Audio detection
Lens	33x Optical Zoom, 10x Digital Zoom, AF, P-Iris, Auto-Iris; 4.6-152mm; F1.6
Image settings	Color, Brightness, Sharpness, Contrast, White Balance, Exposure control, 2DNR/3DNR/NR by motion masking
Event Triggers	External Input, Analytics, Network Failure Detection, Periodical Event, Manual Trigger
Event Actions	External Output Activation
Audio	Compression G.711/G.726/AAC/LPCM
Local storage	microSD (card not provided)

Network Storage support for recording to NAS

NETWORK

Interface	10/100 Mbps Ethernet
Security	User Authentication/ HTTPS/ IP Filter/ IEEE 802.1x
ONVIF	ONVIF profile G/S/T compliant
Protocols	IPv4/v6, TCP, UDP, RTP, RTSP, HTTP, HTTPS, ICMP, FTP, SMTP, DHCP, PPPoE, UPnP, IGMP, SNMP, QoS, ARP, NTP

CERTIFICATIONS

Ingress Protection Rating	EN 60529 (IP66/IP67) ⊕ II 2 G Ex db op is op pr IIC T5 Gb -40°C ≤ Tamb ≤ +40°C ⊕ II 2 D Ex tb op is IIC T100°C Db -40°C ≤ Tamb ≤ +40°C ⊕ II 2 G Ex db op is op pr IIB T4 Gb -40°C ≤ Tamb ≤ +60°C ⊕ II 2 D Ex tb op is IIC T135°C Db -40°C ≤ Tamb ≤ +60°C
ATEX Standards	EN 60079-0; EN 60079-1; EN 60079-28; EN 60079-31
IECEx Standards	IEC 60079-0; IEC 60079-1; IEC 60079-28; IEC 60079-31
EMC	EN/IEC 61000-6-2; EN/IEC 61000-6-4; EN 50130-4
LVD	EN 60950-1 ; EN 60950-22
RoHS	2011/65/EU + 2015/863/EU (RoHS 3)
WEEE	2012/19/EU

MODELS

EXPTZTV2-CRLED15/24	PTZ camera station, IR LED illuminator with 15° beam pattern, 24VAC
EXPTZTV2-CRLED15/230	PTZ camera station, IR LED illuminator with 15° beam pattern, 230VAC
EXPTZTV2-CRLED34/24	PTZ camera station, IR LED illuminator with 34° beam pattern, 24VAC
EXPTZTV2-CRLED34/230	PTZ camera station, IR LED illuminator with 34° beam pattern, 230VAC
EXPTZTV2FO-CRLED15/24	PTZ camera station, IR LED illuminator with 15° beam pattern, SM FO media converter, 24VAC
EXPTZTV2FO-CRLED15/230	PTZ camera station, IR LED illuminator with 15° beam pattern, SM FO media converter, 230VAC
EXPTZTV2FO-CRLED34/24	PTZ camera station, IR LED illuminator with 34° beam pattern, SM FO media converter, 24VAC
EXPTZTV2FO-CRLED34/230	PTZ camera station, IR LED illuminator with 34° beam pattern, SM FO media converter, 230VAC

Suffix /115 is used for 115VAC models.
All the above PTZ camera stations include sunshield, heater and wiper, variable speed motors, fixed cable entry 1x M25x1,5 on a base mount junction box.

PRE-ASSEMBLED CONDUIT TAILS

EXACCTF3	3 meters armoured composite cable tail (power, CAT5e, data, fiber optic) + 2x M25 barrier nickel plated brass glands. Fiber termination: SC
EXACCTF5	5 meters armoured composite cable tail (power, CAT5e, data, fiber optic) + 2x M25 barrier nickel plated brass glands. Fiber termination: SC
EXACCTF10	10 meters armoured composite cable tail (power, CAT5e, data, fiber optic) + 2x M25 barrier nickel plated brass glands. Fiber termination: SC

ACCESSORIES

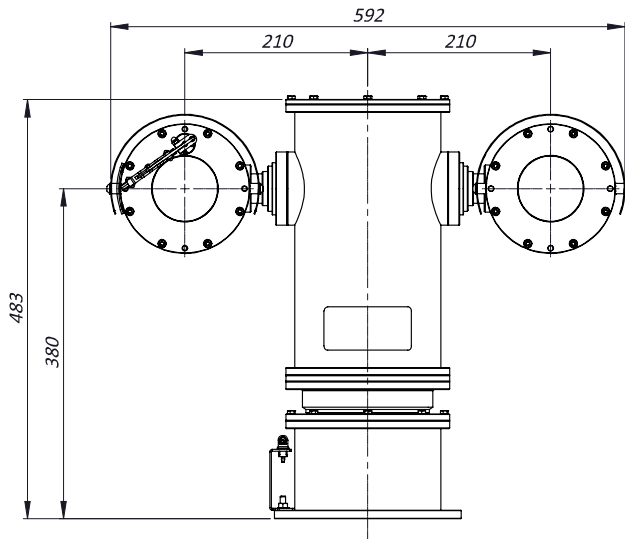
SSBK-L	Wall mounting bracket
---------------	-----------------------

www.tecnovideoctv.com

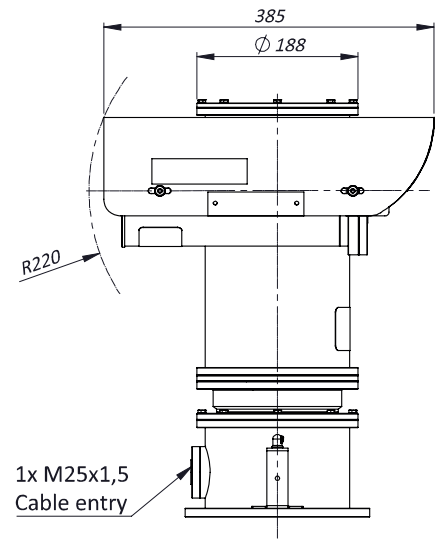
STAINLESS STEEL PTZ CAMERA STATION WITH IR

DIMENSIONS

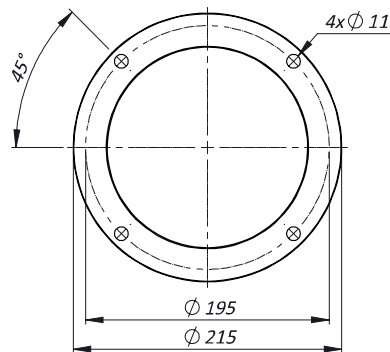
EXPTZTV2-LED FRONT VIEW



EXPTZTV2-LED SIDE VIEW



MOUNTING PATTERN



The unit cannot be installed upside-down nor horizontally