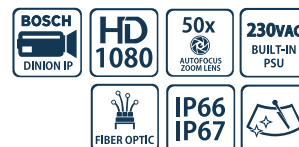


- ATEX/IECEX PTZ FOR HAZARDOUS LOCATIONS
- AISI316L STAINLESS STEEL CONSTRUCTION
- INTEGRATED BOSCH DINION IP STARLIGHT CAMERA
- INTEGRATED AUTOFOCUS 50x MOTORIZED ZOOM LENS
- BUILT-IN VIDEO ANALYTICS
- OPTIONAL BUILT-IN FIBER MEDIA CONVERTER
- OPTIONAL BUILT-IN 115VAC or 230VAC POWER SUPPLIES



POWERED BY  
**BOSCH**  
DINION IP



### TECHNICAL SPECIFICATIONS

#### GENERAL & MECHANICAL

<b>Dimensions</b>	See drawings next page
<b>Operating Temperature</b>	-20° +60°C (-4° +140° F)
<b>Construction</b>	AISI316L Stainless Steel
<b>Finish</b>	Electro-polished
<b>Mounting</b>	4x Ø11 on 195 PCD
<b>Cable entries</b>	1x M25x1.5 cable entry
<b>Wiper</b>	Yes
<b>Pan Angle</b>	360° continuous rotation
<b>Pan Speed</b>	0 – 36°/second
<b>Pan Torque</b>	20Nm (limited with safety device)
<b>Tilt Angle</b>	180° (+/-90°)
<b>Tilt Speed</b>	0 – 18°/second
<b>Tilt Torque</b>	20Nm (limited with safety device)
<b>Rotation angle</b>	Electronically adjustable
<b>Backlash</b>	<0,1°
<b>Max preset accuracy</b>	0.04°
<b>Weight</b>	Unit: 40Kg / Gross weight: 45Kg
<b>ELECTRICAL</b>	
<b>Thermostatically controlled heater</b>	<b>T[°C] ON</b> = 12 ± 4°C, <b>T[°C] OFF</b> = 20 ± 3°C
<b>Supply voltage</b>	24VAC, 115VAC, 230VAC (+/-10%)
<b>Power consumption</b>	95W MAX

#### CAMERA

LENS MODEL	DINION IP Starlight CAMERA SERIES		
	6000 HD (6)	7000 HD (7)	8000 MP (8)
<b>A50</b>	6A50	7A50	8A50

To order the camera and lens to be integrated in the housing, please specify the related number (camera series) and letter (lens model) in the ordering code (see MODELS).

**Example:**  
For the EXPTZTB6A50-CR/24 housing with integrated DINION IP Starlight 6000 HD (6), 50x AF zoom lens (A50), 360° continuous pan rotation (-CR) the ordering code is: EXPTZTB6A50-CR/24.

For the complete camera specifications, please check the official Bosch camera datasheet.

#### LENS

<b>Sensor</b>	1/1.8"
<b>Zoom Ratio</b>	50x
<b>Focal Length</b>	10 - 500mm
<b>IR corrected</b>	Yes
<b>Focus</b>	Automatic
<b>Horizontal Angle of View</b>	35.12 - 0.81
<b>Iris Range</b>	F4.6 - 360

#### CERTIFICATIONS

<b>Ingress Protection Rating</b>	EN 60529 (IP66/IP67) Ⓔ II 2 G Ex db op pr IIC T6 Gb -40°C ≤ Tamb ≤ +60°C Ⓔ II 2 D Ex tb IIIC T85°C Db -40°C ≤ Tamb ≤ +60°C Ⓔ II 2 G Ex db op pr IIB T5 Gb -40°C ≤ Tamb ≤ +75°C Ⓔ II 2 D Ex tb IIIC T100°C Db -40°C ≤ Tamb ≤ +75°C EN/IEC 60068-2-6; EN/IEC 60068-2-27
<b>Vibrations</b>	EN 60079-0; EN 60079-1; EN 60079-28; EN 60079-31
<b>ATEX Standards</b>	IEC 60079-0; IEC 60079-1; IEC 60079-28; IEC 60079-31
<b>IECEX Standards</b>	
<b>EMC</b>	EN 50130-4; EN 55035 ; EN/IEC 61000-6-2 ; EN/IEC 61000-6-4
<b>LVD</b>	EN 60950-1; EN 60950-22
<b>RoHS</b>	2011/65/EU + 2015/863/EU (RoHS 3)
<b>WEEE</b>	2012/19/EU

#### MODEL

<b>EXPTZTB A50-CR/24</b>	PTZ camera station, 24VAC
<b>EXPTZTB A50-CR/115</b>	PTZ camera station, 115VAC
<b>EXPTZTB A50-CR/230</b>	PTZ camera station, 230VAC
<b>EXPTZTB A50FO-CR/24</b>	PTZ camera station, SM FO media converter, 24VAC
<b>EXPTZTB A50FO-CR/115</b>	PTZ camera station, SM FO media converter, 115VAC
<b>EXPTZTB A50FO-CR/230</b>	PTZ camera station, SM FO media converter, 230VAC

C= Camera. For the ordering codes, please refer to the CAMERA table.

All the above PTZ camera stations include sunshield, heater and wiper, variable speed motors, fixed cable entry 1x M25x1,5 on a base mount junction box.

#### ARMoured COMPOSITE CABLE TAILS

<b>EXACCTF3</b>	3 meters armoured composite cable tail (power, CAT5e, data, fiber optic) + 2x M25 barrier nickel plated brass glands. Fiber termination: SC
<b>EXACCTF5</b>	5 meters armoured composite cable tail (power, CAT5e, data, fiber optic) + 2x M25 barrier nickel plated brass glands. Fiber termination: SC
<b>EXACCTF10</b>	10 meters armoured composite cable tail (power, CAT5e, data, fiber optic) + 2x M25 barrier nickel plated brass glands. Fiber termination: SC

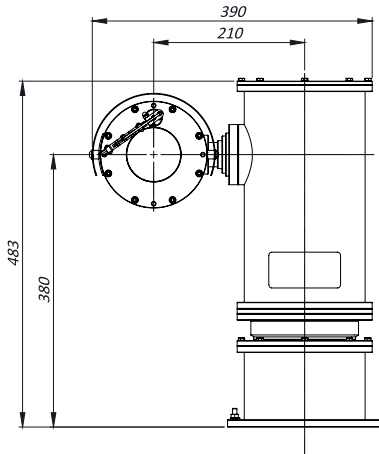
#### ACCESSORIES

<b>SSBK-L</b>	Wall mounting bracket
---------------	-----------------------

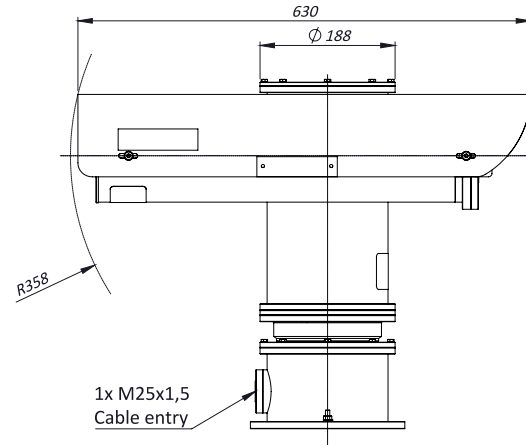
## STAINLESS STEEL PTZ CAMERA STATION

### DIMENSIONS

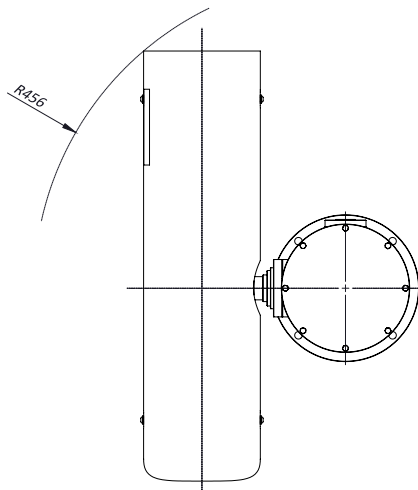
FRONT VIEW



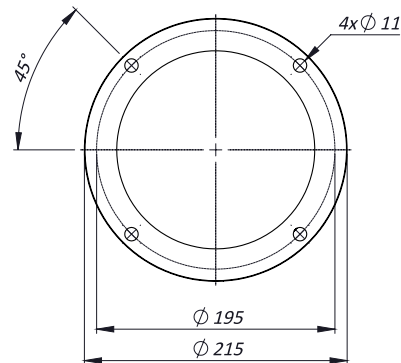
SIDE VIEW



TOP VIEW



MOUNTING PATTERN



### MAX EXTERNAL LENGTH

Model	L1 [mm] Height	L2 [mm] Width
EXPTZTB8A50-CR/24	483	630
EXPTZTB8A50-CR/115	483	630
EXPTZTB8A50-CR/230	483	630
EXPTZTB8A50FOCR/24	483	630
EXPTZTB8A50FOCR/115	483	630
EXPTZTB8A50FOCR/230	483	630

*The unit cannot be installed upside-down nor horizontally*

*Bosch, its logos and emblems are registered trademarks of Robert Bosch GmbH.*