

## EXPTZDUALTV2 SERIES

EXPLOSIONPROOF STAINLESS STEEL PTZ DUAL CAMERA STATION

HAZARDOUS AREA

- ATEX/IECEX/UKCA/INMETRO DUAL PTZ FOR HAZARDOUS LOCATIONS
- AISI316L STAINLESS STEEL CONSTRUCTION
- 3MP CAMERA, 30FPS, 33x AUTOFOCUS OPTICAL ZOOM
- CHOICES OF QVGA/VGA THERMAL CAMERAS AND LENSES
- CERTIFICATION TEMPERATURE -40°C +75°C
- OPTIONAL BUILT-IN FIBER MEDIA CONVERTER
- OPTIONAL BUILT-IN 115VAC or 230VAC POWER SUPPLIES
- PATENTED GRIDLESS THERMAL WINDOW AVAILABLE



### TECHNICAL SPECIFICATIONS

#### GENERAL & MECHANICAL

<b>Dimensions</b>	See drawings next page
<b>Operating Temperature</b>	-40° +60°C, +75°C peak (-40°F +140°F, +167°F peak)
<b>Construction</b>	AISI316L Stainless Steel
<b>Finish</b>	Electro-polished
<b>Mounting</b>	4x Ø11 on 195 PCD
<b>Cable entries</b>	1x M25x1,5 cable entry
<b>Wiper</b>	Yes
<b>Pan Angle</b>	360° (continuous rotation)
<b>Pan Speed</b>	0 – 40°/second
<b>Pan Torque</b>	20Nm (limited with safety device)
<b>Tilt Angle</b>	180° (+/-90°)
<b>Tilt Speed</b>	0 – 20°/second
<b>Tilt Torque</b>	20Nm (limited with safety device)
<b>Rotation angle</b>	Electronically adjustable
<b>Backlash</b>	<0,1°
<b>Max preset accuracy</b>	0.04°
<b>Control protocol</b>	Pelco D (via RS485)
<b>Weight</b>	Unit: 48,5kg / Package: 54kg

#### ELECTRICAL

**Thermostatically controlled heater** T[°C] ON = 12 ± 4°C, T[°C] OFF = 20 ± 3°C

**Supply voltage** 24VAC, 115VAC, 230VAC (+/-10%)  
**Power consumption** 120W MAX

#### VIDEO/CAMERA

<b>Sensor</b>	1/2.8" Progressive CMOS, 3MP
<b>Resolution</b>	Up to 2065x1553 @30fps
<b>Compression</b>	H.265/H.264/MJPEG
<b>Streaming</b>	Up to 4 configurable streams
<b>Frame Rate</b>	30 fps
<b>Iris</b>	Auto-Iris, F1.6
<b>Sensitivity</b>	Color: 0.04 lux, B/W: 0.002 lux
<b>Shutter Speed</b>	1~1/10000 s
<b>Optical Filter</b>	Automatically removable IR-cut filter
<b>White Balance</b>	Contrast White Balance
<b>Dynamic range</b>	WDR/HDR
<b>Lens</b>	33x Optical Zoom Autofocus, 10x Digital Zoom, AF, P-Iris, Auto-Iris; 4.6-152mm; F1.6
<b>Image settings</b>	Color, Brightness, Sharpness, Contrast, White Balance, Exposure control, 2DNR/3DNR/NR by motion masking
<b>Event Triggers</b>	External Input, Analytics, Network Failure Detection, Periodical Event, Manual Trigger
<b>Event Actions</b>	External Output Activation
<b>Analytics</b>	Motion Detection/ Tampering/ Audio detection
<b>Local Storage</b>	microSD (card not provided)
<b>Network Storage</b>	support for recording to NAS

#### VIDEO/CAMERA (THERMAL)

Various combinations of QVGA/VGA thermal cameras and lenses are available, 9Hz or 25Hz.

#### NETWORK

**Interface** 10/100 Mbps Ethernet

#### Security

**ONVIF** User Authentication/ HTTPS/ IP Filter/ IEEE 802.1x

**Protocols** ONVIF profile G/S/T compliant

IPv4/v6, TCP, UDP, RTP, RTSP, HTTP, HTTPS, ICMP, FTP, SMTP, DHCP, PPPoE, UPnP, IGMP, SNMP, QoS, ARP, NTP

#### CERTIFICATIONS

**Ingress Protection Rating** EN 60529 (IP66/IP67)  
 Ⓜ II 2 G Ex db op pr IIC T6 Gb -40°C ≤ Tamb ≤ +60°C  
 Ⓜ II 2 D Ex tb IIIC T85°C Db -40°C ≤ Tamb ≤ +60°C  
 Ⓜ II 2 G Ex db op pr IIB T5 Gb -40°C ≤ Tamb ≤ +75°C  
 Ⓜ II 2 D Ex tb IIIC T100°C Db -40°C ≤ Tamb ≤ +75°C

**ATEX/UKEX Standards** EN 60079-0; EN 60079-1; EN 60079-28; EN 60079-31  
**IEC Standards** IEC 60079-0; IEC 60079-1; IEC 60079-28; IEC 60079-31  
**INMETRO** ABNT NBR IEC 60079-0; ABNT NBR IEC 60079-1; ABNT NBR IEC 60079-28; ABNT NBR IEC 60079-31

**EMC** EN 50130-4; EN 55035 ; EN/IEC 61000-6-2 ; EN/IEC 61000-6-4  
**LVD** EN 60950-1; EN 60950-22  
**RoHS** 2011/65/EU + 2015/863/EU (RoHS 3)  
**WEEE** 2012/19/EU

#### MODELS

<b>EXPTZDUALTV2-CR/24</b>	DUAL PTZ with day/night IP camera, housing for thermal camera, 24VAC
<b>EXPTZDUALTV2-CR/115</b>	DUAL PTZ with day/night IP camera, housing for thermal camera, 115VAC
<b>EXPTZDUALTV2-CR/230</b>	DUAL PTZ with day/night IP camera, housing for thermal camera, 230VAC
<b>EXPTZDUALTV2FO-CR/24</b>	DUAL PTZ with day/night IP camera, housing for thermal camera, SM FO Media Converter, 24VAC
<b>EXPTZDUALTV2FO-CR/115</b>	DUAL PTZ with day/night IP camera, housing for thermal camera, SM FO Media Converter, 115VAC
<b>EXPTZDUALTV2FO-CR/230</b>	DUAL PTZ with day/night IP camera, housing for thermal camera, SM FO Media Converter, 230VAC

All the above PTZ camera stations include sunshield and heater, a wiper on the day/night camera housing, a built-in telemetry receiver, variable speed motors, fixed cable entry 1x M25x1,5 on a base mount junction box. The above models are equipped with a protective front grid on the Germanium window. Gridless versions are available upon request.

#### PRE-ASSEMBLED CONDUIT/CABLE TAILS

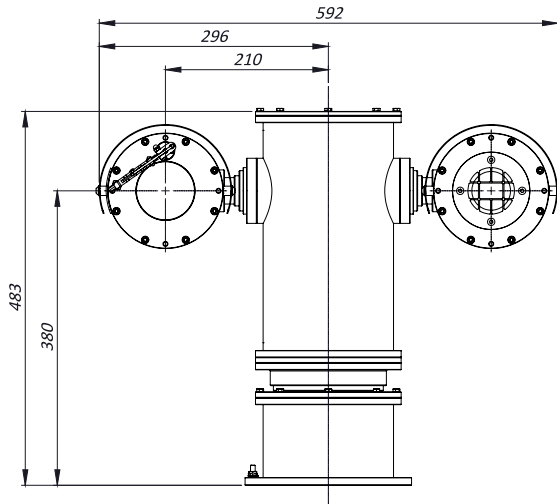
<b>EXACCTF3-B</b>	3 meters armoured composite cable tail (power, Ethernet, data) with 2x M25 barrier nickel plated brass glands. For PTZ camera
<b>EXACCTF3-D</b>	3 meters armoured composite cable tail (power, data, fiber optic) with 2x M25 barrier nickel plated brass glands. Fiber termination: SC. For PTZ camera
<b>EXACCTF5-B</b>	5 meters armoured composite cable tail (power, Ethernet, data) with 2x M25 barrier nickel plated brass glands. For PTZ camera
<b>EXACCTF5-D</b>	5 meters armoured composite cable tail (power, data, fiber optic) with 2x M25 barrier nickel plated brass glands. Fiber termination: SC. For PTZ camera
<b>EXACCTF10-B</b>	10 meters armoured composite cable tail (power, Ethernet, data) with 2x M25 barrier nickel plated brass glands. For PTZ camera
<b>EXACCTF10-D</b>	10 meters armoured composite cable tail (power, data, fiber optic) with 2x M25 barrier nickel plated brass glands. Fiber termination: SC. For PTZ camera

#### ACCESSORIES

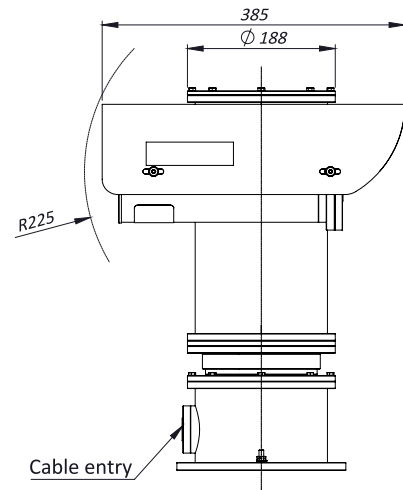
**SSBK-L** Wall mounting bracket

## DIMENSIONS

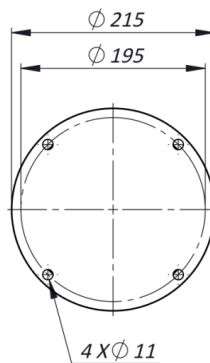
FRONT VIEW



SIDE VIEW



MOUNTING PATTERN



### MAX EXTERNAL LENGTH

Model	L1 [mm]	Height	L2 [mm]	Width
EXPTZDUALTV2-CR	483		592	

### MAX INTERNAL AVAILABLE DIMENSIONS

Model	Max internal dimensions [mm]	Max usable internal diameter [mm]
EXPTZDUALTV2-CR (thermal housing)	80x80x160	95

*The unit cannot be installed upside-down nor horizontally*