

EXPTZDTV2-LED SERIES

STAINLESS STEEL PTZ CAMERA STATION

HAZARDOUS AREA

AISI316L STAINLESS STEEL CONSTRUCTION
 WEATHERPROOF STANDARD IP66/IP67
 UP TO 2065x1553 @30FPS
 33x OPTICAL ZOOM, AUTO FOCUS
 DIRECT FIBER OPTIC CONNECTION
 INTEGRATED IR LED ILLUMINATOR



TECHNICAL SPECIFICATIONS

GENERAL & MECHANICAL

Dimensions	See drawings next page
Operating Temperature	-20° +60°C (-4° +140° F)
Construction	AISI316L Stainless Steel
Finish	Electro-polished
Mounting	4x Ø11 on 195 PCD
Cable entries	1x M25x1,5 cable entry
Pan Angle	360° (continuous rotation)
Pan Speed	0 – 36°/second
Pan Torque	80Nm
Tilt Angle	180° (+/-90°)
Tilt Speed	0 – 18°/second
Tilt Torque	107Nm
Rotation angle	Electronically adjustable
Backlash	<0,1°
Max preset accuracy	0.04°
Weight	Unit: 43,5kg / Package: 47,5kg

ELECTRICAL

Supply voltage	24V~, 115V~, 230V~ (+/-10%)
Power consumption	120W MAX

Thermostatically controlled heater
T[°C] ON = 12 ± 4°C, **T[°C] OFF** = 20 ± 3°C

LED ILLUMINATOR

LED	14x SMD LED
Wavelength	850nm
Available beam patterns	15°, 19° or 34° circular beam

VIDEO/CAMERA

Sensor	1/2.8" Progressive CMOS, 3MP
Compression	M-JPEG/H.264/H.265
Streaming	Up to 4 configurable streams
Resolution	Up to 2065x1553 @30fps
Sensitivity	Color: 0.04 lux, B/W: 0.002 lux
Dynamic range	High Dynamic Range (HDR)
Lens	33x Optical Zoom, AF, P-Iris, Auto-Iris; 4.6-152mm; F1.6
Image settings	Color, Brightness, Sharpness, Contrast, White Balance, Exposure control, 2DNR/3DNR/NR by motion masking
Event Triggers	External Input, Analytics, Network Failure Detection, Periodical Event, Manual Trigger

NETWORK

Interface	10/100 Mbps Ethernet
Protocols	IPv4/V6, TCP, UDP, RTP, RTSP, HTTP, HTTPS, ICMP, FTP, SMTP, DHCP, PPPoE, UPnP, IGMP, SNMP, QoS, ARP, NTP, DDNS

EXPTZDTV2-LED PTZ CAMERA HOUSING WITH IR ILLUMINATOR

CERTIFICATIONS

Ingress Protection Rating	EN 60529 (IP66/IP67) Ⓜ II 2 G Ex db op is op pr IIC T5 Gb -40°C ≤ Tamb ≤ +40°C Ⓜ II 2 D Ex tb op is IIC T100°C Db -40°C ≤ Tamb ≤ +40°C Ⓜ II 2 G Ex db op is op pr IIB T4 Gb -40°C ≤ Tamb ≤ +60°C Ⓜ II 2 D Ex tb op is IIC T135°C Db -40°C ≤ Tamb ≤ +60°C
ATEX Standards	EN 60079-0:2012; EN 60079-1:2014; EN 60079-28:2015; EN 60079-31:2014
IECEx Standards	IEC 60079-0:2011; IEC 60079-1:2014-06; IEC 60079-28:2015; IEC 60079-31:2013
EMC	EN 61000-6-3:2007; EN 50130-4:1995 + A1:1998 + A2:2003
LVD	EN 60950-1:2006 + A11:2009
RoHS	2011/65/EU
WEEE	2012/19/EU

MODELS

EXPTZDTV2-CRLED/24¹	PTZ camera station with IR illuminator. 360° continuous pan rotation
EXPTZDTV2FO-CRLED/24¹	PTZ camera station with IR illuminator. 360° continuous pan rotation. SM FO media converter.

¹ 24V~ models. Suffix /115 is used for 115V~ models. Suffix /230 is used for 230V~ models.
 All the above PTZ camera stations include sunshield and heater, a 850nm LED IR illuminator, built-in telemetry receiver, variable speed motors, fixed cable entry 1x M25x1,5 on a base mount junction box.

PRE-ASSEMBLED CONDUIT/CABLE TAILS

EXCTN25IP3	3 metres 25mm Ethernet conduit tail + 2x M25 nickel plated brass glands
EXCTN25IP5	5 metres 25mm Ethernet conduit tail + 2x M25 nickel plated brass glands
EXCTN25IP10	10 metres 25mm Ethernet conduit tail + 2x M25 nickel plated brass glands
EXACCTF3	3 meters armoured composite cable tail + 2x M25 barrier nickel plated brass glands
EXACCTF5	5 meters armoured composite cable tail + 2x M25 barrier nickel plated brass glands
EXACCTF10	10 meters armoured composite cable tail + 2x M25 barrier nickel plated brass glands

MOUNTING ACCESSORIES

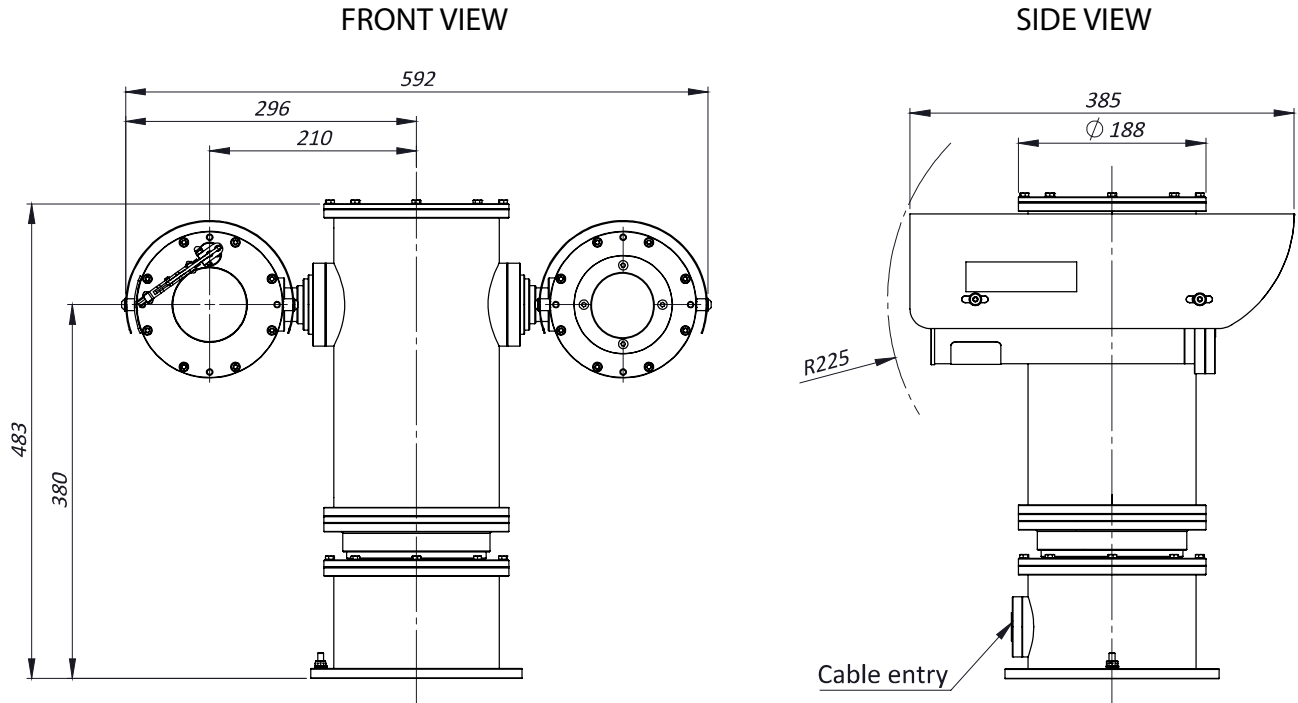
EXSSBKPTZ	Wall mounting bracket
------------------	-----------------------

ACCESSORIES AND SPARE PARTS

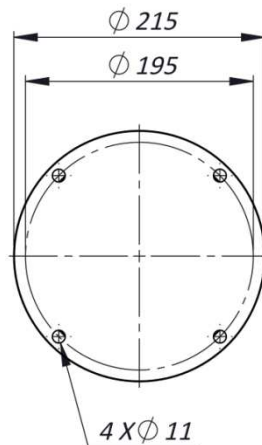
RX250DC-CR_EVO	Telemetry receiver, RS485, PELCO D protocol, for 360° continuous PAN rotation PTZ units.
-----------------------	--

STAINLESS STEEL PTZ CAMERA STATION

DIMENSIONS



MOUNTING PATTERN



The unit cannot be installed upside-down nor horizontally