

- ATEX/IECEx INCREASED SAFETY JUNCTION BOX
- SUITABLE FOR EX E AND EX I TERMINALS
- SUITABLE FOR ZONE 1-21, 2-22
- AISI316L STAINLESS STEEL CONSTRUCTION
- WEATHERPROOF STANDARD IP66/IP67
- IK10 SHOCK RESISTANCE
- FOR USE IN HIGHLY CORROSIVE ENVIRONMENTS
- IDEAL FOR ONSHORE AND OFFSHORE APPLICATIONS



TECHNICAL SPECIFICATIONS

GENERAL & MECHANICAL

Dimensions	See dimensions drawings
Operating Temperature	-40° +75°C (-40° +167° F)
Construction	AISI316L Stainless Steel
Finish	Pickling
Gaskets	Silicon rubber (suitable for use -70°C/+200°C)
Hardware and Screws	AISI316L Stainless Steel
Mounting	4x on 310x240
Shock Resistance	IK10
Weight	7,0kg

ELECTRICAL

Cable entries	2 x Ø25,2mm 4 x Ø20,2mm
Terminal Blocks	3 x 6mm ² (Power connection) 3 x 2.5mm ² (Washer Out connection) 4 x 2.5mm ² (Spare DI/DO connection)

ETHERNET CONNECTIONS

Ethernet Terminal Blocks	8 wires x 2.5mm ² (10/100/1000Base-TX)
<i>The above Fiber Optic Connections are available only on EXJBe10FO version</i>	
Fiber Splice Tray	6 fibers x SC Duplex Fiber Adapter (100/1000Base-FX) Singlemode (9/125 μm), 2-fiber, SC Duplex Integrated max 12 ports Singlemode FO
<i>The above Fiber Optic Connections are available only on EXJBe10FO version</i>	

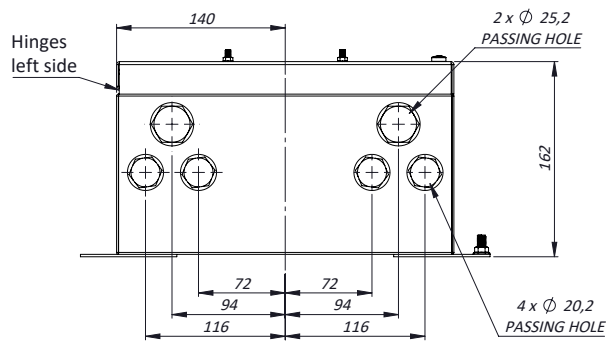
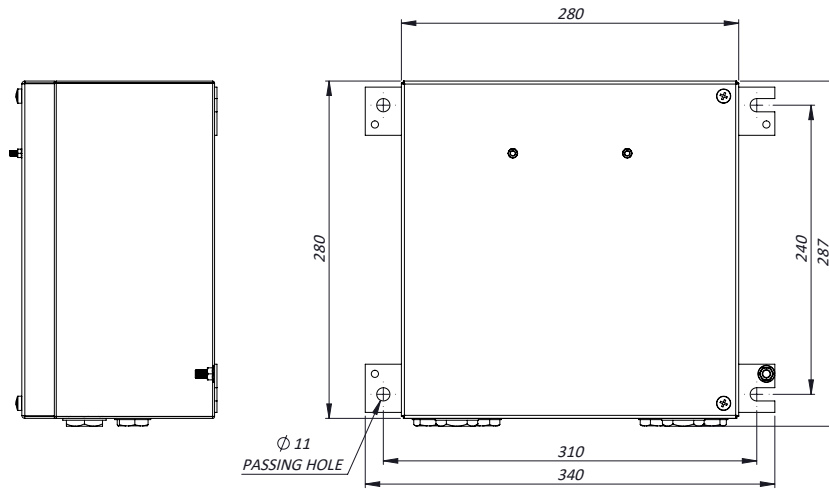
CERTIFICATIONS

Ingress Protection	EN60529 (IP66/IP67), NEMA TYPE 1; 4; 4X; 12
Rating	II 2 GD Ex e IIC T(*) Gb/Ex ia IIC T(*) Gb/Ex ib IIC T(*) Gb Ex tb IIIC T(*) Db IP66/67 *T6/T85°C; T5/T100°C; T4/T135°C
ATEX/UKEX Standards	EN 60079-0; EN 60079-1; EN 60079-7; EN 60079-11; EN 60079-18; EN 60079-31
IECEx Standards	IEC 60079-0; IEC 60079-1; IEC 60079-7; IEC 60079-11; IEC 60079-18; IEC 60079-31

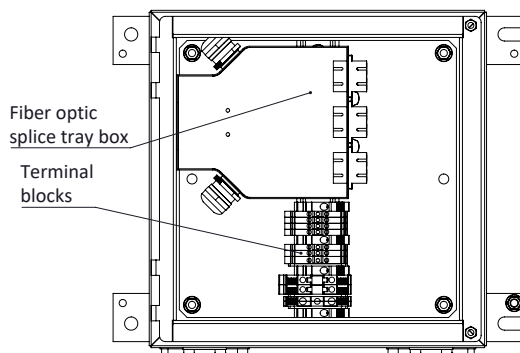
MODELS

EXJBe10IP/24	Junction Box with Ethernet connections, 24VAC /DC
EXJBe10IP/115	Junction Box with Ethernet connections, 115VAC
EXJBe10IP/230	Junction Box with Ethernet connections, 230VAC
EXJBe10FO/24	Junction Box with Fiber Optic connections, 24VAC/DC
EXJBe10FO/115	Junction Box with Fiber Optic connections, 115VAC
EXJBe10FO/230	Junction Box with Fiber Optic connections, 230VAC

DIMENSIONS



INTERNAL VIEW (EXJBE10FO VERSION)



INTERNAL VIEW (EXJBE10IP VERSION)

