

TECNOVIDEO

CCTV SYSTEMS AND ACCESSORIES

EXIRLED SERIES

STAINLESS STEEL IR LED ILLUMINATOR



HAZARDOUS AREA

AISI316L STAINLESS STEEL CONSTRUCTION
LED TECHNOLOGY
3 BEAM PATTERNS: 15°, 19°, 34°
SUNSHIELD FITTED AS STANDARD
WEATHERPROOF STANDARD IP66/IP67
REFINED AND MODERN DESIGN



EXIRLED STAINLESS STEEL INFRARED LED ILLUMINATOR WITH SUNSHIELD

TECHNICAL SPECIFICATIONS

GENERAL & MECHANICAL

Dimensions	See drawings next page
Operating Temperature	-20° +60°C (-4° +140° F)
Construction	AISI316L Stainless Steel
Finish	Electro-polished
Mounting	See drawings next page
Cable entries	2x M25x1,5 cable entries

Up to 4x M25x1,5 or up to 4x M20x1,5 cable entries available upon request

Weight Unit: 9kg; Package: 10kg

ELECTRICAL

Available voltages	24VUC (24V~/V=), 115V~, 230V~ (+/-10%)
Power consumption	25W
Activation	Via Open collector/Dry contact command
Light sensor photocell	Input available for external "Crepuscular" activation
Output	Optoisolated output to provide status feedback
STROBO command	To synchronize video signal with FPS duty cycle
Temperature protection	Automatic power reduction ¹ Automatic switch OFF ²

¹ components temperature >60°C

² components temperature >80°C

LED ILLUMINATOR

LED	14x SMD LED
Wavelength	850nm
Beam patterns	15°, 19° or 34°

CERTIFICATIONS

Ingress Protection Rating	EN 60529 (IP66/IP67) ⊕II 2 G Ex db op is op pr IIC T5 Gb -40°C ≤ Tamb ≤ +40°C ⊕II 2 D Ex tb op is IIIC T100°C Db -40°C ≤ Tamb ≤ +40°C ⊕II 2 G Ex db op is op pr IIB T4 Gb -40°C ≤ Tamb ≤ +60°C ⊕II 2 D Ex tb op is IIIC T135°C Db -40°C ≤ Tamb ≤ +60°C
ATEX Standards	EN 60079-0:2012; EN 60079-1:2014; EN 60079-28:2015; EN 60079-31:2014
IECEx Standards	IEC 60079-0:2011; IEC 60079-1:2014-06; IEC 60079-28:2015; IEC 60079-31:2013
EMC	EN 61000-6-3:2007; EN 50130-4:1995 + A1:1998 + A2:2003
LVD	EN 60950-1:2006 + A11:2009
RoHS	2011/65/EU
WEEE	2012/19/EU

MODELS

EXIRLED1415/24	Infrared LED illuminator. 15° beam pattern. Supply voltage: 24VUC
EXIRLED1419/24	Infrared LED illuminator. 19° beam pattern. Supply voltage: 24VUC
EXIRLED1434/24	Infrared LED illuminator. 34° beam pattern. Supply voltage: 24VUC
EXIRLED1415/115	Infrared LED illuminator. 15° beam pattern. Supply voltage: 115V~
EXIRLED1419/115	Infrared LED illuminator. 19° beam pattern. Supply voltage: 115V~
EXIRLED1434/115	Infrared LED illuminator. 34° beam pattern. Supply voltage: 115V~
EXIRLED1415/230	Infrared LED illuminator. 15° beam pattern. Supply voltage: 230V~
EXIRLED1419/230	Infrared LED illuminator. 19° beam pattern. Supply voltage: 230V~
EXIRLED1434/230	Infrared LED illuminator. 34° beam pattern. Supply voltage: 230V~

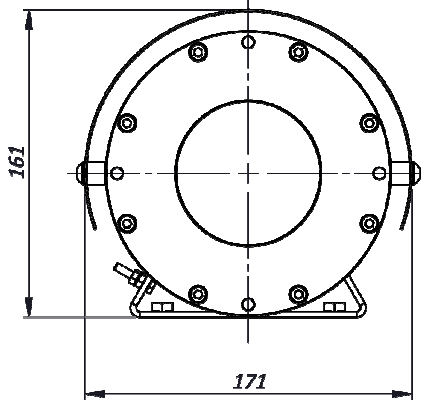
MOUNTING ACCESSORIES

EXSSBKIRLED	Wall mounting bracket with swivel joint for EXIRLED series
EXSSPMIRLED	Pole mount adapter for EXSSBKIRLED bracket
EXSSPTMIRLED	Pole TOP mount adapter for EXIRLED series

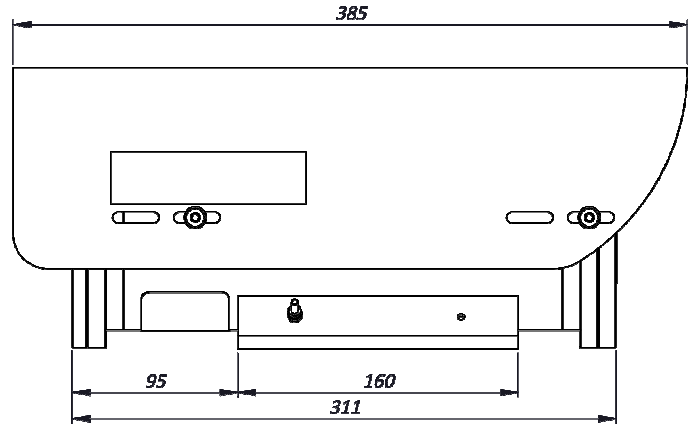
STAINLESS STEEL INFRARED LED ILLUMINATOR

DIMENSIONS

FRONT VIEW



SIDE VIEW



MOUNTING PATTERN

