

TECNOVIDEO

CCTV SYSTEMS AND ACCESSORIES

EXF129TV4 SERIES

EXPLOSIONPROOF ULTRA HD FIXED CAMERA STATION

HAZARDOUS AREA

- ATEX/IECEx/UKCA/INMETRO CAMERA FOR HAZARDOUS LOCATIONS
- ULTRA HD 4K CAMERA, 30FPS, 22x AUTOFOCUS OPTICAL ZOOM
- AISI316L STAINLESS STEEL CONSTRUCTION
- CERTIFICATION TEMPERATURE -40°C +75°C
- OPTIONAL BUILT-IN FIBER MEDIA CONVERTER
- OPTIONAL BUILT-IN 230VAC POWER SUPPLY
- SUPPORTS 802.1X and SNMP (V1-3)



TECHNICAL SPECIFICATIONS

GENERAL & MECHANICAL

| | |
|------------------------------|--|
| Dimensions | See drawings next page |
| Operating Temperature | -40° +60°C, +75°C peak (-40°F +140°F, +167°F peak) |
| Construction | AISI316L Stainless Steel |
| Finish | Electro-polished |
| Mounting | 4x M5 on 101,6 PCD 4x M6 on 90x130 |
| Cable entries | 2x M25x1,5 cable entries |
| Wiper | Yes |
| Weight | Unit: 15kg / Package: 16,5kg (version with wiper) |

ELECTRICAL

| | |
|---|---|
| Thermostatically controlled heater | T[°C] ON = 12 ± 4°C, T[°C] OFF = 20 ± 3°C |
| Available voltages | 24VAC, 115VAC, 230VAC (+/-10%) |
| Max power consumption | 25W MAX |

VIDEO/CAMERA

| | |
|------------------------|--|
| Sensor | 1/1.8" Progressive CMOS, 4K resolution (3864x2180) |
| Compression | H.265/H.264/MJPEG |
| Streaming | Up to 4 individually configurable streams, configurable resolution/frame rate/bandwidth LBR/VBR/CBR in H.265/H.264 |
| Frame Rate | H.265 HDR 4K @30fps + d1 @30fps, H.264 HDR 4K @30fps + d1 @30fps, MJPEG 1080p @30fps Color: 0.04 lux, B/W: 0.002 lux |
| Sensitivity | 1~1/10000 sec. |
| Shutter Speed | WDR/HDR |
| Dynamic range | 22x Optical Zoom Auto Focus, 10x digital, focal Length 6.4-138.5 mm |
| Lens | Color, Brightness, Sharpness, Contrast, White Balance, Exposure Control, 2DNR, 3DNR, NR by Motion, Masking, Text Overlay |
| Image settings | External Input, Analytics, Network Failure Detection, Periodical Event, Manual Trigger |
| Event Triggers | External Output Activation, Video and audio recording to edge storage, File Upload : FTP, network share and email, Notification : HTTP, FTP, email |
| Event Actions | microSD (card not provided) recording to NAS |
| Local Storage | |
| Network Storage | |

NETWORK

| | |
|------------------|--|
| Interface | 10/100/1000 Mbps Ethernet |
| Security | User Authentication/ HTTPS/ IP Filter/ IEEE 802.1x |
| ONVIF | ONVIF profile G/S/T compliant |
| Protocols | ARP, PPPoE, IPv4/v6, ICMP, IGMP, QoS, TCP, UDP, DHCP, UPnP, SNMP, SMTP, RTP, RTSP, HTTP, HTTPS, FTP, NTP |

CERTIFICATIONS

| | |
|----------------------------------|--|
| Ingress Protection Rating | EN60529 (IP66/IP67) ⊕ II 2 G Ex db op pr IIC T6 Gb -40°C ≤ Tamb ≤ +60°C ⊕ II 2 D Ex tb IIIC T85°C Db -40°C ≤ Tamb ≤ +60°C ⊕ II 2 G Ex db op pr IIB T5 Gb -40°C ≤ Tamb ≤ +75°C ⊕ II 2 D Ex tb IIIC T100°C Db -40°C ≤ Tamb ≤ +75°C |
| ATEX/UKEX Standards | EN 60079-0; EN 60079-1; EN 60079-28; EN 60079-31 |

IECEx Standards INMETRO

IEC 60079-0; IEC 60079-1; IEC 60079-28; IEC 60079-31
ABNT NBR IEC 60079-0; ABNT NBR IEC 60079-1;
ABNT NBR IEC 60079-28; ABNT NBR IEC 60079-31
EN 50130-4; EN 55035 ; EN/IEC 61000-6-2 ;
EN/IEC 61000-6-4
EN 60950-1; EN 60950-22
2011/65/EU + 2015/863/EU (RoHS 3)
2012/19/EU

EMC

LVD RoHS WEEE

MODELS

| | |
|--|--|
| EXF129TV4-C2M/24 | Fixed camera station, 24VAC |
| EXF129TV4-C2M/115 | Fixed camera station, 115VAC |
| EXF129TV4-C2M/230 | Fixed camera station, 230VAC |
| EXF129TV4FO-C2M/24 | Fixed camera station with SM FO media converter, 24VAC |
| EXF129TV4FO-C2M/115 | Fixed camera station with SM FO media converter, 115VAC |
| EXF129TV4FO-C2M/230 | Fixed camera station with SM FO media converter, 230VAC |
| EXF129WRTV4-C2M/24¹ | Fixed camera station with wiper, 24VAC |
| EXF129WRTV4-C2M/115¹ | AISI316L 8MP 22x IP camera station, with wiper, 115VAC |
| EXF129WRTV4-C2M/230¹ | AISI316L 8MP 22x IP camera station, with wiper, 230VAC |
| EXF129WRTV4FO-C2L/24¹ | AISI316L 8MP 22x IP camera station, with wiper and SM FO media converter, 24VAC |
| EXF129WRTV4FO-C2L/115¹ | AISI316L 8MP 22x IP camera station, with wiper and SM FO media converter, 115VAC |
| EXF129WRTV4FO-C2L/230¹ | AISI316L 8MP 22x IP camera station, with wiper and SM FO media converter, 230VAC |

All the above models include sunshield and heater.
¹ RX24IO telemetry receiver is included.

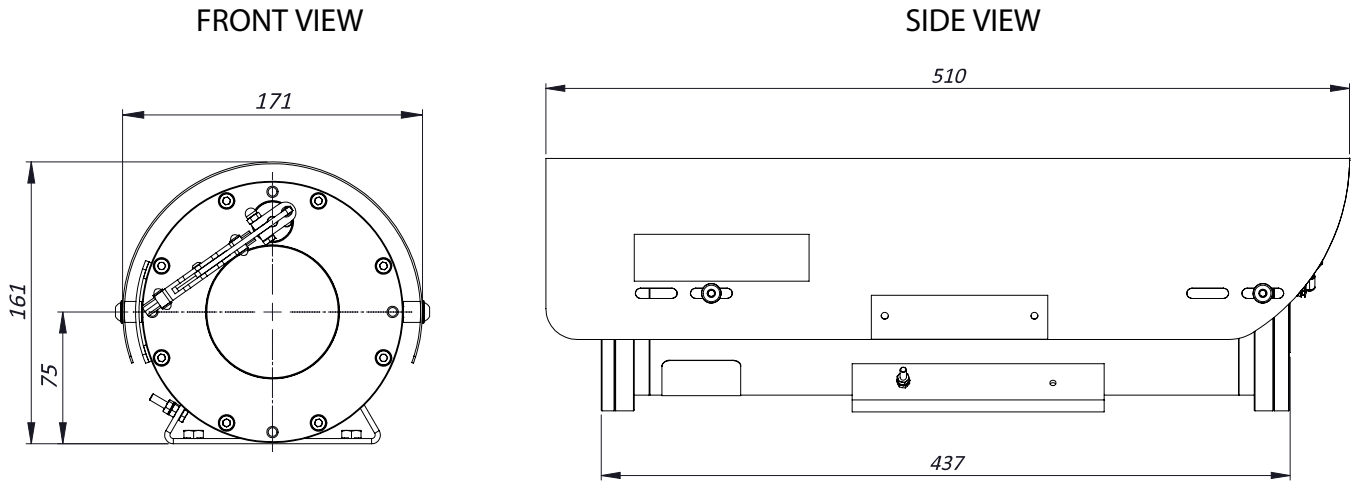
PRE-ASSEMBLED CABLE TAILS

| | |
|--------------------|---|
| EXACCTF3-A | 3 meters armored composite cable tail (power, Ethernet, data) with 2x M25 barrier nickel plated brass glands |
| EXACCTF3-C | 3 meters armored composite cable tail (power, data, fiber optic) with 2x M25 barrier nickel plated brass glands. Fiber termination: SC |
| EXACCTF5-A | 5 meters armored composite cable tail (power, Ethernet, data) with 2x M25 barrier nickel plated brass glands |
| EXACCTF5-C | 5 meters armored composite cable tail (power, data, fiber optic) with 2x M25 barrier nickel plated brass glands. Fiber termination: SC |
| EXACCTF10-A | 10 meters armored composite cable tail (power, Ethernet, data) with 2x M25 barrier nickel plated brass glands |
| EXACCTF10-C | 10 meters armored composite cable tail (power, data, fiber optic) with 2x M25 barrier nickel plated brass glands. Fiber termination: SC |

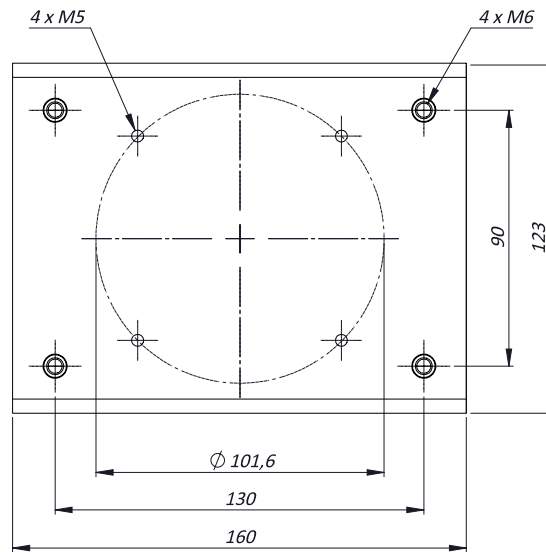
ACCESSORIES

| | |
|----------------|--|
| SSBK-M | AISI316L wall mounting bracket |
| SSPM-M | AISI316L pole mount adapter for SSBK-M |
| SSPTM-M | AISI316L top pole mount adapter |

DIMENSIONS



MOUNTING PATTERN



MAX EXTERNAL LENGTH

| Model | L1 [mm] | L2 [mm] |
|----------------------|---------|---------|
| EXF129WRTV4-C2M/24 | 510 | 437 |
| EXF129WRTV4FO-C2L/24 | 630 | 560 |