

TECNOVIDEO

CCTV SYSTEMS AND ACCESSORIES

EXF129TB SERIES

EXPLOSION PROOF FIXED CAMERA STATION

HAZARDOUS AREA

- ATEX/IECEX/UKCA/INMETRO CCTV CAMERA FOR HAZARDOUS LOCATIONS
- AISI316L STAINLESS STEEL CONSTRUCTION
- BOSCH DINION IP STARLIGHT CAMERA WITH BUILT-IN VIDEO ANALYTICS
- BVMS COMPATIBLE
- CERTIFICATION TEMPERATURE -40°C +75°C
- WEATHERPROOF STANDARD IP66/IP67
- OPTIONAL BUILT-IN FIBER MEDIA CONVERTER
- OPTIONAL BUILT-IN 115VAC or 230VAC POWER SUPPLIES



POWERED BY
BOSCH
DINION IP



TECHNICAL SPECIFICATIONS

GENERAL & MECHANICAL

Dimensions	See drawings next page	
Operating Temperature	-40°C +60°C (-40°F +140°F), cold start -30°C (-22°F)	
Construction	AISI316L Stainless Steel	
Finish	Electro-polished	
Mounting	4x M5 on 101,6 PCD 4x M6 on 90x130	
Cable entries	2x M25x1,5 cable entries	

Weight Model	Unit [kg]	Package [kg]
EXF129TB-C2M	13	14,5
EXF129WRTB-C2L	15	16,5

Weight may vary depending on the camera/lens configuration.

ELECTRICAL

Thermostatically controlled heater	
T[°C] ON = 12 ± 4°C, T[°C] OFF = 20 ± 3°C	
Available voltages	24VAC, 115VAC, 230VAC (+/-10%). PoE available upon request.
Max power consumption	25W

CAMERA/LENS

ORDERING INFORMATION

LENS MODELS	DINION IP Starlight CAMERA SERIES		
	6000 HD (6)	7000 HD (7)	8000 HD (8)
LVF-5003C-P2713 (A)	6A	7A	/
LVF-5005C-S4109 (D)	6D	7D	8D

To order the camera and lens to be integrated in the housing, please specify the related number (C-camera series) and letter (L-lens model) in the ordering code (see MODELS).

Example:
For the housing with integrated DINION IP Starlight 7000 HD (7) and LVF-5005C-S4109 (D) the ordering code is: EXF129TB7D-C2M/24

RoHS	2011/65/EU + 2015/863/EU (RoHS 3)
WEEE	2012/19/EU

CERTIFICATIONS

Ingress Protection Rating	EN 60529 (IP66/IP67) ⊕ II 2 G Ex db op pr IIC T6 Gb -40°C ≤ Tamb ≤ +60°C ⊕ II 2 D Ex tb IIIC T85°C Db -40°C ≤ Tamb ≤ +60°C ⊕ II 2 G Ex db op pr IIB T5 Gb -40°C ≤ Tamb ≤ +75°C ⊕ II 2 D Ex tb IIIC T100°C Db -40°C ≤ Tamb ≤ +75°C
ATEX/UKEX Standards	EN 60079-0; EN 60079-1; EN 60079-28; EN 60079-31
IECEX Standards	IEC 60079-0; IEC 60079-1; IEC 60079-28; IEC 60079-31
INMETRO	ABNT NBR IEC 60079-0; ABNT NBR IEC 60079-1; ABNT NBR IEC 60079-28; ABNT NBR IEC 60079-31
EMC	EN50130-4; EN55035; EN/IEC61000-6-2; EN/IEC61000-6-4
LVD	EN 60950-1; EN 60950-22

MODELS

EXF129TBCL-C2M/24	Fixed camera station, MEDIUM size, 24VAC.
EXF129TBCL-C2M/230	Fixed camera station, MEDIUM size, 230VAC.
EXF129WRTBCL-C2L/24¹	Fixed camera station, LONG size, with wiper, 24VAC
EXF129WRTBCL-C2L/230¹	Fixed camera station, LONG size, with wiper, 230VAC

C = camera, L = lens. For the ordering codes, please refer to the CAMERA/LENS table.

All the above models include sunshield and heater. ¹ RX24IO telemetry receiver is included. Available upon request: Built-in Fiber Media Converter

PRE-ASSEMBLED CABLE TAILS

EXACCTF3-A	3 meters armored composite cable tail (power, Ethernet, data) with 2x M25 barrier nickel plated brass glands
EXACCTF3-C	3 meters armored composite cable tail (power, data, fiber optic) with 2x M25 barrier nickel plated brass glands. Fiber termination: SC
EXACCTF5-A	5 meters armored composite cable tail (power, Ethernet, data) with 2x M25 barrier nickel plated brass glands
EXACCTF5-C	5 meters armored composite cable tail (power, data, fiber optic) with 2x M25 barrier nickel plated brass glands. Fiber termination: SC
EXACCTF10-A	10 meters armored composite cable tail (power, Ethernet, data) with 2x M25 barrier nickel plated brass glands
EXACCTF10-C	10 meters armored composite cable tail (power, data, fiber optic) with 2x M25 barrier nickel plated brass glands. Fiber termination: SC

ACCESSORIES

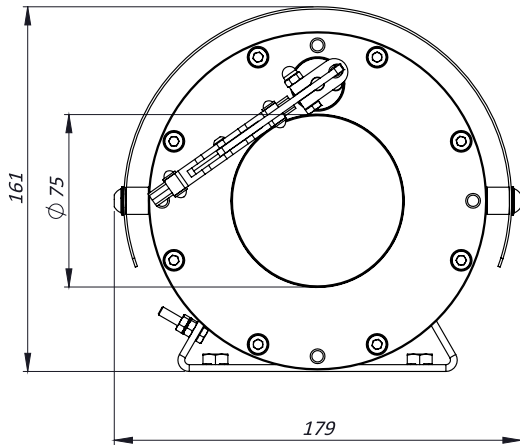
SSBK-M	AISI316L Wall Mount
SSPM-M	AISI316L Pole Mount Adapter for SSBK-M
SSPTM-M	AISI316L top pole mount

www.tecnovideoctv.com

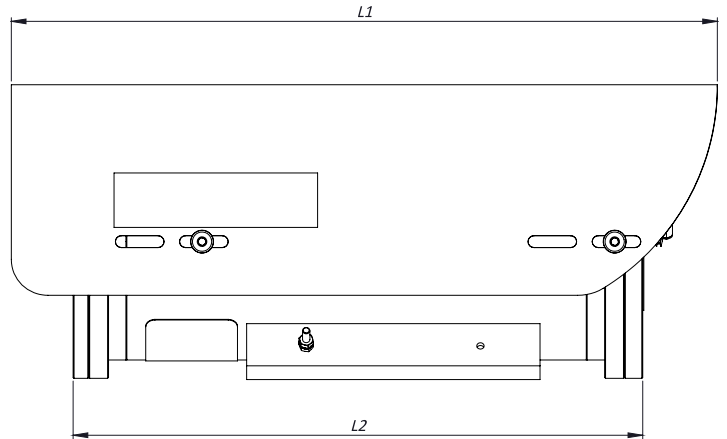
EXPLOSION PROOF FIXED CAMERA STATION

DIMENSIONS

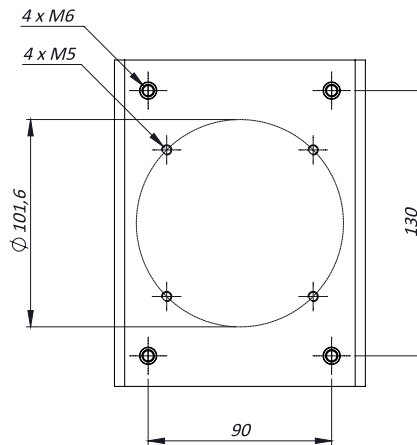
FRONT VIEW



SIDE VIEW



MOUNTING PATTERN



MAX EXTERNAL LENGTH

Model	L1 [mm]	L2 [mm]
EXF129TBCL-C2M	510	434
EXF129WRTBCL-C2L	630	560

For further technical data of Bosch cameras and lenses, please visit the official Bosch Security website. Bosch, its logos and emblems are registered trademarks of Robert Bosch GmbH.

Dimensions in millimetres – Tolerances according QMS – Design and products specifications subject to change without notice – rev. 20211104