

TECNOVIDEO

CCTV SYSTEMS AND ACCESSORIES

EXPTZTV4 SERIES

EXPLOSIONPROOF ULTRA HD PTZ CAMERA STATION



HAZARDOUS AREA

- ATEX/IECEx PTZ CAMERA FOR HAZARDOUS LOCATIONS
- ULTRA HD 4K CAMERA, 30FPS, 22x AUTOFOCUS OPTICAL ZOOM
- AISI316L STAINLESS STEEL CONSTRUCTION
- OPTIONAL BUILT-IN FIBER MEDIA CONVERTER
- OPTIONAL BUILT-IN 230VAC POWER SUPPLY
- SUPPORTS 802.1X and SNMP (V1-3)



ONVIF® | GST

TECHNICAL SPECIFICATIONS

GENERAL & MECHANICAL

Dimensions	See drawings next page
Operating Temperature	-40° +60°C (-40° +140° F)
Construction	AISI316L Stainless Steel
Finish	Electro-polished
Mounting	4x Ø11 on 195 PCD
Cable entries	1x M25x1,5 cable entry
Pan Angle	360° (continuous rotation)
Pan Speed	0 – 36°/second
Pan Torque	80Nm
Tilt Angle	180° (+/-90°)
Tilt Speed	0 – 18°/second
Tilt Torque	107Nm
Rotation angle	Electronically adjustable limit switches
Backlash	<0,1°
Max preset accuracy	0.04°
Weight	Unit: 33,5kg / Package: 37,5kg

ELECTRICAL

Thermostatically controlled heater	T[°C] ON = 12 ± 4°C, T[°C] OFF = 20 ± 3°C
Supply voltage	24VAC, 115VAC, 230VAC (+/-10%)
Power consumption	95W MAX

VIDEO/CAMERA

Sensor	1/1.8" Progressive CMOS, 4K resolution (3864x2180)
Compression	H.265/H.264/MJPEG
Streaming	Up to 4 individually configurable streams, configurable resolution/frame rate/bandwidth LBR/VBR/CBR in H.265/H.264
Frame Rate	H.265 HDR 4K @30fps + d1 @30fps, H.264 HDR 4K @30fps + d1 @30fps, MJPEG 1080p @30fps Color: 0.04 lux, B/W: 0.002 lux
Sensitivity	1~1/10000 sec.
Shutter Speed	WDR (>120dB)/HDR
Dynamic range	22x Optical Zoom Auto Focus, focal Length 6.4-138.5 mm
Lens	Color, Brightness, Sharpness, Contrast, White Balance, Exposure Control, 2DNR, 3DNR, NR by Motion, Masking, Text Overlay
Image settings	External Input, Analytics, Network Failure Detection, Periodical Event, Manual Trigger
Event Triggers	

NETWORK

Interface	10/100/1000 Mbps Ethernet
Security	User Authentication/ HTTPS/ IP Filter/ IEEE 802.1x
ONVIF	ONVIF profile G/S/T compliant
Protocols	ARP, PPPoE, IPv4/v6, ICMP, IGMP, QoS, TCP, UDP, DHCP, UPnP, SNMP, SMTp, RTP, RTSP, HTTP, HTTPS, FTP, NTP

CERTIFICATIONS

Ingress Protection Rating	EN60529 (IP66/IP67) ⊕ II 2 G Ex db op pr IIC T6 Gb -40°C ≤ Tamb ≤ +60°C ⊕ II 2 D Ex tb IIIC T85°C Db -40°C ≤ Tamb ≤ +60°C ⊕ II 2 G Ex db op pr IIB T5 Gb -40°C ≤ Tamb ≤ +75°C ⊕ II 2 D Ex tb IIIC T100°C Db -40°C ≤ Tamb ≤ +75°C
Vibrations	EN/IEC60068-2-6; EN/IEC60068-2-27
ATEX Standards	EN60079-0; EN60079-1; EN60079-28; EN60079-31
IECEx Standards	IEC60079-0; IEC60079-1; IEC60079-28; IEC60079-31
EMC	EN50130-4; EN55032; EN55035; EN/IEC61000-3-2; EN61000-3-3; EN/IEC61000-6-2; EN/IEC61000-6-4
LVD	EN60950-1; EN60950-22
RoHS	2011/65/EU
WEEE	2012/19/EU

MODELS

EXPTZTV4-CR/24	PTZ camera station, 24VAC
EXPTZTV4-CR/115	PTZ camera station, 115VAC
EXPTZTV4-CR/230	PTZ camera station, 230VAC
EXPTZTV4FO-CR/24	PTZ camera station with SM FO Media converter, 24VAC
EXPTZTV4FO-CR/115	PTZ camera station with SM FO Media converter, 115VAC
EXPTZTV4FO-CR/230	PTZ camera station with SM FO Media converter, 230VAC

All the above PTZ camera stations include sunshield, heater, integrated wiper, a built-in telemetry receiver, variable speed motors, 1x M25x1,5 cable entry on a base mount junction box.

PRE-ASSEMBLED CABLE TAILS

EXACCTF5	5 meters armoured composite cable tail (power, CAT5e, data, fiber optic) with 2x M25 barrier nickel plated brass glands Fiber termination: SC
EXACCTF10	10 meters armoured composite cable tail (power, CAT5e, data, fiber optic) with 2x M25 barrier nickel plated brass glands Fiber termination: SC

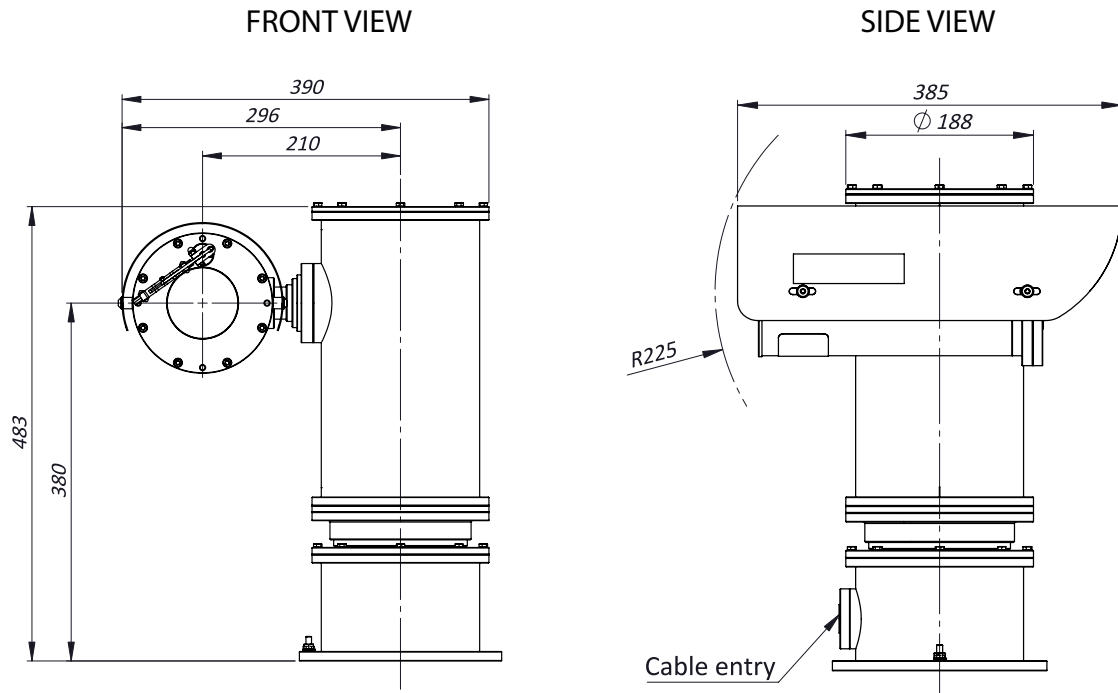
ACCESSORIES

EXSSBKPTZ	Wall mounting bracket
------------------	-----------------------

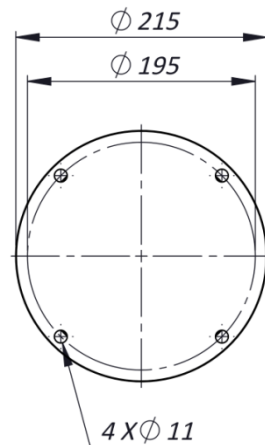
www.tecnovideoctv.com

Tecnovideo S.r.l. - Via A. De Gasperi, 3 36030 Villaverla (VI) ITALY - Tel. +39.0445.350444 - info@tecnovideoctv.com

DIMENSIONS



MOUNTING PATTERN



The unit cannot be installed upside-down nor horizontally