

TECNOVIDEO

CCTV SYSTEMS AND ACCESSORIES

EXPTZTS02 SERIES

EXPLOSIONPROOF PTZ CAMERA STATION

HAZARDOUS AREA

- ATEX/IECEX PTZ CAMERA FOR HAZARDOUS LOCATIONS
- POWERED BY **SONY FCB-EV7520A**, DAY/NIGHT FULL HD, 30X OPTICAL ZOOM
- AISI316L STAINLESS STEEL CONSTRUCTION
- CERTIFICATION TEMPERATURE -40°C +75°C
- OPTIONAL BUILT-IN FIBER MEDIA CONVERTER
- OPTIONAL BUILT-IN 115VAC or 230VAC POWER SUPPLY



SONY



ONVIF | S



TECHNICAL SPECIFICATIONS

GENERAL & MECHANICAL

| | |
|------------------------------|--|
| Dimensions | See drawings next page |
| Operating Temperature | -20°C +60°C, peak +75°C (-4°F +140°F, +167°F peak) |
| Construction | AISI316L Stainless Steel |
| Finish | Electro-polished |
| Mounting | 4x Ø11 on 195 PCD |
| Cable entries | 1x M25x1,5 cable entry |

| | |
|-------------------|-----------------------------------|
| Pan Angle | 360° continuous rotation |
| Pan Speed | 0 – 36°/second |
| Pan Torque | 20Nm (limited with safety device) |

| | |
|--------------------|-----------------------------------|
| Tilt Angle | 180° (+/-90°) |
| Tilt Speed | 0 – 18°/second |
| Tilt Torque | 20Nm (limited with safety device) |

| | |
|----------------------------|---------------------------|
| Rotation angle | Electronically adjustable |
| Backlash | <0,1° |
| Max preset accuracy | 0.04° |

| | |
|-------------------------|-----------------|
| Control protocol | Pelco D (RS485) |
|-------------------------|-----------------|

| | |
|---------------|--------------------------------|
| Weight | Unit: 36kg/ Gross weight: 41kg |
|---------------|--------------------------------|

ELECTRICAL

| | |
|---|---|
| Thermostatically controlled heater | T[°C] ON = 12 ± 4°C, T[°C] OFF = 20 ± 3°C |
|---|---|

| | |
|--------------------------|--------------------------------|
| Supply voltage | 24VAC, 115VAC, 230VAC (+/-10%) |
| Power consumption | 95W MAX |

CAMERA

| | |
|-----------------------|--|
| Sensor | 1/2.8-inch Sony Exmor R CMOS, 2.13MP |
| Compression | H.265/H.264/MJPEG |
| Streaming | 2 configurable streams |
| Resolution | Full HD (up to 1920x1080p@60fps) |
| Frame Rate | 60fps |
| Focus Settings | Auto Focus (Normal AF, Interval AF, Zoom Trigger AF [Sensitivity:normal, low]), Manual (Standard, Variable, Direct), One Push Trigger, Near Limit, Full Scan One Push Trigger, IR Correction |

| | |
|--------------------|--|
| Sensitivity | 0.1 lux (50IRE, 1/30s, ICR off, Slow Shutter off, High Sensitivity off) 0.006 lux (50IRE, ICR on, Slow Shutter off, High Sensitivity off) |
|--------------------|--|

| | |
|----------------------|--|
| Shutter speed | 1/1s to 1/10.000s, 22 steps |
| Gain | Auto/Manual/Max gain limit/High Sensitivity (0 to 50.0 dB, 28 steps) |

| | |
|----------------------|--|
| White Balance | Auto, ATW, Indoor, Outdoor, Outdoor Auto, Sodium Vapor Lamp Fix/Auto/outdoor, One-push, Manual |
|----------------------|--|

| | |
|----------------------|-----|
| Dynamic Range | WDR |
|----------------------|-----|

| | |
|------------------------|--|
| Noise Reduction | Yes 6 steps (2DNR 3DNR separate mode) |
| Lens | 30x Optical Zoom AF; 4.3-129mm; F1.6 – F4.7 12x Digital zoom (360x with optical zoom) SD/SDHC slot (card not supplied) |

Local Storage

NETWORK

| | |
|------------------|---|
| Interface | 10/100 Mbps Ethernet |
| Security | Password protection, IP address filtering, HTTPS encryption |
| ONVIF | ONVIF profile S compliant |
| Protocols | IPv4/v6, TCP, UDP, RTP, RTSP, HTTP, HTTPS, ICMP, FTP, SMTP, DHCP, PPPoE, UPnP, IGMP, SNMP, DDNS |

CERTIFICATIONS

| | |
|----------------------------------|---|
| Ingress Protection Rating | EN 60529 (IP66/IP67) ⊕ II 2 G Ex db op pr IIC T6 Gb -40°C ≤ Tamb ≤ +60°C ⊕ II 2 D Ex tb IIIC T85°C Db -40°C ≤ Tamb ≤ +60°C ⊕ II 2 G Ex db op pr IIB T5 Gb -40°C ≤ Tamb ≤ +75°C ⊕ II 2 D Ex tb IIIC T100°C Db -40°C ≤ Tamb ≤ +75°C |
| Vibrations | EN/IEC 60068-2-6; EN/IEC 60068-2-27 |
| ATEX Standards | EN 60079-0; EN 60079-1; EN 60079-28; EN 60079-31 |
| IECEX Standards | IEC 60079-0; IEC 60079-1; IEC 60079-28; IEC 60079-31 |
| EMC | EN 50130-4; EN 55035 ; EN/IEC 61000-6-2 ; EN/IEC 61000-6-4 |
| LVD | EN 60950-1; EN 60950-22 |
| RoHS | 2011/65/EU + 2015/863/EU (RoHS 3) |
| WEEE | 2012/19/EU |

MODELS

| | |
|-------------------------|----------------------------|
| EXPTZTS02-CR/24 | PTZ camera station, 24VAC |
| EXPTZTS02-CR/115 | PTZ camera station, 115VAC |
| EXPTZTS02-CR/230 | PTZ camera station, 230VAC |

All the above PTZ models include sunshield and heater, a built-in telemetry receiver, variable speed motors, fixed cable entry 1x M25x1,5 on a base mount junction box.
Available upon request: Built-in Fiber Media Converter

PRE-ASSEMBLED CONDUIT/CABLE TAILS

| | |
|------------------|---|
| EXACCTF3 | 3 meters armored composite cable tail (power, CAT5e, data, fiber optic) with 2x M25 barrier nickel plated brass glands Fiber termination: SC |
| EXACCTF5 | 5 meters armored composite cable tail (power, CAT5e, data, fiber optic) with 2x M25 barrier nickel plated brass glands Fiber termination: SC |
| EXACCTF10 | 10 meters armored composite cable tail (power, CAT5e, data, fiber optic) with 2x M25 barrier nickel plated brass glands Fiber termination: SC |

ACCESSORIES

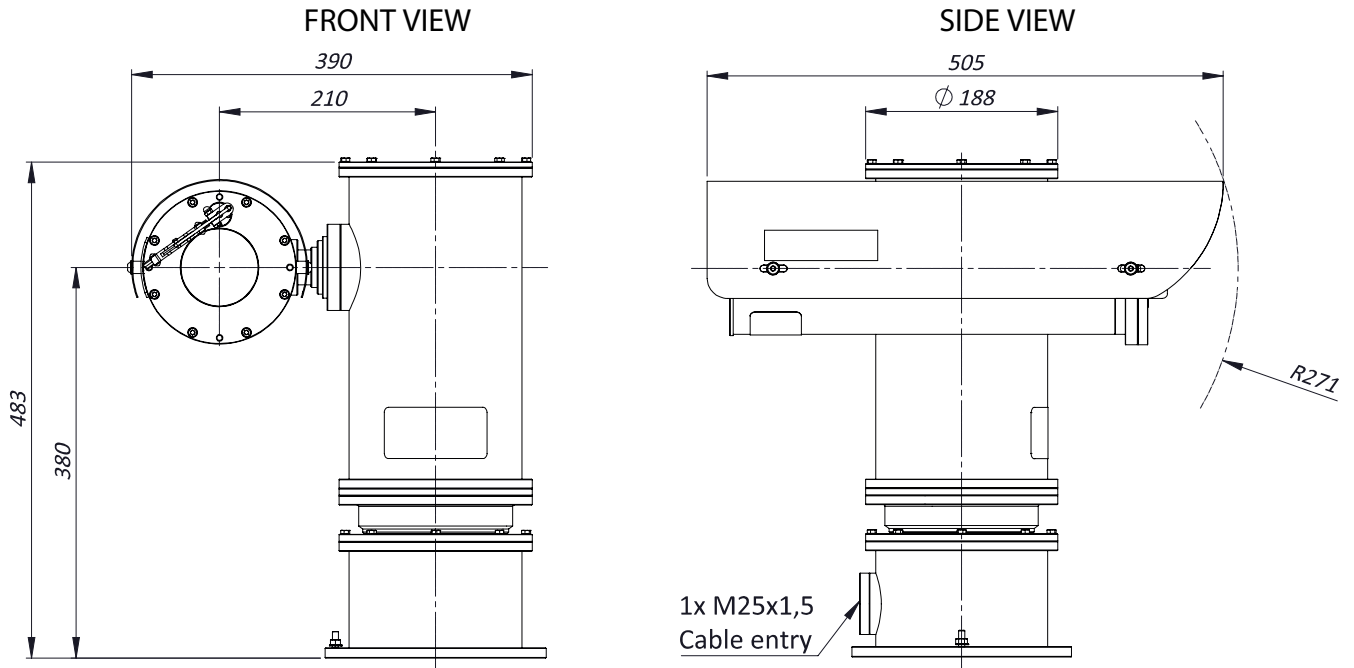
| | |
|---------------|-----------------------|
| SSBK-L | Wall mounting bracket |
|---------------|-----------------------|

www.tecnovideoocctv.com

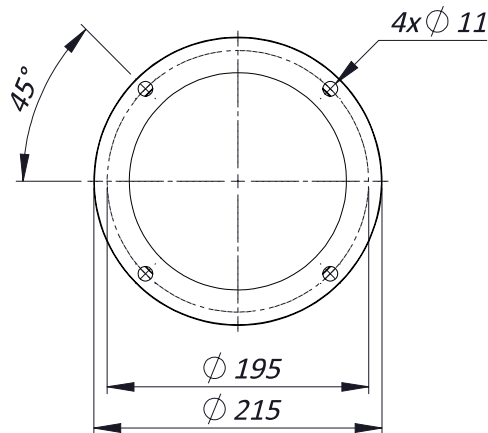
Tecnovideo S.r.l. - Via A. De Gasperi, 3 36030 Villaverla (VI) ITALY - Tel. +39.0445.350444 - info@tecnovideoocctv.com

EXPLOSIONPROOF PTZ CAMERA STATION

DIMENSIONS



MOUNTING PATTERN



The unit cannot be installed upside-down nor horizontally

This is only an example of integration of SONY® camera in Tecnovideo products.
SONY® Trademark and company logos, marks, product names and emblems are registered trademarks and belong to SONY® Corporation.

Dimensions in millimetres – Tolerances according QMS – Design and products specifications subject to change without notice – rev. 20210503