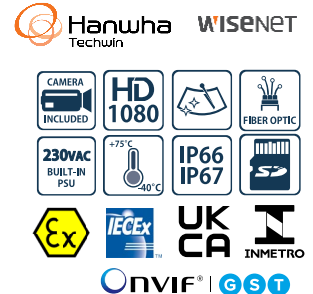


## EXPTZTH02 SERIES

EXPLOSIONPROOF PTZ CAMERA STATION

HAZARDOUS AREA

- ATEX/IECEX/UKCA/INMETRO PTZ CAMERA FOR HAZARDOUS LOCATIONS
- POWERED BY **WISENET XNZ-L6320**, DAY/NIGHT FULL HD, 32X OPTICAL ZOOM
- AISI316L STAINLESS STEEL CONSTRUCTION
- CERTIFICATION TEMPERATURE -40°C +75°C
- OPTIONAL BUILT-IN FIBER MEDIA CONVERTER
- OPTIONAL BUILT-IN 115VAC or 230VAC POWER SUPPLY



### TECHNICAL SPECIFICATIONS

#### GENERAL & MECHANICAL

|                              |                                     |
|------------------------------|-------------------------------------|
| <b>Dimensions</b>            | See drawings next page              |
| <b>Operating Temperature</b> | -20° +60°C (-4° +140° F)            |
| <b>Construction</b>          | AISI316L Stainless Steel            |
| <b>Finish</b>                | Electro-polished                    |
| <b>Mounting</b>              | 4x Ø11 on 195 PCD                   |
| <b>Cable entries</b>         | 1x M25x1,5 cable entry              |
| <b>Wiper</b>                 | Yes                                 |
| <b>Pan Angle</b>             | 360° (continuous rotation)          |
| <b>Pan Speed</b>             | 0 – 40°/second                      |
| <b>Pan Torque</b>            | 20Nm (limited with safety device)   |
| <b>Tilt Angle</b>            | 180° (+/-90°)                       |
| <b>Tilt Speed</b>            | 0 – 20°/second                      |
| <b>Tilt Torque</b>           | 20Nm (limited with safety device)   |
| <b>Rotation angle</b>        | Electronically adjustable           |
| <b>Backlash</b>              | <0,1°                               |
| <b>Max preset accuracy</b>   | 0.04°                               |
| <b>Control protocol</b>      | Pelco D (RS485)                     |
| <b>Weight</b>                | Unit: 34,5kg / Gross weight: 39,5kg |

#### ELECTRICAL

|   |   |
|---|---|
| <b>Thermostatically controlled heater</b> | T[°C] ON = 12 ± 4°C, T[°C] OFF = 20 ± 3°C |
| <b>Supply voltage</b>                     | 24VAC, 115VAC, 230VAC (+/-10%)            |
| <b>Power consumption</b>                  | 95W MAX                                   |

#### VIDEO/CAMERA

|                           |  |
|---------------------------|--|
| <b>Sensor</b>             | 1/2.8" 2MP CMOS  |
| <b>Compression</b>        | H.265/H.264: Main/Baseline/High, MJPEG   |
| <b>Streaming</b>          | Unicast(20 users) / Multicast<br>Multiple streaming(Up to 10 profiles)   |
| <b>Resolution</b>         | 1920x1080  |
| <b>Frame Rate</b>         | H.265/H.264 : Max. 60fps/50fps(60Hz/50Hz)  |
| <b>Iris</b>               | DC auto iris   |
| <b>Sensitivity</b>        | Color: 0.05 lux(F1.6, 1/30sec)<br>B/W: 0.005 lux(F1.6, 1/30sec)  |
| <b>Shutter Speed</b>      | Minimum / Maximum / Anti flicker (2~1/12,000sec)   |
| <b>White Balance</b>      | ATW / AWC / Manual / Indoor / Outdoor  |
| <b>Wide Dynamic range</b> | WDR  |
| <b>Noise Reduction</b>    | SSNR V   |
| <b>Event Triggers</b>     | Analytics, Network disconnect, Alarm input   |
| <b>Analytics</b>          | Defocus detection, Directional detection, Fog detection, Face detection, Motion detection, Digital auto tracking, Appear/Disappear, Enter/Exit, Loitering, Tampering, Virtual line |
| <b>Lens</b>               | 4.44~142.6mm(32x) motorized, F1.6(Wide) ~ F4.4(Tele)   |
| <b>Local Storage</b>      | Micro SD/SDHC/SDXC 1slot 256GB   |
| <b>Network Storage</b>    | NAS  |

#### NETWORK

|                  |                     |
|------------------|---------------------|
| <b>Interface</b> | RJ-45(10/100BASE-T) |
|------------------|---------------------|

#### Security

HTTPS(SSL) Login Authentication, Digest Login Authentication.

IP Address Filtering, User access Log, 802.1X Authentication(EAP-TLS, EAP-LEAP)

#### Onvif Protocols

ONVIF Profile S/G/T

IPv4, IPv6, TCP/IP, UDP/IP, RTP(UDP), RTP(TCP), RTSP, NTP, HTTP, HTTPS, SSL/TLS, DHCP, FTP, SMTP, ICMP, IGMP, SNMPv1/v2c/v3(MIB-2), ARP, DNS, DDNS, QoS, PIM-SM, UPnP, Bonjour, LLDP, SRTP

#### CERTIFICATIONS

##### Ingress Protection Rating

EN 60529 (IP66/IP67)  
 ☉ II 2 G Ex db op pr IIC T6 Gb -40°C ≤ Tamb ≤ +60°C  
 ☉ II 2 D Ex tb IIIC T85°C Db -40°C ≤ Tamb ≤ +60°C  
 ☉ II 2 G Ex db op pr IIB T5 Gb -40°C ≤ Tamb ≤ +75°C  
 ☉ II 2 D Ex tb IIIC T100°C Db -40°C ≤ Tamb ≤ +75°C

##### Vibrations

##### ATEX/UKEX Standards

##### IECEX Standards

##### INMETRO

##### EMC

EN/IEC 60068-2-6; EN/IEC 60068-2-27  
 EN60079-0; EN60079-1; EN60079-28; EN60079-31  
 IEC 60079-0; IEC 60079-1; IEC 60079-28; IEC 60079-31  
 ABNT NBR IEC 60079-0; ABNT NBR IEC 60079-1;  
 ABNT NBR IEC 60079-28; ABNT NBR IEC 60079-31

##### LVD

##### RoHS

##### WEEE

EN 50130-4; EN 55035 ; EN/IEC 61000-6-2 ;  
 EN/IEC 61000-6-4  
 EN 60950-1; EN 60950-22  
 2011/65/EU + 2015/863/EU (RoHS 3)  
 2012/19/EU

#### MODELS

|                           |   |
|---------------------------|---|
| <b>EXPTZTH02-CR/24</b>    | PTZ camera station, 24VAC                         |
| <b>EXPTZTH02-CR/115</b>   | PTZ camera station, 115VAC                        |
| <b>EXPTZTH02-CR/230</b>   | PTZ camera station, 230VAC                        |
| <b>EXPTZTH02FO-CR/24</b>  | PTZ camera station, SM FO media converter, 24VAC  |
| <b>EXPTZTH02FO-CR/115</b> | PTZ camera station, SM FO media converter, 115VAC |
| <b>EXPTZTH02FO-CR/230</b> | PTZ camera station, SM FO media converter, 230VAC |

All the above PTZ models include WISENET XNZ-L6320 camera, sunshield, heater, telemetry receiver, variable speed motors.

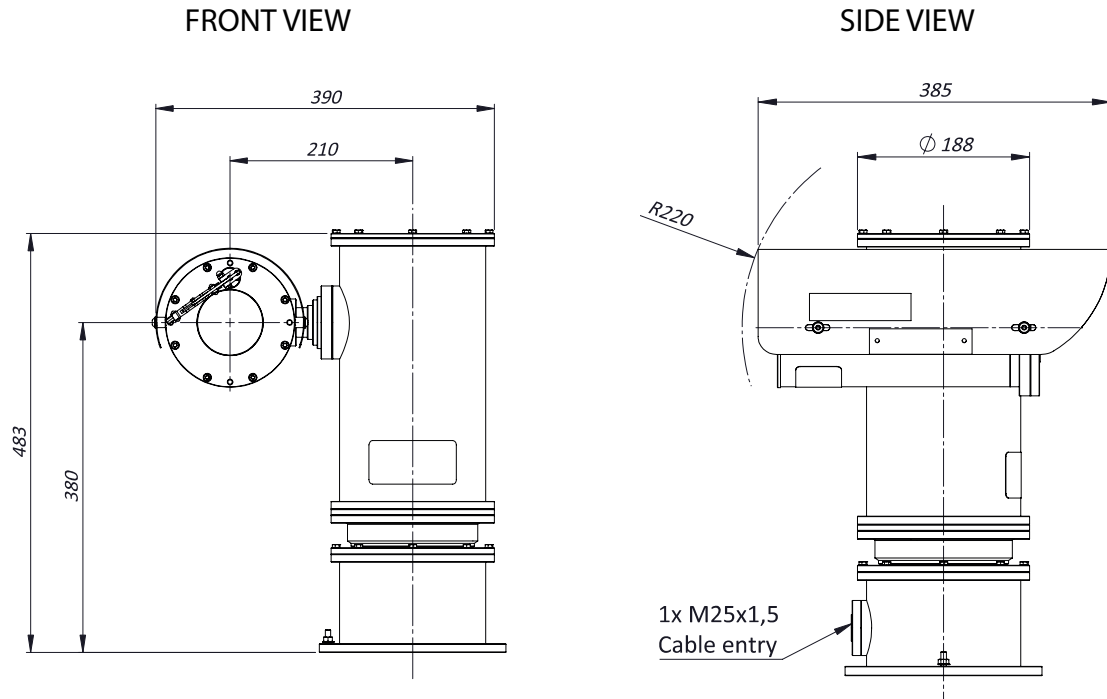
#### PRE-ASSEMBLED CONDUIT TAILS

|                    |  |
|--------------------|--|
| <b>EXACCTF3-B</b>  | 3 meters armored composite cable tail (power, Ethernet, data) with 2x M25 barrier nickel plated brass glands.                            |
| <b>EXACCTF3-D</b>  | 3 meters armored composite cable tail (power, data, fiber optic) with 2x M25 barrier nickel plated brass glands. Fiber termination: SC.  |
| <b>EXACCTF5-B</b>  | 5 meters armored composite cable tail (power, Ethernet, data) with 2x M25 barrier nickel plated brass glands.                            |
| <b>EXACCTF5-D</b>  | 5 meters armored composite cable tail (power, data, fiber optic) with 2x M25 barrier nickel plated brass glands. Fiber termination: SC.  |
| <b>EXACCTF10-B</b> | 10 meters armored composite cable tail (power, Ethernet, data) with 2x M25 barrier nickel plated brass glands.                           |
| <b>EXACCTF10-D</b> | 10 meters armored composite cable tail (power, data, fiber optic) with 2x M25 barrier nickel plated brass glands. Fiber termination: SC. |

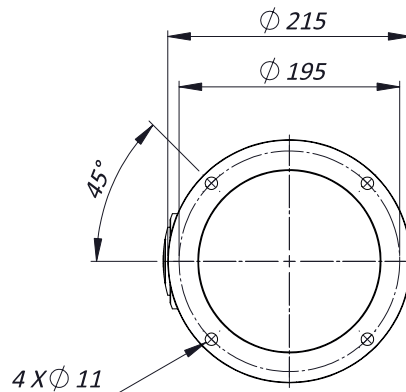
#### ACCESSORIES

|               |                       |
|---------------|-----------------------|
| <b>SSBK-L</b> | Wall mounting bracket |
|---------------|-----------------------|

## DIMENSIONS



## MOUNTING PATTERN



*The unit cannot be installed upside-down nor horizontally*

*This is only an example of integration of Wisenet camera in Tecnovideo products.  
Hanwha Trademark and company logos, marks, product names and emblems are registered trademarks and belong to Hanwha Corporation.*