

TECNOVIDEO

CCTV SYSTEMS AND ACCESSORIES

EXPTZTA01 SERIES

EXPLOSIONPROOF PTZ CAMERA STATION

HAZARDOUS AREA

- ATEX/IECEX PTZ CAMERA FOR HAZARDOUS LOCATIONS
- POWERED BY **AVIGILON 2.0C-H5A-B1**, DAY/NIGHT FULL HD, 18X OPTICAL ZOOM
- AISI316L STAINLESS STEEL CONSTRUCTION
- CERTIFICATION TEMPERATURE -40°C +75°C
- OPTIONAL BUILT-IN FIBER MEDIA CONVERTER
- OPTIONAL BUILT-IN 115VAC or 230VAC POWER SUPPLY

TECHNICAL SPECIFICATIONS

GENERAL & MECHANICAL

Dimensions	See drawings next page
Operating Temperature	-20°C +60°C (-4° +140°F)
Construction	AISI316L Stainless Steel
Finish	Electro-polished
Mounting	4x Ø11 on 195 PCD
Cable entries	1x M25x1,5 cable entry
Wiper	Yes
Pan Angle	360° (continuous rotation)
Pan Speed	0 – 36°/second
Pan Torque	20Nm (limited with safety device)
Tilt Angle	180° (+/-90°)
Tilt Speed	0 – 18°/second
Tilt Torque	20Nm (limited with safety device)
Rotation angle	Electronically adjustable
Backlash	<0,1°
Max preset accuracy	0.04°
Control protocol	Pelco D (RS485)
Weight	Unit: 33,5kg / Gross weight: 37,5kg

ELECTRICAL

Thermostatically controlled heater	T[°C] ON = 12 ± 4°C, T[°C] OFF = 20 ± 3°C
Supply voltage	24VAC, 115VAC, 230VAC (+/-10%)
Power consumption	95W MAX

VIDEO/CAMERA

Sensor	1/2.8" progressive scan CMOS
Compression	H.264 HDSM SmartCodec, H.265 HDSM SmartCodec, Motion JPEG
Streaming	Multi-stream H.264, Multi-stream H.265, Motion JPEG
Resolution	1920x1080
Frame Rate	(50 Hz/60 Hz): 25 fps/30 fps
Iris	Automatic, Open, Closed
Sensitivity	0.039 lux in color mode, 0.02 lux in monochrome mode
Shutter Speed	Automatic, Manual (1/7 to 1/8196 sec)
White Balance	Automatic, Manual
Dynamic range	WDR
Noise Reduction	3D Noise Reduction
Event Triggers	Analytics, Tamper Detection, Objects in Area, Object Loitering, Objects Crossing Beam, Object Appears or Enters Area, Direction Violated

Analytics

NEXT-GENERATION VIDEO ANALYTICS: Expanded object classifications and more accurate detection in crowded scenes so you can detect and act faster.

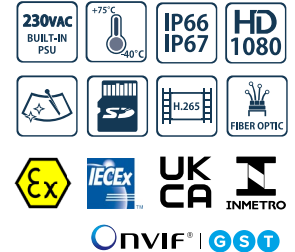
4.7~84.6mm(18x) motorized microSD/microSDHC/microSDXC slot

NETWORK

Interface	100BASE-TX, RJ45 Connector, CAT5e Cabling
Security	Password protection, HTTPS encryption, digest authentication, WS authentication, user access log, 802.1x port based authentication



avigilon™



ONVIF Protocols

ONVIF compliance version 1.02, 2.00, Profile S, Profile T, Profile G IPv6, IPv4, HTTP, HTTPS, SOAP, DNS, NTP, RTSP, RTCP, RTP, TCP, UDP, IGMP, ICMP, DHCP, Zeroconf, ARP, RTP/UDP, RTP/UDP multicast, RTP/RTSP/TCP, RTP/RTSP/HTTP/TCP, RTP/RTSP/HTTPS/TCP, HTTP, SNMP v2c, SNMP v3

CERTIFICATIONS

Ingress Protection Rating

EN 60529 (IP66/IP67)
⊕ II 2 G Ex db op pr IIC T6 Gb -40°C ≤ Tamb ≤ +60°C
⊕ II 2 D Ex tb IIIC T85°C Db -40°C ≤ Tamb ≤ +60°C
⊕ II 2 G Ex db op pr IIB T5 Gb -40°C ≤ Tamb ≤ +75°C
⊕ II 2 D Ex tb IIIC T100°C Db -40°C ≤ Tamb ≤ +75°C

Vibrations

ATEX/UKEX Standards

IECEX Standards

INMETRO

EMC

LVD

RoHS

WEEE

EN/IEC 60068-2-6; EN/IEC 60068-2-27
EN60079-0; EN60079-1; EN60079-28; EN60079-31
IEC 60079-0; IEC 60079-1; IEC 60079-28; IEC 60079-31
ABNT NBR IEC 60079-0; ABNT NBR IEC 60079-1;
ABNT NBR IEC 60079-28; ABNT NBR IEC 60079-31
EN 50130-4; EN 55035 ; EN/IEC 61000-6-2 ; EN/IEC 61000-6-4
EN 60950-1; EN 60950-22
2011/65/EU + 2015/863/EU (RoHS 3)
2012/19/EU

MODELS

EXPTZTA01-CR/24	PTZ camera station, 24VAC
EXPTZTA01-CR/115	PTZ camera station, 115VAC
EXPTZTA01-CR/230	PTZ camera station, 230VAC
EXPTZTA01FO-CR/24	PTZ camera station, 5M FO media converter, 24VAC
EXPTZTA01FO-CR/115	PTZ camera station, 5M FO media converter, 115VAC
EXPTZTA01FO-CR/230	PTZ camera station, 5M FO media converter, 230VAC

All the above PTZ models include AVIGILON 2.0C-H5A-B1 camera, sunshield, heater, telemetry receiver, variable speed motors.

PRE-ASSEMBLED CONDUIT TAILS

EXACCTF3-B	3 meters armoured composite cable tail (power, Ethernet, data) with 2x M25 barrier nickel plated brass glands.
EXACCTF3-D	3 meters armoured composite cable tail (power, data, fiber optic) with 2x M25 barrier nickel plated brass glands. Fiber termination: SC.
EXACCTF5-B	5 meters armoured composite cable tail (power, Ethernet, data) with 2x M25 barrier nickel plated brass glands.
EXACCTF5-D	5 meters armoured composite cable tail (power, data, fiber optic) with 2x M25 barrier nickel plated brass glands. Fiber termination: SC.
EXACCTF10-B	10 meters armoured composite cable tail (power, Ethernet, data) with 2x M25 barrier nickel plated brass glands.
EXACCTF10-D	10 meters armoured composite cable tail (power, data, fiber optic) with 2x M25 barrier nickel plated brass glands. Fiber termination: SC.

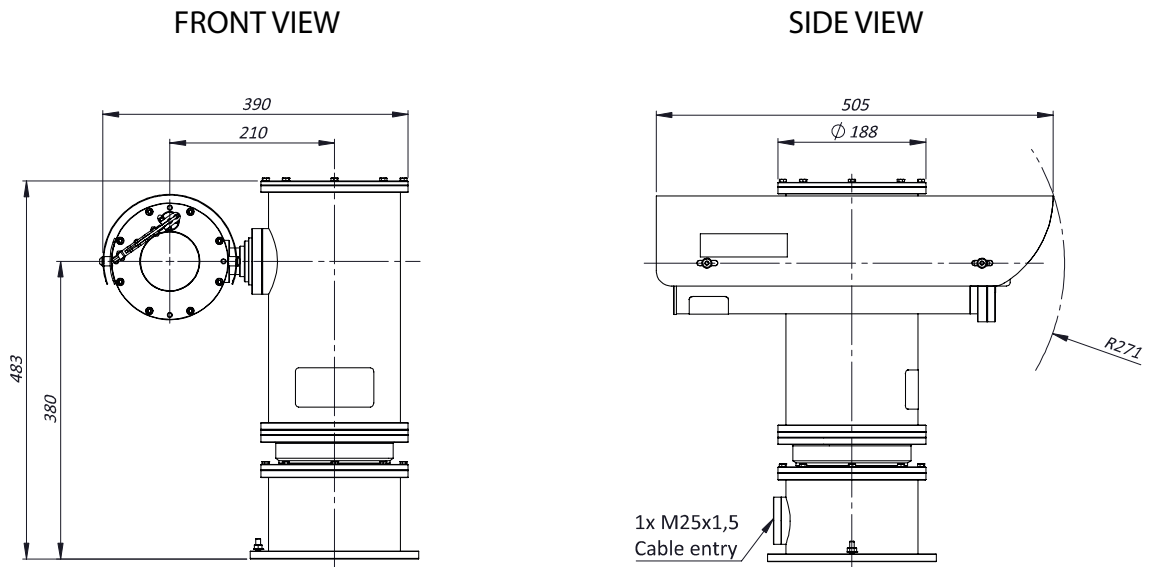
ACCESSORIES

SSBK-L	Wall mounting bracket
---------------	-----------------------

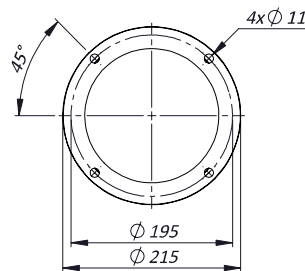
www.tecnovideoocctv.com

EXPLOSIONPROOF PTZ CAMERA STATION

DIMENSIONS



MOUNTING PATTERN



MAX EXTERNAL LENGTH

Model	L1 [mm] Height	L2 [mm] Width
EXPTZTA01-CR/24	483	505
EXPTZTA01-CR/115	483	505
EXPTZTA01-CR/230	483	505
EXPTZTA01FO-CR/24	483	505
EXPTZTA01FO-CR/115	483	505
EXPTZTA01FO-CR/230	483	505

The unit cannot be installed upside-down nor horizontally

*This is only an example of integration of Avigilon camera in Tecnovideo products.
Avigilon Trademark and company logos, marks, product names and emblems are registered trademarks and belong to Avigilon Corporation.*